

A FAMILY COMPANY MANUFACTURING IN THE USA SINCE 1969

Glastender®

PRICE LIST 2025



GLASSWASHERS | FOODSERVICE FABRICATION AND REFRIGERATION | BEER SYSTEMS

Terms and Conditions

Prices:

All prices are LIST. Applicable taxes will be added.

Quotations:

Unless otherwise stated, quotations are effective for 30 days only.

Acceptance:

All orders are subject to acceptance by Glastender, Inc.'s headquarters in Saginaw, Michigan. Possession of the Product Directory and Price List is not an offer to sell.

Shipments:

F.O.B. factory in Saginaw, Michigan. Freight terms are Third Party or Collect if shipped directly to you. Prepay and Add to Invoice freight terms are available upon request. The approximate shipping weights of all products are listed with the prices. Partial shipments will be made unless otherwise specified by the customer. Surface freight classifications are:

- GT-24/GT-30/GW24 Glasswashers - Class 175
- GT-18 Glasswashers - Class 175
- All Underbar Equipment - Class 175
- Bar Die Orders – Class 250
- Portable Bars - Class 175
- Remote refrigerators (i.e., no compressor) or dry storage back bar equipment - Class 175
- Self-contained refrigeration equipment - Class 150
- Ice Display Units (IDU and GDU) - Class 175
- Lighted Liquor Displays - Class 175
- Beer line chillers and beer towers (beverage dispensing equipment) - Class 175
- Bottle Disintegration System - Class 150
- Ice Cream Freezers - Class 125

All small items are evaluated to see the most cost effective means for shipment. Many small items ship via UPS or FedEx; however, when dimensional weight is excessive, LTL carriers are the most cost effective choice. Spare parts orders received before 1:00 PM EST can usually be shipped the same day.

The order department is happy to assist with routing or shipping questions.

Payment Terms:

Cash should be included with all orders unless credit terms have been arranged. To establish credit, banking and trade references are required. A convenient credit application is available upon request. Payment via credit card is not our normal means of receiving payment. Visa and MasterCard will be accepted, but must be charged at the time of shipment. In addition, a payment via credit card for orders totaling more than \$500 will incur a 3% convenience fee on the total transaction amount.

Delivery:

The majority of equipment is manufactured to order and typically ships within three to six weeks after complete order information is received by the factory. In-stock equipment typically ships within two to three days of the factory receiving complete order information.

Returns:

Items specified as "Manufactured to Order" are NOT returnable. A Return Authorization number must be issued by the factory in advance for any items that are returnable. The number MUST be noted on the outside of the returned package. Returns must be received within 90 days of the issue date. Shipping charges must be prepaid. A minimum 20% restocking charge will be applied to all authorized returns if received in new, unused condition in the original packaging.

The above conditions apply to spare part returns, except spare part returns must be received within 30 days of original shipment for electronic or electrical parts or within 90 days for all other parts.

Loss or Damage:

For customer routed shipments, Glastender, Inc. is not responsible for any loss, damage, or delay of merchandise during shipment. Such transit claims must be filed with the carrier. Merchandise must be examined on arrival. If shortages occur, Glastender,

Inc. must be notified in writing within five (5) days of delivery to honor any shortage claim. Glastender will assume responsibility for freight claims on Prepay and Add shipments but the customer must inspect freight and note any damage upon receipt. Failure to do so may result in losses at the customer's expense.

Custom Orders:

Custom orders must be paid in advance and are not subject to cancellation.

Laminates:

Some products include common, readily available plastic laminates of the customer's selection. There may be an additional charge if uncommon varieties are ordered.

Glastender Freight Program

Program Conditions

Glastender, Inc. equipment pricing includes standard freight costs under the following conditions:

- Equipment order is for a minimum of \$2,500, shipped to a single destination at the same time.
- Freight carrier is selected by Glastender, Inc. and may vary based on destination, transit times, performance history, customer service, or other factors.
- Shipping destination is within the continental United States and Canada. Non-continental or other international destinations are shipped to port of export.
- Combining equipment orders is allowed to reach the minimum order level if combined orders are shipped to the same destination at the same time.
- Equipment order terms of sale are FOB Saginaw MI / Freight Prepaid.
- Equipment returns are not covered.
- Parts orders do not qualify and will be charged shipping accordingly.

Customer Responsibilities

In addition to the program conditions listed above, the receiving customer must:

- Note all damage on the delivery receipt at the time of delivery.
- Open and inspect any items that look suspicious or raise concern, even if the carrier tells you it is not allowed.
- Refuse only the damaged items and keep the other items on the order.
- When in doubt, sign the delivery receipt as damaged.

The only way to hold the carrier liable is to sign the delivery as damaged.

Additional Fees

Additional carrier-related services and fees over and above standard freight costs are not covered. Such services and fees will be invoiced at the time of order or after the order has shipped.

Examples of additional fees include the following:

Split shipment	Cost difference between single shipment and split shipment
Lift gate	\$55 (Only available for items under 96" in total packaged length)
Inside delivery	\$100 per pallet/piece
Residential delivery	\$100
Limited access site	\$100
Expedited delivery	Difference from standard rate
Special delivery time	Carrier rate
Storage	Carrier rate
Re-delivery	Carrier rate
Re-consignment	Carrier rate
Other additional services not listed...	Carrier rate

Questions

For questions regarding the Glastender Freight Program, please contact our sales department:

- 989.752.4275 or orders@glastender.com

03/11/2025



Table of Contents



Bottle Disintegration System 1 - 2

Glasswashers 3 - 6

- GW24 Rotary Glasswasher • GD24HT High Temp Glasswasher • GT-18 Series Rotary Rack Glasswashers

Pass-Thru Cocktail Stations 7 - 12

- Assembly, Disassembly, and Complete Cocktail Stations



**Cocktail
Prep Cooler**
page 96

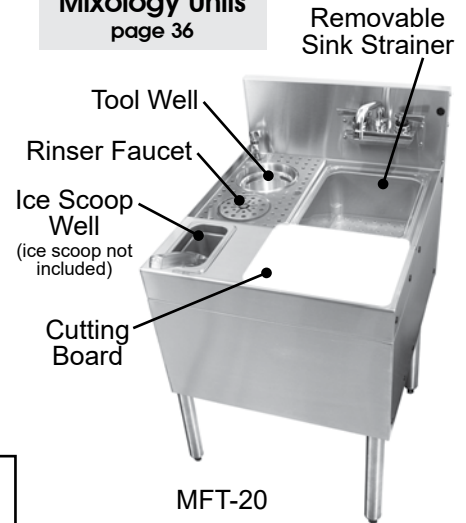
CPC24



**Craft Ice
Mobile Freezer**
page 151

FRM-2-C

Mixology Units
page 36



Removable Sink Strainer
Tool Well
Rinser Faucet
Ice Scoop Well
(ice scoop not included)
Cutting Board

MFT-20



Bar Fabrication - Main Line and Choice 13 - 70

- Portable Bars • Ice Bins • Soda Gun Holders • Soda Manifold Housing • Bottle Wells and Racks
- Speed Rails • Blender Stations • Drainboards • Cabinets • Sinks • Drink Rails • Rinser Faucets
- Liquor Steps • Mixology Units, Stations, Wells and Drink Rails • Dry Waste Chutes and Rails
- Ice Cream Freezers • All-In-One Stations • Tubing Chases • Beer Drainers • Modular Bar Die

Bar Refrigeration 71 - 122

- Bar Profile Coolers • Direct Draw Draft Beverage Towers • Low Profile Coolers • High Profile Coolers
- Cocktail Prep Cooler • Reach-In Freezers • Slide Top Coolers • Slide Top Mug Freezers • Ice Display Units
- Lighted Liquor Displays • Dry Storage Cabinets • Back Bar Glass Storage • Back Bar Liquor Displays

Beverage Dispensing 123 - 146

- Beer Line Chillers • Draft Beverage Towers

Kitchen Fabrication and Refrigeration 147 - 153

- Hand Sinks • Drop-In Units • Lettuce Crispers
- Countertop Merchandisers • Wall-Mount Refrigerators • Drop-In Ice Cream Freezers
- Mobile Ice Cream Freezers • Mobile Ice Baths • Specialty Ice Bins • Mobile Ice Bins • Wall Cabinets

Terms and Conditions Inside front cover

Warranty Inside back cover

Index 154 - 155

Spec Sheets specs.glastender.com

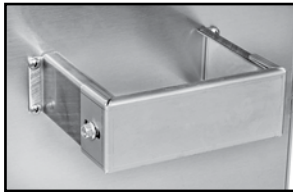
Increase your cash flow by decreasing your trash flow

Glastender's Bottle Disintegration System reduces the volume of glass bottle waste by as much as 85%, lowering your disposal fees and paying for itself over time. The BDS unit is easy to use and crushes a bottle in mere seconds, while being no louder than a standard blender.

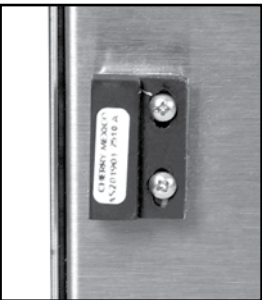
Bottle Disintegration



Multi-level baffle system on feed chute for safe operation and glass containment



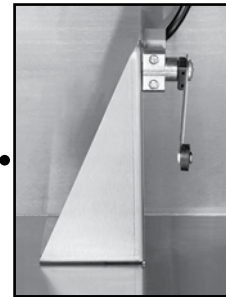
Bucket stop bar ensures bucket is fully seated when door is closed



Closed door safety sensor prevents operation when front door is open



Includes safety interlock switches



Bucket seating safety sensor prevents operation when the bucket is not in place

UP TO
85%
VOLUME
REDUCTION



From this to this

The 4-gallon bucket weighs approximately 43 pounds and holds approximately 4 cases of disintegrated long neck beer bottles when full

PRODUCT INFORMATION

(see BDS Spec Sheet for complete details)

STANDARD FEATURES:

- Reduces volume of glass bottle waste by as much as 85%
- Disintegrates beer, wine, and liquor bottles up to 4" in diameter and 14" in height
- The 4-gallon bucket holds approximately 43 lbs. when full and is accessible for emptying by opening the front door (two buckets included)
- Compact design fits easily under the bar or in a service station
- It takes mere seconds to crush a bottle and is no louder than a standard blender
- Stainless steel interior and exterior resists corrosion and is easy to keep clean
- Includes safety interlock switches to ensure safe operation. The unit shuts down and a red indicator light is illuminated if the front access door is open or the bucket is not in place.
- Multi-level baffle system on feed chute and gasket seal to maximize glass containment
- Green indicator light identifies when unit is running
- Easy operation - simply turn it on and push a bottle down the feed chute
- Includes locking casters so unit can be easily moved for cleaning



BDS

Bottle Disintegration



BDS with door open showing access to bucket

BDS

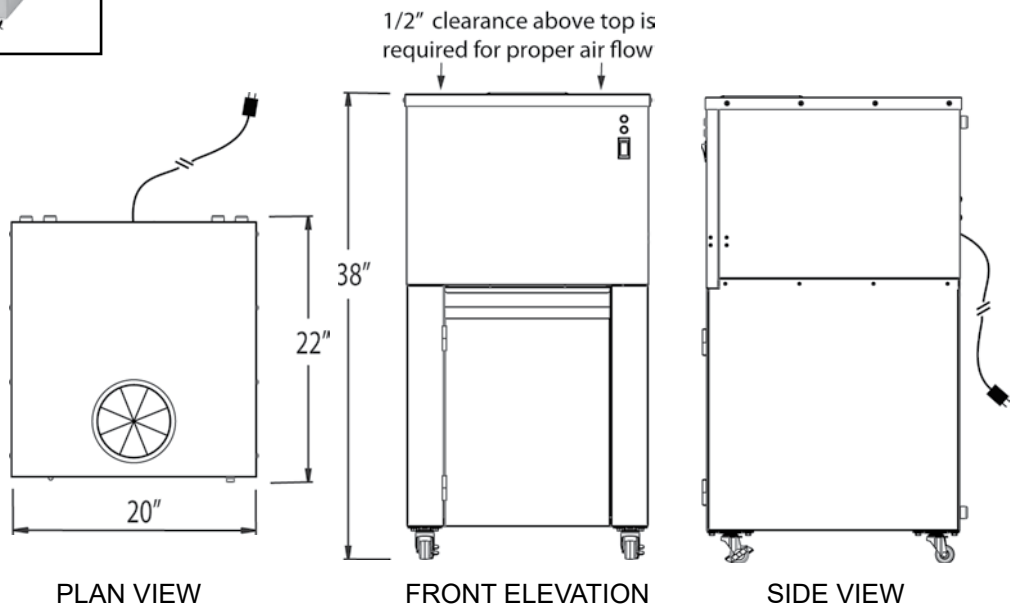
MODEL	LIST	WEIGHT	WIDTH	DEPTH	HEIGHT
BDS	\$7,951	185#	20"	22"	38"

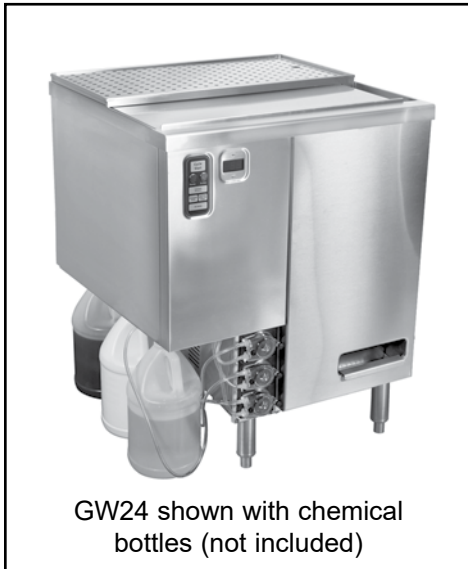
ACCESSORIES

MODEL	DESCRIPTION	LIST	WEIGHT
CE-BDS	Convert to 220V/50Hz or 220V/60Hz electrical	\$744	185#
14000053	Bucket (additional)	\$45	5#



14000053





GW24 shown with chemical bottles (not included)



GW24

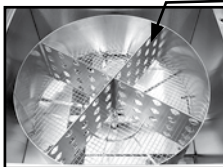
PRODUCT INFORMATION

(see GW24 Spec Sheet for complete details)

24" ROTARY GLASSWASHER

MODEL	LIST	WEIGHT	LENGTH	DEPTH
GW24	\$15,744	165#	24"	24"

Accessory 01001601 Rack Divider



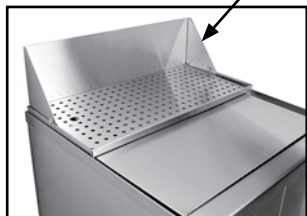
GW24 ACCESSORIES

MODEL	DESCRIPTION	LIST	WGT
01001500	Slide-out Chemical Bottle Rack	\$821	25#
01001564	Export transformer 220V/50Hz electrical NOTE: Eliminates side notch	\$2,516	30#
CWET-GW	Clip-on wet waste	\$482	10#
01001601	Rack divider, two-piece assembly	\$288	7#
01001602	Backsplash, clip-on	\$210	5#



Accessory 01001500 Chemical Bottle Rack

Accessory 01001602 Backsplash



Accessory 01001564 Export transformer 220V/50Hz electrical



Accessory CWET-GW



GD24HT



Glasswashers

PRODUCT INFORMATION
(see GD24HT Spec Sheet for complete details)

GD24HT HIGH TEMP GLASSWASHER				
MODEL	LIST	WEIGHT	LENGTH	DEPTH
GD24HT	\$19,883	281#	24"	24"

The GD24HT includes:

- One (1) peg rack
- One (1) combination rack



01001754

GD24HT ACCESSORIES		
MODEL	DESCRIPTION	LIST
01001754	Drain Water Tempering Kit	\$691

There are ten different GT-18 models to choose from.

The top of every GT-18 glasswasher is removable. The same base, which houses all the electrical and mechanical components, is used with all of the different top styles. The various tops are used in different situations to increase glasswasher throughput. A suffix is added to the GT-18 model number to specify a top different than the standard door type. The different models are pictured below:



GT-18
Front load door type



GT-18+1
Front-to-back
pass thru



Cocktail server view
with simulated bar
top and bar die



GT-18+1L
Front-to-side pass thru with left side
drain table (GT-18+1R with right side
drain table is also available)



GT-18+2
Side-to-side
pass thru



GT-18+2-IC
Side-to-side corner
pass thru

PRODUCT INFORMATION

(see GT-18, GT-18+1, GT-18+1L or R, GT-18+2, GT-18+2 Ext, GT-18+2-IC, and GT-18 Access Spec Sheets for complete details)

STANDARD FEATURES:

- Drive wheel and glass rack lift out for cleaning
- Two 16" diameter polypropylene racks included
- Spray box unlatches for easy cleaning and visual inspection - 15 spray nozzles have been engineered for maximum soil removal
- Digital temperature gauge built into switch panel
- Intelligent microprocessor control delays cycle start, up to two minutes, when incoming water is below 120°F (49°C)
- Automatic peristaltic metering pumps accurately dispense detergent, sanitizer and rinse aid
- Prime Switch for quick chemical priming
- 1/6 HP pump recirculates wash water and rinse water
- Fractional HP drive motor powers the belt driven rotary rack and includes built-in slip clutch

ELECTRICAL:

- 120V, single phase, 60Hz, 6-foot grounded cord and plug included

CAPACITY:

- 2 minute cycle, 70 second wash and 22 second rinse exposure
- 720 - 2-1/2" diameter or 360 - 3-1/4" diameter glasses per hour (maximum glass height 10" - including pitchers and wine carafes)

EXTENDED GT-18+2 MODELS

Extended GT-18+2 models have the drain table extended on one side of the glasswasher to hold more than one rack. This increases overall glasswasher throughput by allowing multiple racks of glassware to be pre-loaded for washing. The model number specifies the overall glasswasher length and the location of the extended drain table. For example, the GT-18+2-78L (pictured) is 78" long overall and has the left side drain table extended. Extended +2's are available in 78" and 90" overall lengths. The 78" models come with three racks and the 90" models come with four racks. A leg set is included under the extended drain table.



GT-18+2-78L with 01000708 glass rack holder

Glasswashers

ROTARY RACK GLASSWASHERS

MODEL	DESCRIPTION	LIST	WEIGHT	LENGTH	DRAIN TABLE
GT-18	Front load door type	\$13,567	145#	18"	N/A
GT-18+1	Front-to-back pass thru	\$14,619	155#	18"	Back
GT-18+1L	Front-to-side pass thru	\$15,218	175#	36"	Left
GT-18+1R	Front-to-side pass thru	\$15,218	175#	36"	Right
GT-18+2	Side-to-side pass thru	\$15,931	195#	60"	Left & Right

CUSTOM ROTARY RACK GLASSWASHERS*

MODEL	DESCRIPTION	LIST	WEIGHT	LENGTH	DRAIN TABLE
GT-18+2-1C	Side-to-side corner pass thru	\$16,989	245#	42" x 42"	Left & Right
GT-18+2-78L	Side-to-side pass thru, left extended	\$16,827	275#	78"	Left & Right
GT-18+2-78R	Side-to-side pass thru, right extended	\$16,827	275#	78"	Left & Right
GT-18+2-90L	Side-to-side pass thru, left extended	\$17,426	300#	90"	Left & Right
GT-18+2-90R	Side-to-side pass thru, right extended	\$17,426	300#	90"	Left & Right

*NOTE: These units are manufactured to order and are not returnable

ACCESSORIES

MODEL	DESCRIPTION	LIST	WEIGHT
01000532	Glass rack	\$166	2#
01000533	Dish rack	\$318	4#
01000536	Glass rack insert for stemware	\$599	6#
01000710	Clip-on chemical rail	\$451	10#
01000706	Glass rack holder (for GT-18+1 only)	\$573	10#
01000708	Glass rack holder (+2, +1L, or +1R models)	\$1,156	20#
01000709	Glass rack holder w/shelf (+2, +1L, or +1R models)	\$1,449	25#
01000557	Export transformer†	\$2,085	20#



GT-18 with 01000710 chemical rail



01000536 Glass rack insert for stemware



01000533 Dish rack

See underbar section for wet waste sinks and drainboards.

†EXPORT TRANSFORMER- The export transformer converts the electrical requirement to 220V, 1 phase, 50Hz.



GT-18+2 with SWA-12 wet waste sink and 01000709 glass rack holder



GT-18+1 with 01000706 glass rack holder



GT-18+2-78L with 01000708 glass rack holder

Pass-thru cocktail stations are designed with the intention of increasing productivity through teamwork.

In a normal underbar lineup, the bartender is responsible for nearly all Cocktail Life Cycle steps.

Pass-thru cocktail stations are designed to include equipment and components necessary for the server to participate in more steps of the cocktail assembly and disassembly process.

With a teamwork approach, efficiency can be doubled relative to a typical underbar lineup.

Cocktail Cycle Prep Step	Responsibility (Standard)	Responsibility (Pass-Thru Station)
Select a Glass	Bartender	Shared
Add Ice	Bartender	Shared
Add Liquor	Bartender	Bartender
Add Mix	Bartender	Shared
Garnish Cocktail	Bartender	Shared
Complete the Sale	Bartender	Bartender
Dispose Dry Waste	Bartender	Shared
Dispose Wet Waste	Bartender	Shared
Return Used Glassware	Server	Server
Wash Glassware	Bartender	Shared

Cocktail Stations



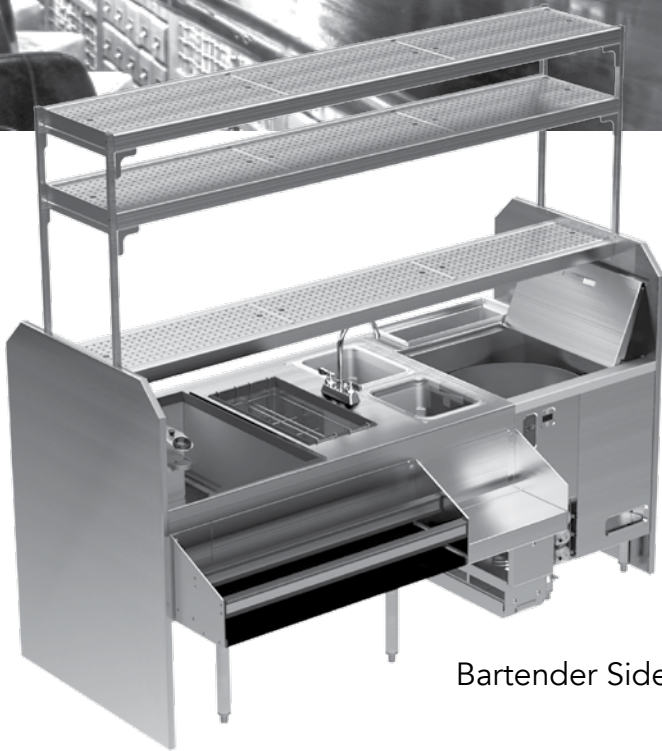
COCKTAIL LIFE CYCLE



With dozens of configurations, pass-thru cocktail stations can accommodate assembly steps, disassembly steps, or both.



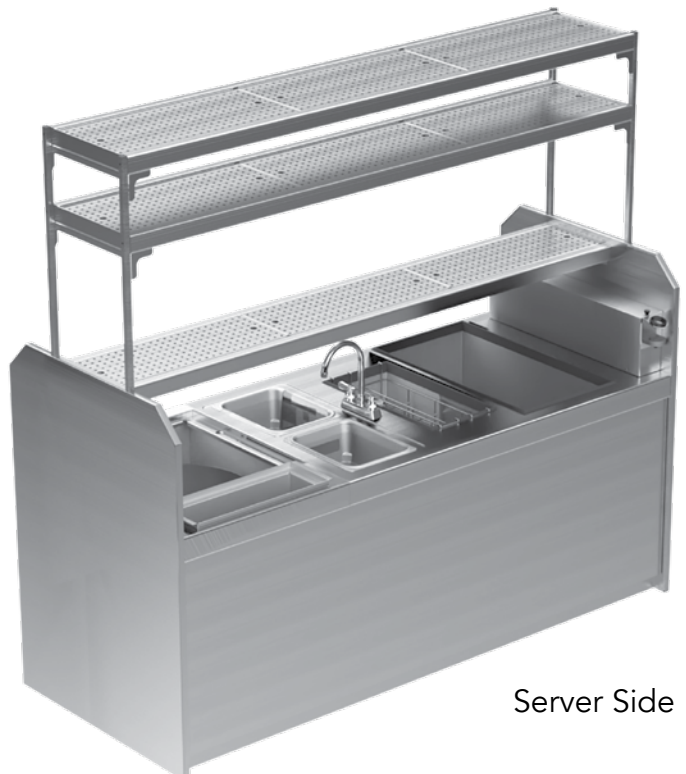
Our pass-thru stations are constructed of durable, high-quality stainless steel. Cleaning takes minimal effort with all radius corners and easily removable parts.



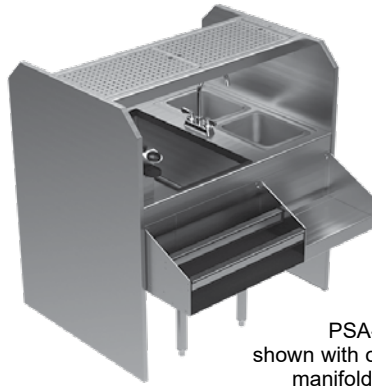
Bartender Side

Single and double overshelves are available as an accessory for convenient glassware storage.

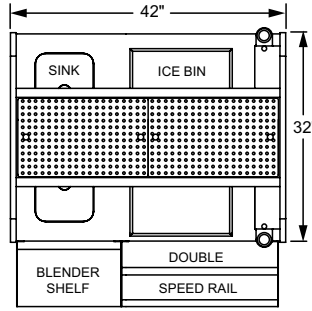
Front and end finishing panels, available in stainless steel or a multitude of laminate options, give the pass-thru station a finished, cohesive look.



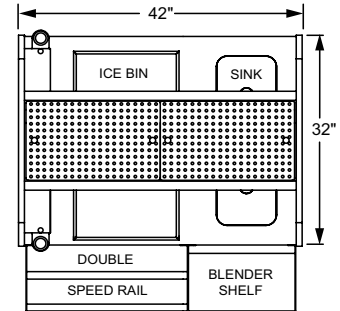
Server Side



PSA-42R
shown with optional soda
manifold housing



PSA-42L



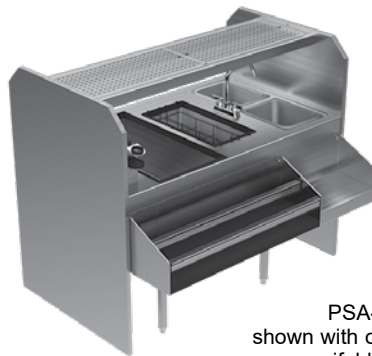
PSA-42R

PSA-42L & PSA-42R

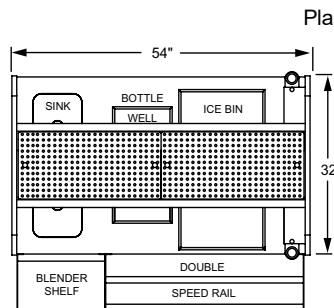
(see PSA Spec Sheet for complete details)

The PSA-42L/R pass-thru assembly cocktail station includes the following standard features: two wet waste sinks (9-1/4" by 10-1/2" by 6" deep) with strainers, gooseneck faucet, stainless steel draining tray shelf with removable perforated inserts, and one pass-thru ice bin (84 pound capacity).

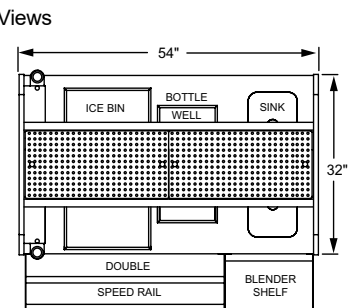
<u>MODEL</u>	<u>LIST</u>	<u>WEIGHT</u>	<u>BLENDER SHELF/DOUBLE SPEED RAIL</u>	<u>FULL DOUBLE SPEED RAIL</u>	<u>FULL SINGLE SPEED RAIL</u>	<u>LAMINATE WOOD PANELS</u>
PSA-42L/R	\$12,088	345#	\$963	\$733	\$373	\$1,846



PSA-54R
shown with optional soda
manifold housing



PSA-54L



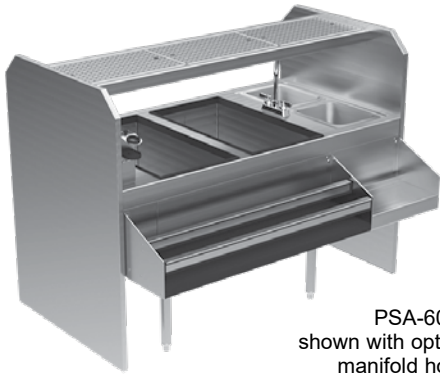
PSA-54R

PSA-54L & PSA-54R

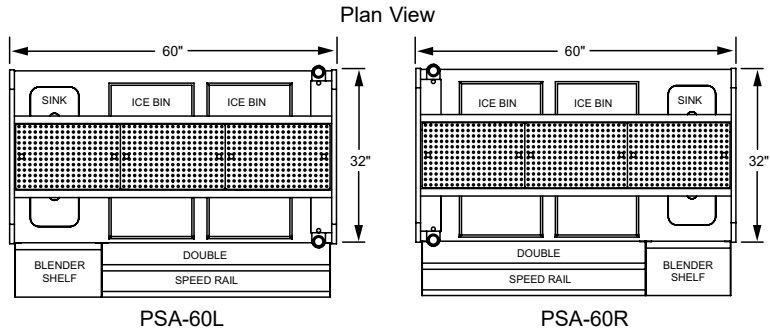
The PSA-54L/R pass-thru assembly cocktail stations include the following standard features: two wet waste sinks (9-1/4" by 10-1/2" by 6" deep) with strainers, gooseneck faucet, stainless steel draining tray shelf with removable perforated inserts, one pass-thru ice bin (84 pound capacity), and eight bottle insulated storage well.

<u>MODEL</u>	<u>LIST</u>	<u>WEIGHT</u>	<u>BLENDER SHELF/DOUBLE SPEED RAIL</u>	<u>FULL DOUBLE SPEED RAIL</u>	<u>FULL SINGLE SPEED RAIL</u>	<u>LAMINATE WOOD PANELS</u>
PSA-54L/R	\$15,118	395#	\$1,062	\$1,052	\$584	\$2,543

*NOTE: Cocktail Stations are manufactured to order and are not returnable



PSA-60R
shown with optional soda
manifold housing



PSA-60L & PSA-60R

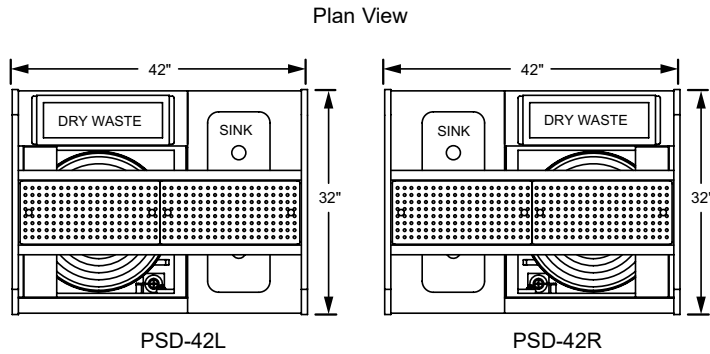
(see PSA Spec Sheet for complete details)

The PSA-60L/R pass-thru assembly cocktail station includes the following standard features: two wet waste sinks (9-1/4" by 10-1/2" by 6" deep) with strainers, gooseneck faucet, stainless steel draining tray shelf with removable perforated inserts, and two pass-thru ice bins (84 pound capacity each).

<u>MODEL</u>	<u>LIST</u>	<u>WEIGHT</u>	<u>BLENDER SHELF/DOUBLE SPEED RAIL</u>	<u>FULL DOUBLE SPEED RAIL</u>	<u>FULL SINGLE SPEED RAIL</u>	<u>LAMINATE WOOD PANELS</u>
PSA-60L/R	\$15,519	435#	\$1,112	\$1,090	\$612	\$2,543



PSD-42R



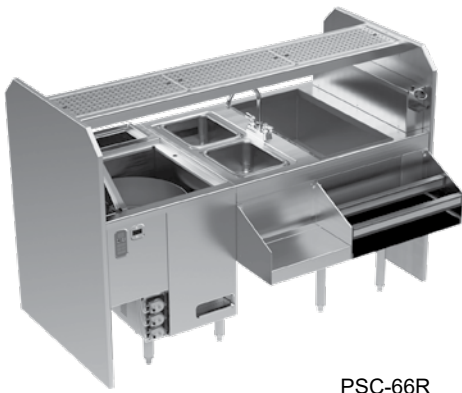
PSD-42L & PSD-42R

(see PSD Spec Sheet for complete details)

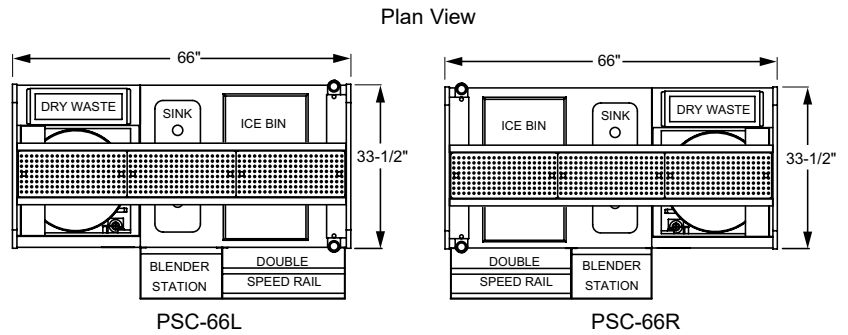
The PSD-42L/R pass-thru disassembly cocktail station includes the following standard features: two wet waste sinks (9-1/4" by 11-1/2" by 6" deep) with strainers, gooseneck faucet, server-side removable stainless steel dry waste receptacle (5 gallon capacity), stainless steel draining tray shelf with removable perforated inserts, and GW24 glasswasher with bi-fold cover.

<u>MODEL</u>	<u>LIST</u>	<u>WEIGHT</u>	<u>LAMINATE WOOD PANELS</u>
PSD-42L/R	\$25,852	540#	\$1,846

*NOTE: Cocktail Stations are manufactured to order and are not returnable



PSC-66R

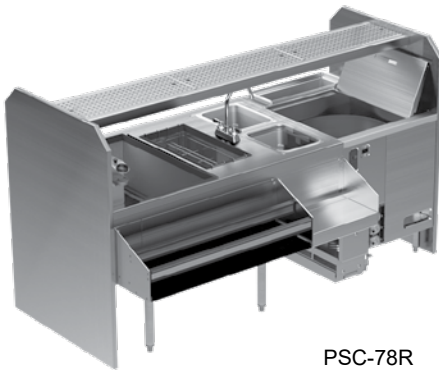


PSC-66L & PSC-66R

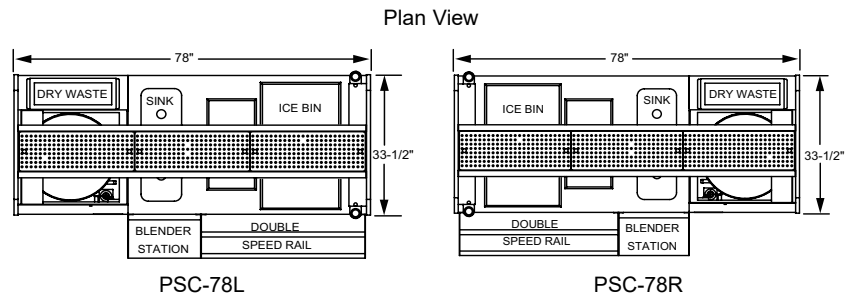
(see PSC Spec Sheet for complete details)

The PSC-66L/R pass-thru complete cocktail station includes the following standard features: pass thru ice bin (84lb capacity), two wet waste waste sinks (9-1/4" by 11-1/2" by 6" deep bowls) with sink strainers, gooseneck faucet, server-side removable stainless steel dry waste receptacle (5 gallon capacity), stainless steel draining tray shelf with removable perforated inserts, and GW24 glasswasher with bi-fold cover.

<u>MODEL</u>	<u>LIST</u>	<u>WEIGHT</u>	<u>BLENDER SHELF/DOUBLE SPEED RAIL</u>	<u>FULL DOUBLE SPEED RAIL</u>	<u>FULL SINGLE SPEED RAIL</u>	<u>LAMINATE WOOD PANELS</u>
PSC-66L/R	\$30,606	570#	\$963	\$733	\$373	\$2,543



PSC-78R



PSC-78L & PSC-78R

The PSC-78L/R pass-thru complete cocktail station includes the following standard features: pass thru ice bin (84lb capacity), two wet waste waste sinks (9-1/4" by 11-1/2" by 6" deep bowls) with sink strainers, gooseneck faucet, server-side removable stainless steel dry waste receptacle (5 gallon capacity), stainless steel draining tray shelf with removable perforated inserts, GW24 glasswasher with bi-fold cover, and eight bottle insulated storage well

<u>MODEL</u>	<u>LIST</u>	<u>WEIGHT</u>	<u>BLENDER SHELF/DOUBLE SPEED RAIL</u>	<u>FULL DOUBLE SPEED RAIL</u>	<u>FULL SINGLE SPEED RAIL</u>	<u>LAMINATE WOOD PANELS</u>
PSC-78L/R	\$33,201	750#	\$1,062	\$1,052	\$584	\$2,543

*NOTE: Cocktail Stations are manufactured to order and are not returnable

ACCESSORIES										
MODEL	DESCRIPTION	LIST	WEIGHT	PSA-42	PSA-54	PSA-60	PSD-42	PSC-66	PSC-78	
OVERSHELVES										
(Mounts to end panels of station - brackets included)										
SOS/SS-42	42" stainless steel single overshelf	\$1,793	53#	x			x			
SOS/SS-54	54" stainless steel single overshelf	\$1,916	68#		x					
SOS/SS-60	60" stainless steel single overshelf	\$2,047	75#			x				
SOS/SS-66	66" stainless steel single overshelf	\$2,109	83#					x		
SOS/SS-78	78" stainless steel single overshelf	\$2,227	98#						x	
DOS/SS-42	42" stainless steel double overshelf	\$2,742	98#	x			x			
DOS/SS-54	54" stainless steel double overshelf	\$2,990	126#		x					
DOS/SS-60	60" stainless steel double overshelf	\$3,251	140#			x				
DOS/SS-66	66" stainless steel double overshelf	\$3,376	154#					x		
DOS/SS-78	78" stainless steel double overshelf	\$3,612	182#						x	
CLIP-ON GARNISH DISPENSER										
(Clips to tray shelf on bartender or server side)										
CCD/T	Garnish dispenser, clip-on to tray shelf	\$283	4#	x	x	x		x	x	
ICE BIN ACCESSORIES										
03000509	Sneeze guard for 32" deep stations	\$315	15#	x	x	x		x	x	
IBD-H-CS32	Ice bin divider, half, for 32" deep station	\$178	4#	x	x	x		x	x	
02006635	Sliding cover	\$275	12#	x	x	x		x	x	
CLIP-ON DRY WASTE RECEPTACLE										
(Clips to front panel on cocktail server side of station)										
CDRY	Clip-on dry waste (stainless steel)	\$870	30#	x	x	x				
SODA GUN ACCOMMODATIONS										
02001103	Ten circuit cold plate	\$2,229	120#	x	x	x		x	x	
	Soda manifold	\$776	21#	x	x	x		x	x	
GW24 ROTARY GLASSWASHER ACCESSORIES										
01001500	Slide-out Chemical Bottle Rack	\$821	25#				x	x	x	
01001601	Rack divider, two-piece assembly	\$288	7#				x	x	x	

 All faucets are certified low lead compliant

WARNING: The plastic wet waste strainer included with this product can expose you to chemicals including Bisphenol A (BPA), which is known to the State of California to cause birth defects or other reproductive harm. For more information, go to www.P65Warnings.ca.gov. **Part #03000483**
Warning applies to State of California only.

*NOTE: Cocktail Stations are manufactured to order and are not returnable



PBC48-12

Portable bars for stackable cups come with a cup storage well for three rows up to 4-1/4" in diameter, as well as a cocktail ice bin and an iced beverage storage bin. The size of the cocktail bin and beverage storage bin vary depending on the model ordered.



PBG72-12

Portable bars for glassware come with a glass storage work surface area consisting of a pan with perforated insert and rack slides for storing three 20"x20" glass racks below. They also include a cocktail ice bin and an iced beverage storage bin, the sizes of which vary depending on the model ordered.

PORTABLE BAR FOR STACKABLE CUPS

<u>MODEL</u>	<u>LIST</u>	<u>COCKTAIL ICE BIN</u>	<u>BEVERAGE BIN</u>	<u>WT</u>	<u>OVERALL LENGTH</u>
PBC48-12	\$11,473	12"	24"	275#	48"
PBC48-18	\$11,563	18"	18"	275#	48"
PBC54-12	\$12,193	12"	30"	300#	54"
PBC54-18	\$12,286	18"	24"	300#	54"
PBC60-12	\$12,933	12"	36"	325#	60"
PBC60-18	\$13,007	18"	30"	325#	60"

PRODUCT INFORMATION

(see PBC, PBCR, PBG, and PBGR Spec Sheets for complete details)

STANDARD FEATURES:

- Weather resistant stainless steel construction
- Stainless steel bottle rail with PVC plastic sound deadening cover. Rail includes clear snap-on liquor identification label cover.
- PBC and PBCR - Cup storage well for three rows up to 4-1/4" in diameter
- PBG and PBGR - Glass storage pan with perforated insert and storage for three glass racks below
- Cocktail ice bin with sliding cover and garnish cup area. Rear garnish area has hinged stainless steel sanitary cover with three (12") or four (18") cups.
- Iced beverage storage bin with separate drain to prevent contamination of ice used to make cocktails. Drain includes flexible hose and on/off valve for draining when convenient.
- Foamed-in-place insulation and an PVC plastic breaker strip around ice bin liners to prevent thermal transfer from outside the ice bin so ice lasts longer
- 6-gallon plastic drain tank with on-off valve to collect melting ice water from cocktail bin
- 4" heavy-duty rubberized casters. The two bartender side corner casters are locking.
- Stainless steel front and side panels are welded to the 16-gauge stainless steel base for incredible durability
- Stainless steel bar top and front and side panels have a plastic honeycomb core for durability and sound deadening
- Stylish feathered jewel finish on bar top hides scratches

PORTABLE BAR FOR GLASSWARE

<u>MODEL</u>	<u>LIST</u>	<u>COCKTAIL ICE BIN</u>	<u>BEVERAGE BIN</u>	<u>WT</u>	<u>OVERALL LENGTH</u>
PBG66-12	\$14,127	12"	24"	355#	66"
PBG66-18	\$14,217	18"	18"	355#	66"
PBG72-12	\$14,872	12"	30"	380#	72"
PBG72-18	\$14,962	18"	24"	380#	72"
PBG78-12	\$15,615	12"	36"	405#	78"
PBG78-18	\$15,706	18"	30"	405#	78"

*NOTE: Portable bars are made to order and are not returnable.



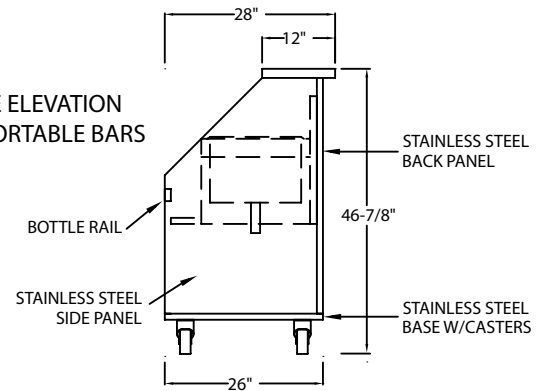
PBCR72-12

Portable bars for stackable cups with space for a refrigerator share the same features as the other stackable cups models, except they also include a 36" w by 25" d by 38-3/4" h space for an on-board refrigerator. The refrigerator must be ordered separately. A Glastender model C1FB36 (page 71) or ST36 (Page 113) is recommended. If a non-Glastender refrigerator is being used, verify the power cord can exit the front of the 36" opening.

PORTABLE BAR FOR STACKABLE CUPS WITH SPACE FOR REFRIGERATOR

MODEL	LIST	COCKTAIL	BEVERAGE	WT	OVERALL LENGTH
		ICE BIN	BIN		
PBCR72-12	\$14,201	12"	12"	340#	72"
PBCR78-12	\$14,928	12"	18"	365#	78"
PBCR78-18	\$15,018	18"	12"	365#	78"
PBCR84-12	\$15,672	12"	24"	390#	84"
PBCR84-18	\$15,759	18"	18"	390#	84"
PBCR90-12	\$16,395	12"	30"	415#	90"
PBCR90-18	\$16,482	18"	24"	415#	90"
PBCR96-12	\$17,114	12"	36"	440#	96"
PBCR96-18	\$17,205	18"	30"	440#	96"

RIGHT SIDE ELEVATION FOR ALL PORTABLE BARS



PBGR96-18

Portable bars for glassware with space for a refrigerator share the same features as the other glassware models, except they also include a 36" w by 25" d by 38-3/4" h space for an on-board refrigerator. The refrigerator must be ordered separately. A Glastender model C1FB36 (page 71) or ST36 (Page 113) is recommended. If a non-Glastender refrigerator is being used, verify the power cord can exit the front of the 36" opening.

PORTABLE BAR FOR GLASSWARE WITH SPACE FOR REFRIGERATOR

MODEL	LIST	COCKTAIL	BEVERAGE	WT	OVERALL LENGTH
		ICE BIN	BIN		
PBGR90-12	\$16,533	12"	12"	415#	90"
PBGR96-12	\$17,276	12"	18"	440#	96"
PBGR96-18	\$17,364	18"	12"	440#	96"



PBGR96-18 with C1FB36 installed

*NOTE: Portable bars are made to order and are not returnable.



IBA-24-CP10

PRODUCT INFORMATION

(see IB and IB-ED Spec Sheets for complete details)

STANDARD FEATURES

- One-piece, seamless top and backsplash
- PVC plastic breaker strip around ice bin liner: creates 5/16" raised edge around liner (NSF® requirement is 3/16"), acts as a thermal barrier to prevent heat transfer, and makes the covers slide easier
- Tubing chase available centered in backsplash of 12" and larger models. Specify accessory model #TC-BS.
- 24" deep version provides a larger ice bin, not just a deck extension on the back of 19" deep model
- Sliding stainless steel cover
- Foamed-in-place insulation
- Models without cold plates have a 1-1/2" welded tailpiece - no drain fitting to break or come loose
- 10-1/2" deep liner (Extra deep models have a 14-1/2" deep liner)
- Adjustable stainless steel bullet feet

What is a cold plate?

A cold plate is an aluminum block with stainless steel lines or circuits molded within. Glastender ice bins can be manufactured with a ten-circuit cold plate built into the bottom liner. Soda lines are attached by the soda vendor to the input and output lines of the cold plate and the soda water and syrup is chilled as it passes through these lines. Please consult your soda vendor to determine if cold plates are required in your ice bins.

19" DEEP ICE BINS*

MODEL	LIST	LENGTH	WEIGHT	ICE CAPACITY
IBA-6†	\$1,350	6"	40#	17#
IBA-12	\$1,910	12"	50#	33#
IBA-18	\$2,158	18"	60#	50#
IBA-24	\$2,409	24"	70#	67#
IBA-30	\$2,660	30"	80#	84#
IBA-36	\$2,948	36"	90#	100#
IBA-42	\$3,207	42"	100#	117#
IBA-48	\$3,462	48"	110#	134#

19" DEEP EXTRA DEEP ICE BINS*

IBA-18-ED	\$2,442	18"	75#	69#
IBA-24-ED	\$2,720	24"	80#	92#
IBA-30-ED	\$3,001	30"	90#	116#
IBA-36-ED	\$3,317	36"	100#	139#
IBA-42-ED	\$3,600	42"	110#	162#
IBA-48-ED	\$3,884	48"	125#	185#

WITH 10-CIRCUIT COLD PLATE

IBA-24-CP10	\$4,271	24"	130#	67#
IBA-30-CP10	\$4,599	30"	145#	84#
IBA-36-CP10	\$5,029	36"	160#	100#
IBA-42-CP10	\$5,689	42"	170#	117#
IBA-48-CP10	\$5,944	48"	180#	134#

19" EXTRA DEEP ICE BINS WITH 10-CIRCUIT COLD PLATE*

IBA-24-CP10-ED	\$4,774	24"	140#	92#
IBA-30-CP10-ED	\$5,142	30"	155#	116#
IBA-36-CP10-ED	\$5,679	36"	170#	139#
IBA-42-CP10-ED	\$6,326	42"	180#	162#
IBA-48-CP10-ED	\$6,638	48"	190#	185#

† Not freestanding

24" DEEP ICE BINS*

MODEL	LIST	LENGTH	WEIGHT	ICE CAPACITY
IBB-6†	\$1,463	6"	45#	21#
IBB-12	\$2,065	12"	55#	42#
IBB-18	\$2,354	18"	70#	64#
IBB-24	\$2,681	24"	80#	85#
IBB-30	\$2,939	30"	95#	106#
IBB-36	\$3,251	36"	110#	127#
IBB-42	\$3,560	42"	120#	149#
IBB-48	\$3,845	48"	130#	170#

WITH 10-CIRCUIT COLD PLATE*

IBB-24-CP10	\$4,503	24"	145#	85#
IBB-30-CP10	\$5,337	30"	160#	106#
IBB-36-CP10	\$5,684	36"	170#	127#
IBB-42-CP10	\$6,018	42"	185#	149#
IBB-48-CP10	\$6,327	48"	195#	170#

24" EXTRA DEEP ICE BINS WITH 10-CIRCUIT COLD PLATE*

IBB-24-CP10-ED	\$4,939	24"	155#	117#
IBB-30-CP10-ED	\$5,820	30"	170#	147#
IBB-36-CP10-ED	\$6,199	36"	180#	176#
IBB-42-CP10-ED	\$6,573	42"	195#	205#
IBB-48-CP10-ED	\$6,917	48"	205#	235#

† Not freestanding

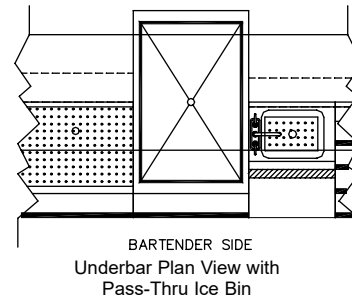
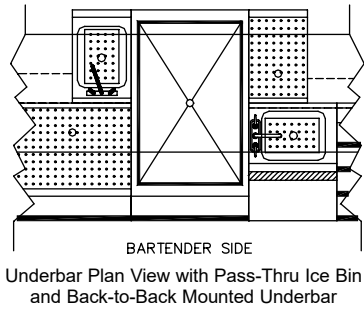
*NOTE: These ice bin models are manufactured to order and are not returnable

PASS-THRU ICE BINS

MODEL	LIST	COLD PLATE	WEIGHT	ICE CAPACITY
IB-38X24*	\$4,361	N/A	100#	175#
IB-38X24-CP10	\$6,272	10 circuit	190#	175#

A 24" wide by 38" deep pass-thru ice bin is used to provide the cocktail servers with access to the ice. Pass-thru ice bins have the same features as standard ice bins, except there is no backsplash and the sliding cover is double sided. The bartender side of the ice bin lines up with the underbar equipment the same as a standard ice bin. The 38" deep dimension also allows a pass-thru ice bin to line up with back-to-back mounted underbar equipment (see sample drawings).

*NOTE: This model is manufactured to order and is not returnable



PRODUCT INFORMATION

(see IB-38x24 Spec Sheet for complete details)



ACCESSORIES

MODEL	DESCRIPTION	LIST	WEIGHT
TC-BS	Tubing chase centered in backsplash (12" wide and larger models only)	\$76	N/A
IMF	Ice-melting faucet (12" wide and larger models only)	\$599	3#
SSR-12	12" single speed rail	\$249	4#
SSR-18	18" single speed rail	\$274	6#
SSR-24	24" single speed rail	\$300	7#
SSR-30	30" single speed rail	\$324	10#
SSR-36	36" single speed rail	\$348	12#
SSR-42	42" single speed rail	\$373	18#
SSR-48	48" single speed rail	\$400	22#
DSR-12	12" double speed rail	\$494	8#
DSR-18	18" double speed rail	\$542	12#
DSR-24	24" double speed rail	\$584	14#
DSR-30	30" double speed rail	\$634	20#
DSR-36	36" double speed rail	\$683	24#
DSR-42	42" double speed rail	\$733	36#
DSR-48	48" double speed rail	\$789	44#
CCD	Garnish dispenser	\$229	5#
CCD6-12	Garnish dispenser, ice chilled, includes six cups and two lift off covers, for IBA-12 or well of CBA model	\$526	8#
IBD-H-A	Ice bin divider, half, for 19" deep ice bin	\$112	4#
IBD-H-B	Ice bin divider, half, for 24" deep ice bin	\$143	4#
IBD-H-A-ED	Ice bin divider, half, for 19" deep extra deep ice bin	\$131	4#
IBD-H-B-ED	Ice bin divider, half, for 24" deep extra deep ice bin	\$168	4#
IBD-H-P	Ice bin divider, half, for IB-38X24	\$187	4#
IBD-H-P-CP	Ice bin divider, half, for IB-38X24-CP10	\$201	4#
IBD-H-P-LR	Ice bin divider, half, left to right for IB-38X24	\$143	4#



NOTE: For Bottle Wells or Racks see page 21

Bar Fabrication - Main Line



CBA-36R-CP10
with optional SSR-36

PRODUCT INFORMATION
(see CB and CB-ED Spec Sheets
for complete details)

STANDARD FEATURES

- One-piece, seamless top and backsplash
- PVC plastic breaker strip around ice bin liner: creates 5/16" raised edge around liner (NSF® requirement is 3/16"), acts as thermal barrier to prevent heat transfer, and makes the covers slide easier
- Tubing chase available centered in backsplash of 12" and larger models. Specify accessory model #TC-BS.
- 24" deep version provides a larger ice bin, not just a deck extension on the back of 19" deep model
- Sliding stainless steel cover
- Foamed-in-place insulation
- Models without cold plates have a 1-1/2" welded tailpiece - no drain fitting to break or come loose
- 10-1/2" deep liner (Extra deep models have a 14-1/2" deep liner)
- Adjustable stainless steel bullet feet

Combo Ice Bins combine separate draining ice bin and bottle well compartments into one integral unit. The fully insulated bottle well comes with wire rack(s) for ice chilled storage of bottles. The bottle well may be located on the left, right, or both sides of the ice bin.

19" DEEP COMBO ICE BINS*

MODEL	LIST	LENGTH	WT	ICE CAPACITY	BOTTLES STORED
CBA-30L3 or R3	\$3,469	30"	90#	67#	3
CBA-30L or R	\$3,469	30"	90#	50#	6
CBA-36L or R	\$3,733	36"	100#	67#	6
CBA-42	\$4,542	42"	110#	50#	12
CBA-42L or R	\$3,990	42"	110#	84#	6
CBA-48	\$4,837	48"	120#	67#	12
CBA-48L or R	\$4,292	48"	120#	100#	6

WITH 10-CIRCUIT COLD PLATE

CBA-30L3 or R3-CP10	\$5,618	30"	165#	67#	3
CBA-36L or R-CP10	\$5,879	36"	170#	67#	6
CBA-42L or R-CP10	\$6,219	42"	180#	84#	6
CBA-48-CP10	\$7,098	48"	200#	67#	12
CBA-48L or R-CP10	\$6,683	48"	200#	100#	6
CBA-54-CP10*	\$7,447	54"	210#	84#	12
CBA-60-CP10*	\$7,909	60"	220#	100#	12

19" EXTRA DEEP COMBO ICE BINS WITH 10-CIRCUIT COLD PLATE*

CBA-30L3 or R3-CP10-ED	\$6,035	30"	175#	92#	3
CBA-36L or R-CP10-ED	\$6,297	36"	180#	92#	6
CBA-42L or R-CP10-ED	\$6,667	42"	190#	116#	6
CBA-48-CP10-ED	\$7,589	48"	210#	92#	12
CBA-48L or R-CP10-ED	\$7,159	48"	210#	139#	6

24" DEEP COMBO ICE BINS WITH 10-CIRCUIT COLD PLATE*

CBB-30L4 or R4-CP10	\$6,315	30"	175#	85#	4
CBB-36L or R-CP10	\$6,623	36"	180#	85#	8
CBB-42L or R-CP10	\$6,896	42"	190#	106#	8
CBB-48-CP10	\$8,179	48"	210#	85#	16
CBB-48L or R-CP10	\$7,171	48"	210#	127#	8

*NOTE: These Combo Ice Bin models are manufactured to order and are not returnable

COMBO ICE BIN ACCESSORIES

MODEL	DESCRIPTION	LIST	WEIGHT
TC-BS	Tubing chase centered in backsplash	\$76	N/A
IMF	Ice-melting faucet	\$599	3#
SSR-30	30" single speed rail	\$324	10#
SSR-36	36" single speed rail	\$348	12#
SSR-42	42" single speed rail	\$373	18#
SSR-48	48" single speed rail	\$400	22#
SSR-54	54" single speed rail	\$584	25#
SSR-60	60" single speed rail	\$612	28#
DSR-30	30" double speed rail	\$634	20#
DSR-36	36" double speed rail	\$683	24#
DSR-42	42" double speed rail	\$733	36#
DSR-48	48" double speed rail	\$789	44#
DSR-54	54" double speed rail	\$1,052	50#
DSR-60	60" double speed rail	\$1,090	56#
CCD	Garnish dispenser	\$229	5#
IBD-H-A	Ice bin divider, half, for 19" deep ice bin	\$112	4#
IBD-H-B	Ice bin divider, half, for 24" deep ice bin	\$143	4#



SSR-54



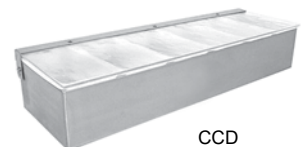
IBD-H-A



TC-BS



DSR-54



CCD



CBA-36-CP10-CS



Large chase behind each bottle well provides access for soda and liquor lines.

CASINO STYLE COMBO ICE BIN*

<u>MODEL</u>	<u>LIST</u>	<u>LENGTH</u>	<u>WT</u>	<u>ICE CAPACITY</u>	<u>BOTTLES STORED</u>
CBA-36-CP10-CS	\$7,316	36"	190#	67#	6

*NOTE: Casino Style Combo Ice Bin model is manufactured to order and not returnable

CASINO STYLE COMBO ICE BIN ACCESSORY

<u>MODEL</u>	<u>DESCRIPTION</u>	<u>LIST</u>	<u>WEIGHT</u>
CCD	Garnish dispenser	\$229	5#

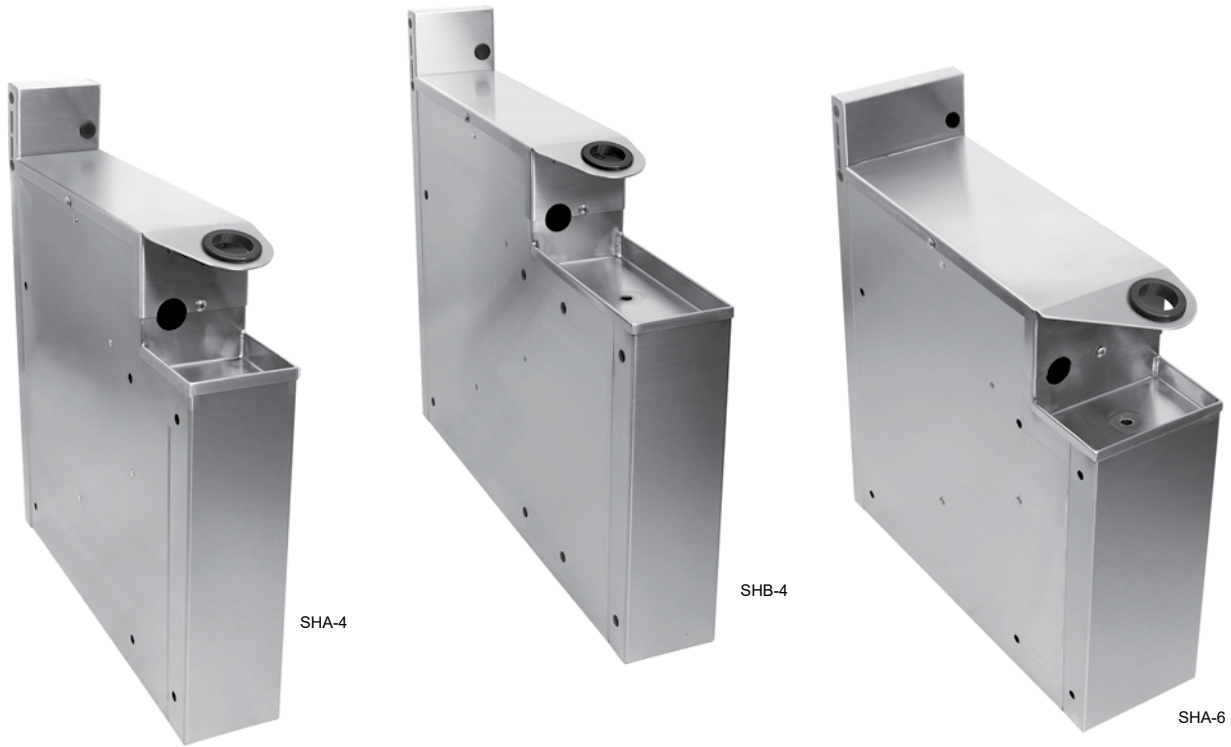
PRODUCT INFORMATION

(see Casino Spec Sheet for complete details)

STANDARD FEATURES

- Integrates one ice bin, two separate draining bottle wells, and two tubing chases into a one-piece seamless top and backsplash
- All stainless steel construction
- PVC plastic breaker strip around ice bin liner: creates 5/16" raised edge around liner, acts as thermal barrier to prevent heat transfer, and makes the cover slide easier
- One 3-bottle well to the left and right of the main ice bin liner
- 4" by 4-1/2" chase opening located behind each bottle well
- 24" single speed rail with PVC sound deadening cover included
- Sliding stainless steel cover for main ice bin liner
- Adjustable stainless steel bullet feet
- Ten circuit cold plate standard in main ice bin liner

Patented. For more information visit:
<https://www.glastender.com/patents>



Bar Fabrication - Main Line

PRODUCT INFORMATION

(see SH Spec Sheet for complete details)

STANDARD FEATURES

- All stainless steel construction
- Designed to house the manifold of Wunder-Bar® or Schroeder America™ 8 to 14 button soda guns
- Includes integral drip pan with radius corners for easy cleaning
- Built-in holder for soda gun
- Top cover is removable for access to the soda manifold
- Allows you to dictate the soda gun location
- Eliminates the need for tubing bundles above the work surface
- Designed to mount to at least one other piece of underbar equipment (there is no provision for leg mounting)
- Includes camlock in backsplash for mounting to adjacent underbar
- Extra deep “-ED” models available to align with extra-deep style ice bins

*NOTE: These items are manufactured to order and are not returnable

19" DEEP SODA GUN HOLDERS

MODEL	LIST	LENGTH	WEIGHT
SHA-4	\$865	4"	22#
SHA-4-ED	\$919	4"	24#
SHA-6	\$904	6"	25#
SHA-6-ED	\$965	6"	27#

24" DEEP SODA GUN HOLDERS

MODEL	LIST	LENGTH	WEIGHT
SHB-4	\$917	4"	22#
SHB-4-ED*	\$981	4"	24#
SHB-6	\$958	6"	25#
SHB-6-ED*	\$1,030	6"	27#

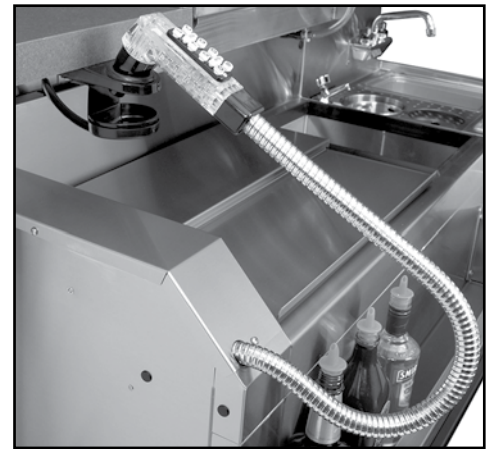
38" DEEP PASS THRU SODA GUN HOLDERS

MODEL	LIST	LENGTH	WEIGHT
SHP-4*	\$1,382	4"	32#
SHP-4-ED*	\$1,475	4"	34#
SHP-6*	\$1,464	6"	35#
SHP-6-ED*	\$1,564	6"	37#



SMHA-4

Installation photo showing soda gun drip cup mounted below bar top (soda gun and drip cup not included)



PRODUCT INFORMATION

(see SMH Spec Sheet for complete details)

STANDARD FEATURES

- Stainless steel construction
- Designed to house the manifold of Wunder-Bar® or Schroeder America™ 8 to 14 button soda guns
- Once installed, the top of the housing is 34" high
- Top cover is removable for access to the soda manifold
- Eliminates the need for tubing bundles above the work surface
- Mounts to an adjacent piece of underbar (there is no provision for leg mounting)
- The soda gun drip cup supplied by the soda gun manufacturer mounts to the underside of your bar top
- Extra deep "-ED" models available to align with extra-deep style ice bins

19" DEEP SODA MANIFOLD HOUSING

MODEL	LIST	LENGTH	WEIGHT
SMHA-4	\$638	4"	20#
SMHA-4-ED*	\$679	4"	22#
SMHA-6*	\$680	6"	23#
SMHA-6-ED*	\$726	6"	25#

24" DEEP SODA MANIFOLD HOUSING

MODEL	LIST	LENGTH	WEIGHT
SMHB-4*	\$698	4"	24#
SMHB-4-ED*	\$752	4"	26#
SMHB-6*	\$747	6"	28#
SMHB-6-ED*	\$803	6"	30#

38" DEEP PASS THRU MANIFOLD HOUSING

MODEL	LIST	LENGTH	WEIGHT
SMHP-4*	\$1,030	4"	35#
SMHP-4-ED*	\$1,115	4"	37#
SMHP-6*	\$1,104	6"	40#
SMHP-6-ED*	\$1,194	6"	42#

*NOTE: These items are manufactured to order and are not returnable

Undercounter Mount Gun Holder



UMGH

PRODUCT INFORMATION
(see UMGH Spec Sheet for complete details)



UNDERCOUNTER MOUNT GUN HOLDER

MODEL	LIST	WEIGHT
UMGH	\$164	3#

14 gauge stainless steel with rubber grommet and plastic drip pan. Grommet is specially sized to properly hold both Wunder-Bar® and Schroeder America™ style soda guns. Includes 10' of drain line tube.

Bar Fabrication - Main Line

PRODUCT INFORMATION

(see BW Spec Sheet for complete details)

Bottle Wells are PVC plastic-molded bottle holders that are placed in an ice bin to hold ice-chilled mix-ingredient pour and store bottles. There are two sizes of wells: 3 bottle for 19" deep ice bins and four bottle for 24" deep ice bins. The 3 bottle notched model is used with the IB-38x24 pass-thru ice bin.

A bottle well may be placed on one or both sides of an ice bin and is designed with a special ledge on one side to hold a sliding ice bin cover. When bottle wells are ordered with an original ice bin, the correct, smaller-sliding ice bin cover is automatically provided.

For three bottles stored on one side of a 19" deep ice bin, order one model number BW3. For three bottles stored on both sides of a 19" deep ice bin, order a quantity of two BW3.

For four bottles stored on one side of a 24" deep ice bin, order one model number BW4. For four bottles stored on both sides of a 24" deep ice bin, order a quantity of two BW4.



BW3
(Positioned Left)

BW3
(Positioned Right)

MODEL	DESCRIPTION	LIST	WEIGHT
BW3	3 bottle well for 19" deep ice bin	\$76	4#
BW3-2	2 - 3 bottle wells for 19" deep ice bin	\$152	8#
BW3-N	3 bottle well with notch for IB-38x24 ice bin	\$116	4#
BW4	4 bottle well for 24" deep ice bin	\$140	5#
BW4-2	2 - 4 bottle wells for 24" deep ice bin	\$280	10#

Bar Fabrication - Main Line

Bottle Racks

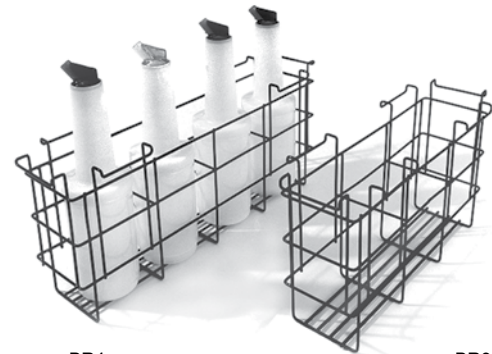
Pricing effective January 1, 2025

BR3 AND BR4 PRODUCT INFORMATION

(see BR Spec Sheet for complete details)

BR3 and BR4 bottle racks are vinyl-coated wire racks that are placed in an ice bin to hold ice-chilled mix-ingredient pour and store bottles. There are two sizes of wire racks: 3 bottle for 19" deep ice bins and four bottle for 24" deep ice bins.

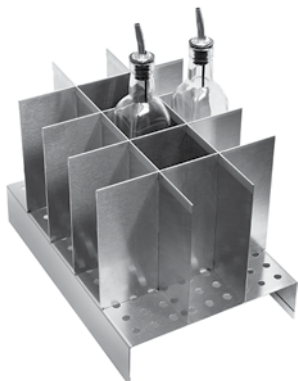
The BR3 and BR4 are intended for use with smaller ice bins, where the sole purpose of the ice bin is to provide insulated storage for pour and store bottles. Bottle racks are most often used with 6" or 12" wide ice bins, which hold one or two racks, respectively. For example, an IBA-6 ice bin holds one BR3, while an IBA-12 ice bin holds two BR3.



BR4
(Bottles not included)

BR3

MODEL	DESCRIPTION	LIST	WEIGHT
BR3	3 bottle rack for 19" deep ice bin	\$73	3#
BR4	4 bottle rack for 24" deep ice bin	\$89	4#



BRM15
(Bottles not included)

BRM15 PRODUCT INFORMATION

(see BRM Spec Sheet for complete details)

The BRM15 stainless steel mixology bottle rack fits into an IBA-12 model ice bin or the bottle well of a CBA model combo ice bin to provide ice-chilled storage for 15 elixir bottles. NOTE: Recommend Tablecraft 916 (16 oz.) or 9085 (8.5 oz.) olive oil bottles.

MODEL	DESCRIPTION	LIST	WEIGHT
BRM15	Mixology bottle rack, 15 bottle, 3" by 3" openings	\$373	3#



SSR-24

Locking covers for Single Speed Rails include built-in storage hangers when ordered with original equipment



SSRC-36 installed

Built-in storage hangers

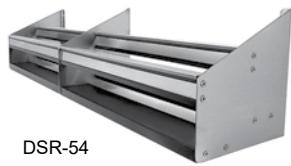
SSRC-36 in storage below speed rail

SINGLE SPEED RAILS

MODEL	LIST	LENGTH	WEIGHT
SSR-12	\$249	12"	4#
SSR-13 to 18	\$274	13" to 18"	6#
SSR-19 to 24	\$300	19" to 24"	7#
SSR-25 to 30	\$324	25" to 30"	10#
SSR-31 to 36	\$348	31" to 36"	12#
SSR-37 to 42	\$373	37" to 42"	18#
SSR-43 to 48	\$400	43" to 48"	22#
SSR-49 to 54	\$584	49" to 54"	25#
SSR-55 to 60	\$612	55" to 60"	28#
SSR-61 to 66	\$638	61" to 66"	32#
SSR-67 to 72	\$661	67" to 72"	35#
SSR-73 to 78	\$688	73" to 78"	38#
SSR-79 to 84	\$714	79" to 84"	42#

SINGLE SPEED RAIL LOCKING COVERS

MODEL	LIST	LENGTH	WEIGHT
SSRC-12	\$329	12"	7#
SSRC-13 to 18	\$355	13" to 18"	9#
SSRC-19 to 24	\$380	19" to 24"	11#
SSRC-25 to 30	\$410	25" to 30"	13#
SSRC-31 to 36	\$430	31" to 36"	16#
SSRC-37 to 42	\$454	37" to 42"	18#
SSRC-43 to 48	\$480	43" to 48"	21#



DSR-54



DSR-24

DOUBLE SPEED RAILS

MODEL	LIST	LENGTH	WEIGHT
DSR-12	\$494	12"	8#
DSR-13 to 18	\$542	13" to 18"	12#
DSR-19 to 24	\$584	19" to 24"	14#
DSR-25 to 30	\$634	25" to 30"	20#
DSR-31 to 36	\$683	31" to 36"	24#
DSR-37 to 42	\$733	37" to 42"	36#
DSR-43 to 48	\$789	43" to 48"	44#
DSR-49 to 54	\$1,052	49" to 54"	50#
DSR-55 to 60	\$1,090	55" to 60"	56#
DSR-61 to 66	\$1,149	61" to 66"	64#
DSR-67 to 72	\$1,197	67" to 72"	70#
DSR-73 to 78	\$1,246	73" to 78"	76#
DSR-79 to 84	\$1,294	79" to 84"	84#

DOUBLE SPEED RAIL LOCKING COVERS

MODEL	LIST	LENGTH	WEIGHT
DSRC-12	\$658	12"	14#
DSRC-13 to 18	\$710	13" to 18"	18#
DSRC-19 to 24	\$760	19" to 24"	22#
DSRC-25 to 30	\$820	25" to 30"	26#
DSRC-31 to 36	\$860	31" to 36"	32#
DSRC-37 to 42	\$908	37" to 42"	36#
DSRC-43 to 48	\$960	43" to 48"	42#

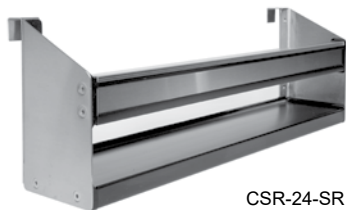
PRODUCT INFORMATION

(see SSR, CSR, and DSR Spec Sheets for complete details)

STANDARD FEATURES

- All stainless steel construction
- Open channel-and-rail design for easy cleaning and better view of bottles
- PVC sound deadening covers
- Locking covers for Single Speed Rails include built-in storage hangers when ordered with original equipment
- Each rail includes a clear lift-off liquor-identification cover
- Radius corners for easy cleaning

CLIP-ON SINGLE SPEED RAILS



CSR-24-SR

MODEL	DESCRIPTION	LIST	WEIGHT
CSR-12-SR	12" Clip-on single to existing single	\$290	4#
CSR-18-SR	18" Clip-on single to existing single	\$316	6#
CSR-24-SR	24" Clip-on single to existing single	\$342	7#
CSR-30-SR	30" Clip-on single to existing single	\$368	10#
CSR-36-SR	36" Clip-on single to existing single	\$394	12#
CSR-42-SR	42" Clip-on single to existing single	\$420	15#
CSR-48-SR	48" Clip-on single to existing single	\$446	18#

Bar Fabrication - Main Line

All faucets are certified low lead compliant

Bar Fabrication - Main Line



BSB-18



DBSB-18



BSA-18-RF



DBSA-12-RF

Rinser faucet installation notes:

- Important: Unit must be installed in conformance with applicable federal, state, and local plumbing codes, including adequate backflow when required.
- Must install backflow prevention device conforming to ANSI/ASSE 1022 or ANSI/ASSE 1024 to meet plumbing code (not included).
- Install in-line water regulator (included).
- A separate shut-off valve is recommended (not included).

Blender stations cannot have a speed rail mounted to them. Since speed rails are so common on underbar, blender stations come in 24" and 29" depths and are designed to align with underbar that has a speed rail.

⚠ WARNING: The plastic wet waste strainer included with this product can expose you to chemicals including Bisphenol A (BPA), which is known to the State of California to cause birth defects or other reproductive harm. For more information, go to www.P65Warnings.ca.gov. **Part #03000483**
Warning applies to State of California only.

Blender Stations come standard with a sink, faucet, and wet waste strainer. Drainboard Blender Stations come standard with a drainboard work surface consisting of a drain pan with separate removable perforated insert. The integral blender shelf is 9" deep on the 24" deep models and 10" deep on 29" models. The shelf stores the blender at the 19" high level. A grommeted cord access hole is provided in the front skirt.

24" DEEP BLENDER STATIONS

(Aligns with 19" deep underbar that has a single speed rail)

MODEL	LIST	LENGTH	WEIGHT
BSA-12	\$2,305	12"	48#
BSA-14	\$2,279	14"	50#
BSA-18L †*	\$2,372	18"	55#
BSA-18R †*	\$2,372	18"	55#

† Denotes faucet location as Left or Right

24" DEEP BLENDER STATION WITH RINSER FAUCET

(Aligns with 19" deep underbar that has a single speed rail)

MODEL	LIST	LENGTH	WEIGHT
BSA-18-RF*	\$3,010	18"	60#

29" DEEP BLENDER STATIONS

(Aligns with 24" deep underbar that has a single speed rail or 19" deep underbar that has a double speed rail)

MODEL	LIST	LENGTH	WEIGHT
BSB-12*	\$2,461	12"	53#
BSB-14*	\$2,536	14"	55#
BSB-18*	\$2,669	18"	60#

24" DEEP DRAINBOARD BLENDER STATIONS

(Aligns with 19" deep underbar that has a single speed rail)

MODEL	LIST	LENGTH	WEIGHT
DBSA-12*	\$1,519	12"	40#
DBSA-14*	\$1,557	14"	42#
DBSA-18*	\$1,594	18"	45#
DBSA-24*	\$1,734	24"	55#

24" DEEP DRAINBOARD BLENDER STATIONS WITH RINSER FAUCET

(Aligns with 19" deep underbar that has a single speed rail)

MODEL	LIST	LENGTH	WEIGHT
DBSA-12-RF*	\$2,004	12"	45#
DBSA-14-RF*	\$2,055	14"	47#
DBSA-18-RF*	\$2,144	18"	50#

29" DEEP DRAINBOARD BLENDER STATIONS

(Aligns with 24" deep underbar that has a single speed rail or 19" deep underbar that has a double speed rail)

MODEL	LIST	LENGTH	WEIGHT
DBSB-12*	\$1,534	12"	45#
DBSB-14*	\$1,573	14"	47#
DBSB-18*	\$1,669	18"	50#

*NOTE: These items are manufactured to order and are not returnable

PRODUCT INFORMATION

(see BS and DBS Spec Sheets for complete details)

STANDARD FEATURES

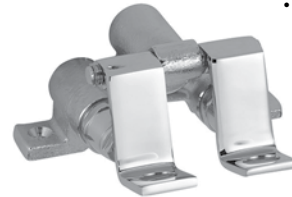
- All stainless steel construction
- Adjustable stainless steel bullet feet
- Sink models feature a 9-1/4" by 11-1/2" by 6" deep sink bowl, a lift-out plastic perforated sink strainer and a hot and cold water faucet
- Drainboard models feature drainboard work surface consisting of drain pan with separate removable perforated insert
- "-RF" models include a rinsing faucet for rinsing blender cups
- 24" deep models have a 9" deep shelf
- 29" deep models have a 10" deep shelf
- Junction box for duplex outlet mounted underneath blender shelf (outlet not included)

Optional foot-operated faucets



- FOF-B**
- BSA-12
 - BSA-18-RF
 - BSB-12

- FOF-D**
- BSA-14
 - BSA-18-L
 - BSA-18-R
 - BSB-14
 - BSB-18



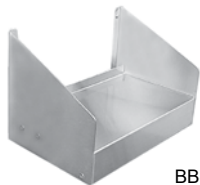
TR

CONFIGURABLE OPTIONS

MODEL	DESCRIPTION	LIST	WT
LS15-F	15" D left side splash (BSA models)	\$178	4#
RS15-F	15" D right side splash (BSA models)	\$178	4#
LS15-D	15" D left side splash (DBSA models)	\$178	4#
RS15-D	15" D right side splash (DBSA models)	\$178	4#
LSA-D	19" deep left side splash (BSB & DBSB models)	\$178	4#
RSA-D	19" deep right side splash (BSB & DBSB models)	\$178	4#
LSRF	Left side splash (-RF models)	\$178	4#
RSRF	Right side splash (-RF models)	\$178	4#
FOF-B	Convert to foot-operated backsplash faucet for BSA-12, BSA-18-RF, and BSB-12 models	\$658	3#
FOF-D	Convert to foot-operated deck faucet for BSA-14, BSA-18L, BSA-18R, BSB-14, and BSB-18 models	\$502	3#

ACCESSORY

MODEL	DESCRIPTION	LIST	WT
TR	Towel ring	\$24	1#



BBS-12

Additional blender shelf space can be added to standard underbar units by specifying a Bolt-on Blender Shelf. Bolt-on Blender Shelves are 10" deep and include a junction box for duplex outlet (outlet not included) mounted below the shelf.

BOLT-ON BLENDER SHELVES

MODEL	DESCRIPTION	LIST	WT
BBS-8	8" bolt-on blender shelf	\$341	8#
BBS-12	12" bolt-on blender shelf	\$358	12#
BBS-14	14" bolt-on blender shelf	\$365	14#
BBS-16	16" bolt-on blender shelf	\$379	16#
BBS-18	18" bolt-on blender shelf	\$389	18#
BBS-24	24" bolt-on blender shelf	\$421	28#
BBS-30	30" bolt-on blender shelf	\$447	36#

Bar Fabrication - Main Line



DBA-18 with optional SSR-18

The work surface of a Glastender drainboard consists of a 1" deep sloped stainless steel drain pan with a separate removable perforated insert. The 1" high perforated insert allows air circulation beneath the glassware, and since the pan is sloped and not the insert, all glassware is stored on a level plane.

NOTE: Drainboards are also available with a flat stainless steel fillerboard top in lieu of the drainboard top. Substitute an 'F' for the 'D' in the model number when ordering and use the same price. Fillerboards are manufactured to order and are not returnable.

PRODUCT INFORMATION

(see DB Spec Sheet for complete details)

STANDARD FEATURES

- All stainless steel construction
- Adjustable stainless steel bullet feet
- 24" deep models provide a larger drainboard storage area, not just a deck extension on the back of the 19" deep model
- One-piece seamless top, front rail and backsplash
- Work surface consists of a drain pan and separate perforated insert for better air circulation
- All storage is on level plane

19" DEEP DRAINBOARDS

MODEL	LIST	LENGTH	WEIGHT
DBA-12	\$1,143	12"	45#
DBA-18	\$1,270	18"	50#
DBA-24	\$1,406	24"	55#
DBA-30	\$1,542	30"	60#
DBA-36	\$1,660	36"	65#
DBA-42*	\$1,784	42"	70#
DBA-48*	\$1,910	48"	75#

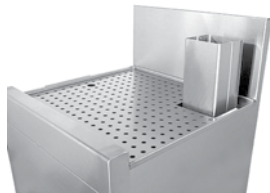
24" DEEP DRAINBOARDS

MODEL	LIST	LENGTH	WEIGHT
DBB-12	\$1,242	12"	50#
DBB-18	\$1,399	18"	55#
DBB-24	\$1,553	24"	60#
DBB-30	\$1,710	30"	65#
DBB-36*	\$1,845	36"	70#
DBB-42*	\$1,993	42"	80#
DBB-48*	\$2,143	48"	85#

*NOTE: These items are manufactured to order and are not returnable

ACCESSORIES

MODEL	DESCRIPTION	LIST	WEIGHT
SSR-12	12" single speed rail	\$249	4#
SSR-18	18" single speed rail	\$274	6#
SSR-24	24" single speed rail	\$300	7#
SSR-30	30" single speed rail	\$324	10#
SSR-36	36" single speed rail	\$348	12#
SSR-42	42" single speed rail	\$373	18#
SSR-48	48" single speed rail	\$400	22#
DSR-12	12" double speed rail	\$494	8#
DSR-18	18" double speed rail	\$542	12#
DSR-24	24" double speed rail	\$584	14#
DSR-30	30" double speed rail	\$634	20#
DSR-36	36" double speed rail	\$683	24#
DSR-42	42" double speed rail	\$733	36#
DSR-48	48" double speed rail	\$789	44#
TC †	4" X 4" x 6-1/2" H tubing chase	\$288	5#



Tubing Chase accessory added to a drainboard at the factory



DSR-24



SSR-24

† NOTE: Drainboard units with a TC accessory added are manufactured to order and are not returnable

Recessed drainboards have the same drain pan with separate perforated insert design as normal drainboards, except the work surface has been lowered to allow stacking of glassware. A perforated shelf is placed on top of the first level of glassware and a second layer of glassware is stacked on top of it. Recessed drainboards work best when only one style of glassware is being stored.

Recessed drainboards cannot have a speed rail mounted to them. Since speed rails are so common on underbar, recessed drainboards have been designed to align with underbar that has a speed rail. The four different recessed drainboard styles are based on the four different equipment-mounting situations.



RDBA-18S



RDBB-18 with
DHSB-12 attached left

24" DEEP RECESSED DRAINBOARDS

(Aligns with 19" deep underbar that has a single speed rail)

MODEL	LIST	LENGTH	WEIGHT
RDBA-12S	\$1,360	12"	50#
RDBA-18S	\$1,535	18"	55#
RDBA-24S	\$1,725	24"	60#
RDBA-30S	\$1,900	30"	65#

24" DEEP RECESSED DRAINBOARDS

(Aligns with 24" deep underbar that has no speed rail)

MODEL	LIST	LENGTH	WEIGHT
RDBB-12	\$1,360	12"	50#
RDBB-18	\$1,535	18"	55#
RDBB-24	\$1,725	24"	60#
RDBB-30	\$1,900	30"	65#



RDBA-18D

*NOTE: Recessed Drainboards are manufactured to order and are not returnable



RDBB-18S

29" DEEP RECESSED DRAINBOARDS*

(Aligns with 19" deep underbar that has a double speed rail)

MODEL	LIST	LENGTH	WEIGHT
RDBA-12D	\$1,508	12"	60#
RDBA-18D	\$1,706	18"	65#
RDBA-24D	\$1,940	24"	70#
RDBA-30D	\$2,137	30"	75#

29" DEEP RECESSED DRAINBOARDS*

(Aligns with 24" deep underbar that has a single speed rail)

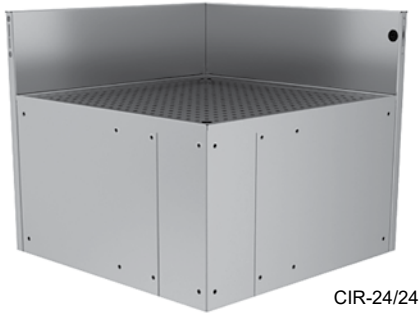
MODEL	LIST	LENGTH	WEIGHT
RDBB-12S	\$1,508	12"	60#
RDBB-18S	\$1,706	18"	65#
RDBB-24S	\$1,940	24"	70#
RDBB-30S	\$2,137	30"	75#

Bar Fabrication - Main Line

Corner drainboards are used when an underbar line-up turns, either 90° or less. The direction of the turn may be toward or away from the bartender. A turn that is toward the bartender requires an inside corner. A turn that is away from the bartender requires an outside corner. Corner drainboards are constructed using the same drain pan with separate removable perforated-insert design as all Glastender drainboards.

PRODUCT INFORMATION

(see CIR Spec Sheet for complete details)



CIR-24/24

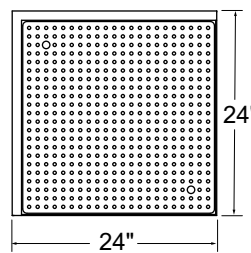
*NOTE: These items are manufactured to order and are not returnable

Corner Inside Rectangle Drainboards are for 90° inside turns only. The dimensions of the corner are specified in the model number. If the dimensions of each side are not the same, the longest dimension is specified second along with its location.

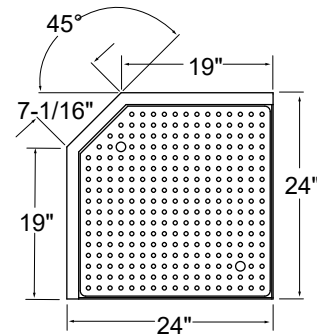
Corner drainboards are designed to mount between two pieces of underbar. However, corner drainboards can be used to mount between any two stable vertical surfaces. Corners should not be mounted to objects that are mobile or on casters.

Because they are intended to mount between two vertical surfaces, corner drainboards do not come with legs. If one side of the corner does not have a vertical surface on which to mount, then a leg set must be ordered as an accessory.

PLAN VIEWS



CIR-24/24



CIR-24/24 with chamfered back corner

CORNER INSIDE RECTANGLE DRAINBOARDS

MODEL	LIST	LEFT	RIGHT	WEIGHT
CIR-19/19*	\$1,234	19"	19"	40#
CIR-19/24L	\$1,316	24"	19"	45#
CIR-19/24R	\$1,316	19"	24"	45#
CIR-19/30L*	\$1,413	30"	19"	50#
CIR-19/30R*	\$1,413	19"	30"	50#
CIR-24/24	\$1,410	24"	24"	50#
CIR-24/30L	\$1,525	30"	24"	60#
CIR-24/30R	\$1,525	24"	30"	60#

CORNER INSIDE RECTANGLE DRAINBOARDS WITH CHAMFERED BACK CORNER

MODEL	LIST	LEFT	RIGHT	WEIGHT
CIR-19/19-N*	\$1,278	19"	19"	40#
CIR-24/24-N*	\$1,456	24"	24"	50#
CIR-24/24-LN*	\$1,505	24"	24"	50#

Corner Inside and Outside L Shape Drainboards*

Pricing effective January 1, 2025

PRODUCT INFORMATION

(see CILB and COLB Spec Sheets for complete details)

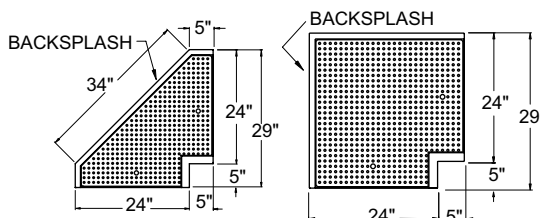


CILB



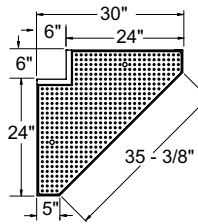
COLB

PLAN VIEWS

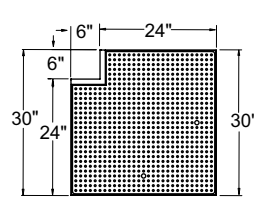


CILB-LN

CILB



COLB-LN



COLB

CORNER INSIDE & OUTSIDE L SHAPE DRAINBOARDS*

MODEL	LIST	DEPTH	TURN	WEIGHT
CILB	\$1,816	24"	Inside	50#
COLB	\$1,824	24"	Outside	60#
CILB-LN	\$1,830	24"	Inside	50#
COLB-LN	\$1,725	24"	Outside	55#

Corner Inside and Outside L Shape Drainboards are for 90° inside or outside turns. They are designed to align with 24" deep underbar.

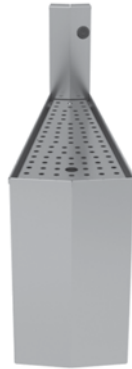
Corner Inside and Outside Wedge Drainboards are for 75° and smaller inside and outside turns. They are designed to align with 19" or 24" deep underbar.

PRODUCT INFORMATION

(see CIW and COW Spec Sheets for complete details)

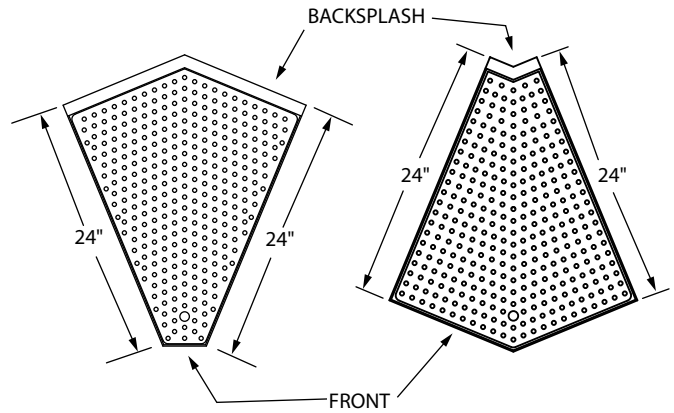


CIWA-15



COWA-15

Sample Corner Inside and Outside Wedge Drainboard Plan Views



CIWB-45
(Plan View)

COWB-45
(Plan View)

19" DEEP CORNER WEDGE DRAINBOARDS*

MODEL	LIST	DEGREE	TURN	WEIGHT
CIWA-75	\$1,587	75°	Inside	45#
COWA-75	\$1,670	75°	Outside	45#
CIWA-60	\$1,386	60°	Inside	40#
COWA-60	\$1,429	60°	Outside	40#
CIWA-45	\$1,224	45°	Inside	36#
COWA-45	\$1,230	45°	Outside	36#
CIWA-30	\$1,096	30°	Inside	33#
COWA-30	\$1,077	30°	Outside	33#
CIWA-15	\$1,006	15°	Inside	30#
COWA-15	\$970	15°	Outside	30#
CIWA-10**	\$532	10°	Inside	27#
CIWA-5**	\$515	5°	Inside	25#

*NOTE: These items are manufactured to order and are not returnable

**NOTE: 5° and 10° models have a flat fillerboard top

24" DEEP CORNER WEDGE DRAINBOARDS*

MODEL	LIST	DEGREE	TURN	WEIGHT
CIWB-75	\$1,930	75°	Inside	50#
COWB-75	\$2,044	75°	Outside	50#
CIWB-60*	\$1,632	60°	Inside	45#
COWB-60	\$1,707	60°	Outside	45#
CIWB-45	\$1,422	45°	Inside	40#
COWB-45	\$1,428	45°	Outside	40#
CIWB-30	\$1,236	30°	Inside	37#
COWB-30	\$1,213	30°	Outside	37#
CIWB-25	\$1,186	25°	Inside	37#
CIWB-20	\$1,139	20°	Inside	35#
CIWB-15	\$1,092	15°	Inside	35#
COWB-15	\$1,062	15°	Outside	35#
CIWB-10**	\$564	10°	Inside	27#
CIWB-5**	\$541	5°	Inside	25#

Does your Corner Drainboard need a leg set?

Corner drainboards are designed to be attached between two pieces of underbar, or two stable vertical surfaces and do not include legs. If attached to equipment or surface on only one side, a leg set for one-side mounting is needed. Some models can also be converted to freestanding using the applicable leg set. See table for applicable models.

CONFIGURABLE LEG SET OPTIONS

APPLICABLE MODEL	DESCRIPTION	LIST
CILB and COLB	Leg set, one-side mounting	\$147
CILB and COLB	Leg set, freestanding	\$422
CIR	Leg set, one-side mounting	\$147
CIR	Leg set, freestanding (CIR-24/24-LN excluded)	\$422
CIWA and CIWB	Leg set, one-side mounting (5° and 10° models excluded)	\$147
COWA and COWB	Leg set, one-side mounting	\$147

NOTE:
CIWA/B and COWA/B models cannot be freestanding

Glassracks are designed to hold three racks of glassware: one on the bottom shelf and one on each of the two adjustable glass rack slides. The 24" wide models hold 20" by 20" racks and the 18" wide models hold the 16" round racks used with the Glastender GT-18 glasswashers.

PRODUCT INFORMATION

(see GR Spec Sheet for complete details)

STANDARD FEATURES

- All stainless steel construction
- Adjustable stainless steel bullet feet
- Full bottom shelf with drain
- Two adjustable glass rack slides
- Storage for three (3) glassracks

*NOTE: Glassracks are manufactured to order and are not returnable



GRB-24

19" DEEP GLASSRACKS

MODEL	LIST	LENGTH	WEIGHT
GRA-18	\$1,824	18"	60#
GRA-24	\$2,021	24"	70#

24" DEEP GLASSRACKS

MODEL	LIST	LENGTH	WEIGHT
GRB-18	\$2,039	18"	70#
GRB-24	\$2,246	24"	80#

Bar Fabrication - Main Line

Drainboard Glassracks

Pricing effective January 1, 2025

Drainboard Glassracks have a stationary or roll-out bottom shelf, adjustable or roll-out intermediate shelf, and drainboard work surface. All models are 24" deep. The 24" wide models hold 20" by 20" racks and the 18" wide model holds the 16" round racks used with the Glastender GT-18 glasswashers. Since drainboard glassrack shelves are solid, they can be used for non-glassrack storage also. (If a 19" deep drainboard glassrack is required, please see 19" deep drainboard cabinets less doors on page 30)

PRODUCT INFORMATION

(see DBGR Spec Sheet for complete details)

STANDARD FEATURES

- All stainless steel construction
- Adjustable stainless steel bullet feet
- One-piece seamless top, front rail and backsplash
- DBGR-18 and DBGR-24 have bottom shelf and one adjustable intermediate shelf
- DBGR-24-RS has roll-out bottom shelf and one roll-out intermediate shelf (intermediate shelf is not adjustable)
- Solid shelves are also usable for non-glassrack storage
- Work surface consists of a drainboard top with drain pan and separate perforated insert for better air circulation
- Intermediate shelf is still removable after unit is plumbed
- Smooth interior walls for easy cleaning and a finished appearance



DBGR-24-RS
(Glassrack not included)



DBGR-18

24" DEEP DRAINBOARD GLASSRACKS

MODEL	LIST	LENGTH	WEIGHT
DBGR-18	\$2,233	18"	80#
DBGR-24	\$2,468	24"	90#
DBGR-24-RS	\$3,611	24"	100#



DBCB-18

Drainboard Cabinets have a bottom shelf, adjustable intermediate shelf, and drainboard work surface. They are available with or without doors. The models with doors come with a lock standard. The 12", 18", and 24" wide models have one door and all other models have two doors.

NOTE: Drainboard Cabinets are also available with a flat stainless steel fillerboard top in lieu of the drainboard top. Substitute an 'F' for the 'D' in the model number when ordering and use the same price. Fillerboards cabinets are manufactured to order and are not returnable.

PRODUCT INFORMATION

(see DBC Spec Sheet for complete details)

STANDARD FEATURES

- All stainless steel construction
- Adjustable stainless steel bullet feet
- One-piece seamless top, front rail and backsplash
- One bottom shelf and one adjustable intermediate shelf
- Shelves are removable and feature radius corners for easy cleaning
- Available with or without doors
- Doors feature integral handle
- Lock standard on models with doors
- Work surface consists of a drainboard top with drain pan and separate perforated insert for better air circulation
- Floor and intermediate shelf are still removable after unit is plumbed
- Smooth interior walls for easy cleaning and a finished appearance

Bar Fabrication - Main Line

19" DEEP DRAINBOARD CABINETS

MODEL	LIST	LENGTH	WEIGHT
DBCA-12*	\$2,369	12"	75#
DBCA-18*	\$2,671	18"	85#
DBCA-24*	\$2,974	24"	95#
DBCA-30*	\$3,344	30"	105#
DBCA-36*	\$3,646	36"	115#
DBCA-42*	\$3,950	42"	125#
DBCA-48*	\$4,255	48"	135#

24" DEEP DRAINBOARD CABINETS

MODEL	LIST	LENGTH	WEIGHT
DBCB-12	\$2,408	12"	85#
DBCB-18	\$2,727	18"	95#
DBCB-24	\$3,043	24"	105#
DBCB-30*	\$3,436	30"	115#
DBCB-36*	\$3,753	36"	125#
DBCB-42*	\$4,071	42"	135#
DBCB-48*	\$4,392	48"	145#

19" DEEP DRAINBOARD CABINETS LESS DOORS

MODEL	LIST	LENGTH	WEIGHT
DBCA-12-LD*	\$1,929	12"	60#
DBCA-18-LD*	\$2,143	18"	70#
DBCA-24-LD*	\$2,361	24"	80#
DBCA-30-LD*	\$2,577	30"	90#
DBCA-36-LD*	\$2,792	36"	100#
DBCA-42-LD*	\$3,010	42"	110#
DBCA-48-LD*	\$3,228	48"	120#

24" DEEP DRAINBOARD CABINETS LESS DOORS

MODEL	LIST	LENGTH	WEIGHT
DBCB-12-LD	\$1,997	12"	70#
DBCB-18-LD	\$2,233	18"	80#
DBCB-24-LD	\$2,468	24"	90#
DBCB-30-LD*	\$2,699	30"	100#
DBCB-36-LD*	\$2,933	36"	110#
DBCB-42-LD*	\$3,165	42"	120#
DBCB-48-LD*	\$3,403	48"	130#

*NOTE: These items are manufactured to order and are not returnable



DBHA-18-LD

19" DEEP DRAINBOARD HALF CABINETS

MODEL	LIST	DOOR	LENGTH	WEIGHT
DBHA-12	\$1,991	Yes	12"	50#
DBHA-18	\$2,249	Yes	18"	55#
DBHA-24	\$2,489	Yes	24"	60#
DBHA-12-LD	\$1,690	No	12"	40#
DBHA-18-LD	\$1,896	No	18"	45#
DBHA-24-LD	\$2,104	No	24"	50#

24" DEEP DRAINBOARD HALF CABINETS

MODEL	LIST	DOOR	LENGTH	WEIGHT
DBHB-12	\$2,004	Yes	12"	60#
DBHB-18	\$2,260	Yes	18"	65#
DBHB-24	\$2,525	Yes	24"	70#
DBHB-12-LD	\$1,734	No	12"	50#
DBHB-18-LD	\$1,958	No	18"	55#
DBHB-24-LD	\$1,991	No	24"	60#

Bar Fabrication - Main Line

*NOTE: Drainboard Cabinets are manufactured to order and are not returnable

PRODUCT INFORMATION

(see DBH Spec Sheet for complete details)

STANDARD FEATURES: All stainless steel construction • Adjustable stainless steel bullet feet • One-piece seamless top, front rail and backsplash • Available with or without a door • Door features integral handle • Lock standard on models with a door • Work surface consists of a drainboard top with drain pan and separate perforated insert for better air circulation • Floor is still removable after unit is plumbed and includes radius corners for easy cleaning • Smooth interior walls for easy cleaning and a finished appearance

Drainboard Half Cabinets increase the available storage area yet are still on 16" legs allowing room for cleaning underneath. Drainboard Half Cabinets have a bottom shelf and drainboard work surface. They are available with or without a door (use suffix '-LD' for models without a door). The models with a door include a lock standard.

NOTE: Drainboard Half Cabinets are also available with a flat stainless steel fillerboard top in lieu of the drainboard top. Substitute an 'F' for the 'D' in the model number when ordering and use the same price.



ACB-18 (Shown without attached equipment)

PRODUCT INFORMATION

(see ACB Spec Sheet for complete details)

The Add-On Cabinet Base is designed to be installed beneath standard underbar equipment to provide additional storage • It can also enhance the look of your bar by eliminating the need to store loose items on the floor and making plumbing less visible • The Add-On Cabinet Base features a stainless steel floor that does not go all the way to the back of the cabinet, which provides an access opening for plumbing • The removable stainless steel floor has radius corners for easy cleaning • The interior walls are dual panel constructed for an easy to clean, smooth interior

*NOTE: Add-On Cabinet Bases are manufactured to order and are not returnable

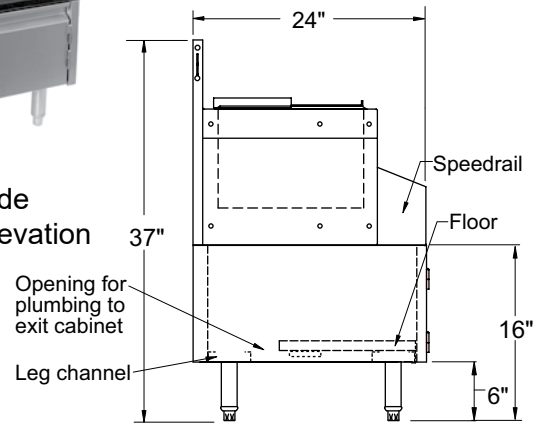
ADD-ON CABINET BASES

MODEL	LIST	DOOR	LENGTH	WEIGHT
ACB-12	\$1,178	One	12"	20#
ACB-14	\$1,190	One	14"	22#
ACB-16	\$1,200	One	16"	24#
ACB-18	\$1,229	One	18"	25#
ACB-20	\$1,256	One	20"	27#
ACB-22	\$1,284	One	22"	29#
ACB-24	\$1,505	Two	24"	30#
ACB-26	\$1,507	Two	26"	32#
ACB-28	\$1,535	Two	28"	32#
ACB-30	\$1,564	Two	30"	35#
ACB-32	\$1,592	Two	32"	37#
ACB-34	\$1,620	Two	34"	37#
ACB-36	\$1,649	Two	36"	40#
ACB-38	\$1,676	Two	38"	42#
ACB-40	\$1,720	Two	40"	42#
ACB-42	\$1,750	Two	42"	45#
ACB-44	\$1,778	Two	44"	47#
ACB-46	\$1,805	Two	46"	47#
ACB-48	\$1,835	Two	48"	50#



ACB-18 with LDA-18S attached

Side Elevation



POS Cabinets

PRODUCT INFORMATION

(see PCB Spec Sheet for complete details)

Available in 18" and 24" lengths, POS Cabinets have a 26" high work surface to accommodate a cash drawer and POS monitor • A louvered door to ventilate the storage cabinet is standard • The work surface includes a grommeted cord access hole



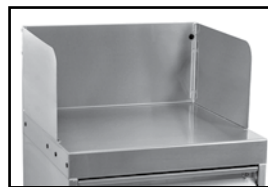
PCB-24

STANDARD FEATURES

- All stainless steel construction with adjustable bullet feet
- One-piece, seamless top and backsplash
- Louvered door features integral handle
- Door lock standard
- Special 26" high work surface height to accommodate cash drawer and POS monitor
- Grommeted cord access hole in work surface
- Large access hole in back wall of unit
- Smooth interior walls for easy cleaning and a finished appearance

24" DEEP POS CABINETS

MODEL	LIST	LENGTH	WEIGHT
PCB-18	\$2,957	18"	75#
PCB-24	\$3,257	24"	85#



LSP & RSP Accessories (shown on PCB-24)

POS CABINET ACCESSORIES*

MODEL	DESCRIPTION	LIST	WEIGHT
LSP	Left side splash	\$178	4#
RSP	Right side splash	\$178	4#

*NOTE: Verify cash drawer width before ordering side splash accessories

All faucets are certified low lead compliant

PRODUCT INFORMATION

(see HS, DHS, SW, SW Cabinets, and FS12 Spec Sheets for complete details)

19" DEEP HAND SINKS

MODEL	LIST	LENGTH	WEIGHT
HSA-12	\$1,979	12"	45#
HSA-18*	\$2,007	18"	50#
HSA-12-D	\$2,325	12"	50#
DHSA-18	\$2,760	18"	60#

24" DEEP HAND SINKS

MODEL	LIST	LENGTH	WEIGHT
HSB-12	\$2,069	12"	50#
HSB-18*	\$2,170	18"	55#
HSB-12-D*	\$2,427	12"	55#
HSB-12-AD	\$2,474	12"	55#
DHSB-12	\$2,728	12"	60#
DHSB-12-C	\$3,461	12"	75#
DHSB-18	\$2,874	18"	70#



HSA-12

HSA-12-D

HSA-12-D with LSA-D and RSA-D

19" DEEP WET WASTE SINKS

MODEL	LIST	LENGTH	WEIGHT
SWA-12	\$2,045	12"	47#
SWA-18*	\$2,073	18"	52#

24" DEEP WET WASTE SINKS

MODEL	LIST	LENGTH	WEIGHT
SWB-12	\$2,135	12"	52#
SWB-18*	\$2,236	18"	57#



SWB-12

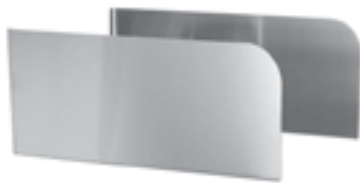
*NOTE: These units are manufactured to order and are not returnable



HSB-12-AD



DHSB-12



LSA-D and RSA-D

CONFIGURABLE OPTIONS

MODEL	DESCRIPTION	LIST	WEIGHT
LSA-D	19" deep left side splash	\$178	4#
RSA-D	19" deep right side splash	\$178	4#
LSB-D	24" deep left side splash	\$208	5#
RSB-D	24" deep right side splash	\$208	5#
FOF-B	Foot-operated backsplash faucet for HSA-12, HSA-12-D, HSB-12-AD, FS12, SWA-12	\$658	3#
FOF-D	Foot-operated deck faucet for HSA-18, HSB-12, HSB-12-D, HSB-18, DHSA-18, DHSB-12, DHSB-18, SWB-12-C, SWB-18-DW, SWB-18-DB, SWB-24L-C, SWB-24R-C, SWA-18, SWB-12, SWB-18	\$502	3#
KOF-D	Knee-operated deck faucet for HSB-12, HSB-18, SWB-12, SWB-18	\$519	3#



FOF-B
Optional foot-operated backsplash faucet



KOF-D
Optional knee-operated deck faucet



FOF-D
Optional foot-operated deck faucet

NOTE: FOF and KOF - see table for applicable models

WARNING: The plastic wet waste strainer included with this product can expose you to chemicals including Bisphenol A (BPA), which is known to the State of California to cause birth defects or other reproductive harm. For more information, go to www.P65Warnings.ca.gov. **Warning applies to State of California only.** Part #03000483

Bar Fabrication - Main Line

All faucets are certified low lead compliant

FS12 - Patented.
For more information visit:
<https://www.glastender.com/patents>

FS12 - The Fusion Sink is a combination hand sink and wet waste sink. The tiered unit includes an upper hand sink with faucet and soap dispenser, a lower sink with lift-out perforated plastic wet waste strainer, and side splashes. The upper sink drains into the lower sink to help melt ice. A front-flush C-fold paper towel dispenser is included in the front skirt.

24" DEEP MULTI-PURPOSE SINKS

MODEL	LIST	LENGTH	WEIGHT
FS12	\$4,363	12"	75#
SWB-12-C	\$3,101	12"	75#
SWB-18-DW	\$3,473	18"	85#
SWB-18-DB	\$2,798	18"	65#
SWB-24L-C*	\$4,134	24"	105#
SWB-24R-C*	\$4,134	24"	105#

*L = Sink Left, R = Sink Right



SWB-12-C - Includes a sink with faucet and lift-out perforated plastic wet waste strainer and cabinet base with hinged access door for storing up to three one-gallon chemical containers.



SWB-18-DW - Includes a sink with faucet and lift-out perforated plastic wet waste strainer, dry waste chute and cabinet base with hinged access door for storing a trash receptacle. A stainless (DWC) or plastic (03005391) trash receptacle is offered as a separate accessory.



SWB-18-DB - Tiered unit includes an upper drainboard and a lower sink with a faucet and lift-out perforated plastic wet waste strainer.



SWB-24L-C - Dual purpose work surface is half drainboard and half sink. Includes a faucet and lift-out perforated plastic wet waste strainer. The open-front cabinet base includes a center divider wall for storing up to three one-gallon chemical containers on one side and dry storage on the other.

Bar Fabrication - Main Line



TR

†NOTE: Speed rails and dry waste rails cannot be mounted to models:

- HSA-12-D
- DHSA-18
- HSB-12-D
- HSB-12-AD
- DHSB-12
- DHSB-18
- SWB-12-C
- SWB-18-DW
- SWB-18-DB
- SWB-24L-C
- SWB-24R-C

◆NOTE: TD-C Paper towel dispenser cannot be mounted to models:

- SWB-12-C
- SWB-18-DW
- SWB-18-DB
- SWB-24L-C
- SWB-24R-C

ACCESSORIES

MODEL	DESCRIPTION	LIST	WEIGHT
SSR-12†	12" single speed rail	\$249	4#
SSR-18†	18" single speed rail	\$274	6#
DSR-12†	12" double speed rail	\$494	8#
DSR-18†	18" double speed rail	\$542	12#
03000483	Wet waste sink strainer	\$66	2#
TR	Towel ring	\$24	1#
DWR-12†	Dry waste rail	\$261	6#
03000511	Wrist handles (set of two)	\$56	2#
DWC	Trash receptacle, stainless steel	\$583	10#
03005491	Trash receptacle, 28½ qt, gray plastic	\$83	5#
TD-C◆	Paper towel dispenser, C-fold	\$319	5#
03001873	Liquid soap dispenser, hand-pump	\$92	1#
03014739	Aerator, faucet, 1.5 GPM	\$17	1#
03014738	Aerator, faucet, 0.5 GPM	\$17	1#
03014737	Aerator, faucet, 0.2 GPM	\$17	1#

⚠WARNING: The plastic wet waste strainer included with this product can expose you to chemicals including Bisphenol A (BPA), which is known to the State of California to cause birth defects or other reproductive harm. For more information, go to www.P65Warnings.ca.gov. **Part #03000483**
Warning applies to State of California only.

All faucets are certified low lead compliant

PRODUCT INFORMATION

(see DS, TS, and FS Spec Sheets for complete details)

- Compartment Sinks come in three different varieties: two, three, and four compartment
- They feature an exclusive one-piece 18 gauge stainless steel top that is seamless from the front rail all the way through the backsplash
- Each variety is offered with or without built-in drainboards on one or both sides of the sink compartment
- Drainboards, where included, are a seamless and integral part of the work surface
- The seamless welded bowls are 16 gauge fabricated stainless steel
- An 'L' or 'R' suffix in the model number designates the location of the sink compartment as left or right when there is only one drainboard

STANDARD FEATURES

- All stainless steel construction and stainless steel bullet feet
- One-piece seamless top, front rail and backsplash
- 16 gauge stainless steel fabricated sink bowls
- 19" deep models have a backsplash mounted faucet
- Integral drainboards have lift-out stainless steel perforated insert
- Perforated stainless steel inserts are available to cover sinks when not in use
- Includes one overflow tube per bowl



*NOTE: These Compartment Sink Units are manufactured to order and are not returnable

TWO COMPARTMENT SINKS WITH STAINLESS SINK SECTION

19" DEEP		24" DEEP		OVERALL LENGTH	SINK LOCATION	DRAINBOARD LENGTH	WEIGHT
MODEL	LIST	MODEL	LIST				
DSA-24-S*	\$3,512	DSB-24-S*	\$3,505	24"	Center	N/A	90#
DSA-36L-S*	\$3,825	DSB-36L-S*	\$3,852	36"	Left	12"	100#
DSA-36R-S*	\$3,825	DSB-36R-S*	\$3,852	36"	Right	12"	100#
DSA-48-S*	\$4,097	DSB-48-S*	\$4,223	48"	Center	2 @ 12"	110#

THREE COMPARTMENT SINKS WITH STAINLESS SINK SECTION

19" DEEP		24" DEEP		OVERALL LENGTH	SINK LOCATION	DRAINBOARD LENGTH	WEIGHT
MODEL	LIST	MODEL	LIST				
TSA-36-S	\$4,061	TSB-36-S	\$4,089	36"	Center	N/A	110#
TSA-48L-S*	\$4,336	TSB-48L-S*	\$4,435	48"	Left	12"	120#
TSA-48R-S*	\$4,336	TSB-48R-S*	\$4,435	48"	Right	12"	120#
TSA-60-S	\$4,635	TSB-60-S	\$4,787	60"	Center	2 @ 12"	130#
TSA-60L-S*	\$4,635	TSB-60L-S*	\$4,787	60"	Left	24"	130#
TSA-60R-S*	\$4,635	TSB-60R-S*	\$4,787	60"	Right	24"	130#
TSA-66L-S*	\$4,751	TSB-66L-S*	\$4,934	66"	Left	30"	140#
TSA-66R-S*	\$4,751	TSB-66R-S*	\$4,934	66"	Right	30"	140#
TSA-72-S	\$4,878	TSB-72-S	\$5,074	72"	Center	2 @ 18"	145#
TSA-84-S*	\$5,216	TSB-84-S*	\$5,470	84"	Center	2 @ 24"	160#
TSA-96-S*	\$5,485	TSB-96-S*	\$5,800	96"	Center	2 @ 30"	175#

FOUR COMPARTMENT SINKS WITH STAINLESS SINK SECTION

19" DEEP		24" DEEP		OVERALL LENGTH	SINK LOCATION	DRAINBOARD LENGTH	WEIGHT
MODEL	LIST	MODEL	LIST				
FSA-48-S*	\$4,991	FSB-48-S*	\$5,063	48"	Center	N/A	125#
FSA-60L-S*	\$5,270	FSB-60L-S*	\$5,396	60"	Left	12"	140#
FSA-60R-S*	\$5,270	FSB-60R-S*	\$5,396	60"	Right	12"	140#
FSA-66L-S*	\$5,405	FSB-66L-S*	\$5,563	66"	Left	18"	150#
FSA-66R-S*	\$5,405	FSB-66R-S*	\$5,563	66"	Right	18"	150#
FSA-72-S	\$5,572	FSB-72-S	\$5,723	72"	Center	2 @ 12"	155#
FSA-72L-S*	\$5,572	FSB-72L-S*	\$5,723	72"	Left	24"	155#
FSA-72R-S*	\$5,572	FSB-72R-S*	\$5,723	72"	Right	24"	155#
FSA-84-S*	\$5,888	FSB-84-S*	\$6,109	84"	Center	2 @ 18"	170#
FSA-96-S*	\$6,165	FSB-96-S*	\$6,433	96"	Center	2 @ 24"	185#

ACCESSORIES

MODEL	DESCRIPTION	LIST	WGT
SSR-24	24" single speed rail	\$300	7#
SSR-36	36" single speed rail	\$348	12#
SSR-48	48" single speed rail	\$400	18#
SSR-60	60" single speed rail	\$612	28#
SSR-66	66" single speed rail	\$638	32#
SSR-72	72" single speed rail	\$661	35#
SSR-84	84" single speed rail	\$714	42#
DSR-24	24" double speed rail	\$584	14#
DSR-36	36" double speed rail	\$683	24#
DSR-48	48" double speed rail	\$789	44#
DSR-60	60" double speed rail	\$1,090	56#
DSR-66	66" double speed rail	\$1,149	64#
DSR-72	72" double speed rail	\$1,197	70#
DSR-84	84" double speed rail	\$1,294	84#
TR	Towel ring	\$24	1#
LWS	Large wet waste strainer	\$88	3#
DWR-12	Dry waste rail	\$261	6#
03002552	Sink cover, perforated for DSA or DSB	\$171	5#
03002553	Sink cover, perforated for TSA or TSB	\$256	8#
03002554	Sink cover, perforated for FSA or FSB	\$344	12#

All faucets are certified low lead compliant

MFS-12 MIXOLOGY UNIT*

Includes 9-1/4" by 11-1/2" by 6" deep sink, backsplash-mounted faucet, lift-out perforated plastic sink strainer, and 8" by 11" securely mounted and easily removable cutting board.

MODEL	LIST	LTH	WGT
MFS-12	\$2,686	12"	55#

*NOTE: This unit is manufactured to order and is not returnable

MFT-8 MIXOLOGY UNIT

Includes 6" diameter mixology tool well with faucet, push-down rinser faucet, and 7-1/2" by 7-1/2" securely mounted and easily removable cutting board. NOTE: No legs. Must mount to adjacent underbar.

MODEL	LIST	LTH	WGT
MFT-8	\$2,703	8"	40#

MFT-20 MIXOLOGY UNIT

Includes 9-1/4" by 11-1/2" by 6" deep sink, backsplash-mounted faucet, lift-out perforated plastic sink strainer, push-down rinser faucet, 6" diameter mixology tool well with faucet, 8" by 11" securely mounted and easily removable cutting board, and removable ice scoop well.

MODEL	LIST	LTH	WGT
MFT-20	\$4,429	20"	65#

MRS-12 MIXOLOGY UNIT

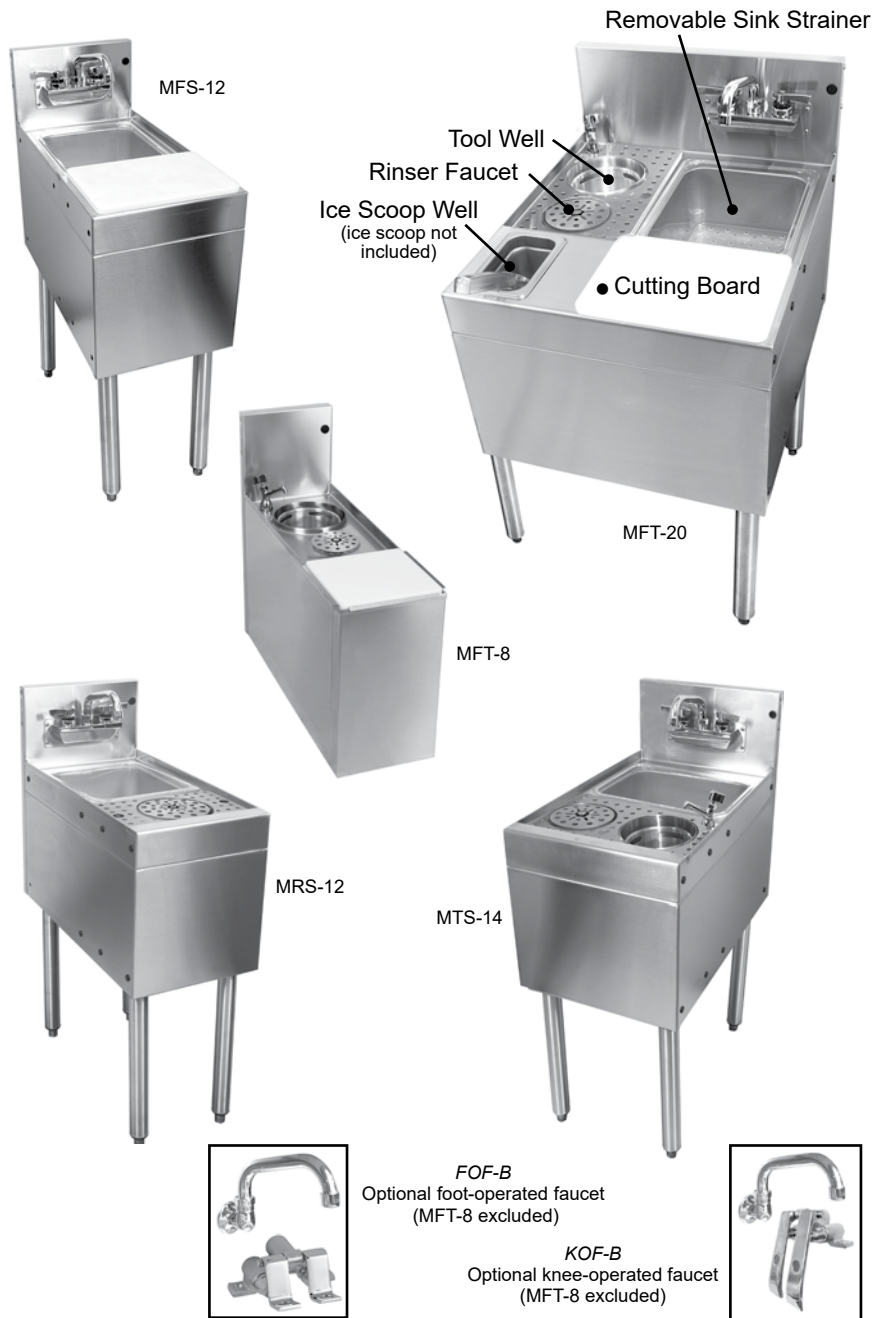
Includes 9-1/4" by 11-1/2" by 6" deep sink, backsplash-mounted faucet, lift-out perforated plastic sink strainer, and push-down rinser faucet.

MODEL	LIST	LTH	WGT
MRS-12	\$2,734	12"	55#

MTS-14 MIXOLOGY UNIT

Includes 9-1/4" by 11-1/2" by 6" deep sink, backsplash-mounted faucet, lift-out perforated plastic sink strainer, push-down rinser faucet, and 6" diameter mixology y tool well with faucet.

MODEL	LIST	LTH	WGT
MTS-14	\$4,042	14"	55#



Bar Fabrication - Main Line

Rinser faucet installation notes:

- Important: Unit must be installed in conformance with applicable federal, state, and local plumbing codes, including adequate backflow when required.
- Must install backflow prevention device conforming to ANSI/ASSE 1022 or ANSI/ASSE 1024 to meet plumbing code (not included).
- Install in-line water regulator (included).
- A separate shut-off valve is recommended (not included).

⚠ WARNING: The plastic wet waste strainer included with this product can expose you to chemicals including Bisphenol A (BPA), which is known to the State of California to cause birth defects or other reproductive harm. For more information, go to www.P65Warnings.ca.gov. **Warning applies to State of California only.** Part #03000483

CONFIGURABLE OPTIONS

MODEL	DESCRIPTION	LIST	WGT
LSM	Left side splash, MFS-12, MFT-8 or MFT-20	\$178	4#
RSM	Right side splash, MFS-12, MFT-8 or MFT-20	\$178	4#
LSB-D	Left side splash, MRS-12, MTS-14	\$208	5#
RSB-D	Right side splash, MRS-12, MTS-14	\$208	5#
FOF-B	Foot-operated backsplash faucet (MFT-8 excluded)	\$658	3#
KOF-B	Knee-operated backsplash faucet (MFT-8 excluded)	\$673	3#

All faucets are certified low lead compliant

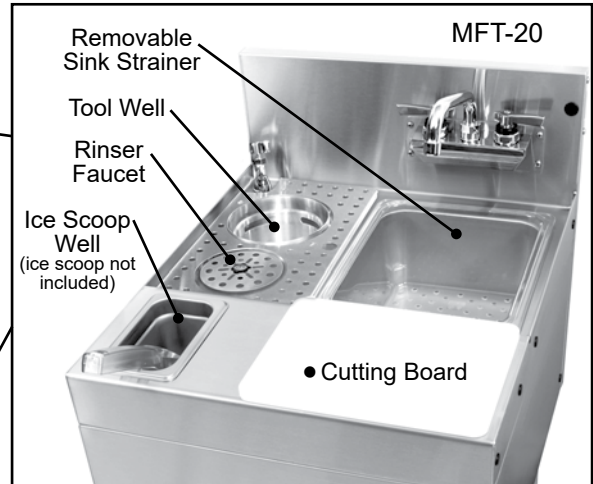
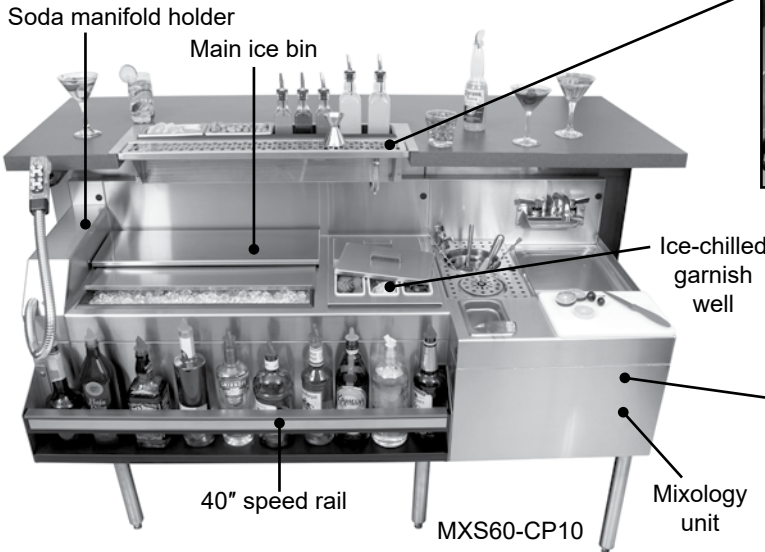
Mixology Stations include the following standard features:

- 4" soda manifold holder
- 24" main ice bin liner
- 12" garnish well
- Single speed rail
- 20" mixology unit

*NOTE: Mixology stations are manufactured to order and are not returnable

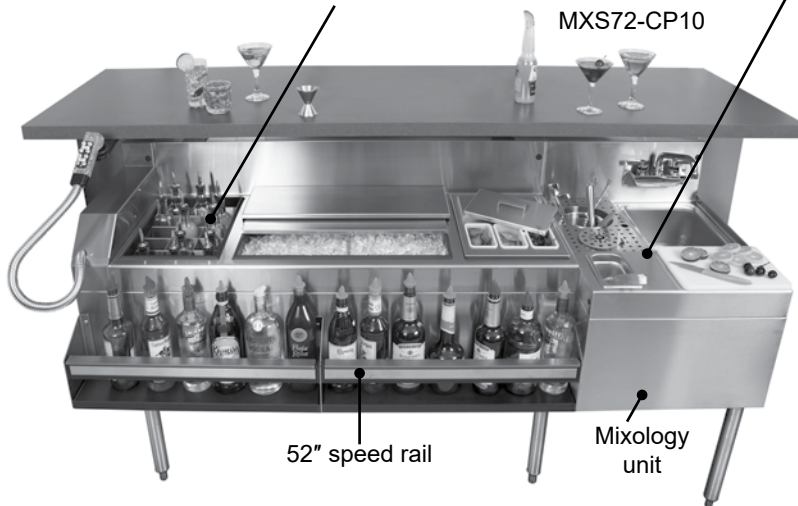


Drop-in mixology drink rail
(See next page for drop-in mixology wells)



What is different about the 72" mixology station?

The MXS72-CP10 mixology station is 12" longer, because it also includes a 12" elixir bottle well.



PRODUCT INFORMATION

(see MXS Spec Sheet for complete details)

STANDARD FEATURES

- All stainless steel construction
- Complete line up is flush at 24" deep to match adjacent underbar
- The SMHA-4 soda manifold housing is designed to house the manifold of Wunder-Bar® or Schroeder America™ 8 to 14 button soda guns
- The garnish well and ice bin are foamed-in-place insulated and include a PVC plastic breaker strip around the liner to prevent thermal transfer so ice lasts longer
- The ice bin includes a built-in ten circuit cold plate, sliding stainless steel cover, and stainless steel ice bin divider
- The garnish well provides ice-chilled storage for six pint-size (16 oz.) condiment cups and includes two lift-off stainless steel covers
- A single speed rail is included
- The MFT-20 model mixology unit includes a push-down rinser faucet to rinse shaker cans, a lift-out perforated plastic sink strainer, a 6" diameter seamless welded draining dipper well and faucet for mixology tools, an 8" x 11" cutting board that is securely mounted but easily removable for cleaning, and an ice scoop well
- The MXS72-CP10 model also includes an elixir bottle well with BRM15 stainless steel rack to hold 15 elixir bottles (NOTE: Recommend Tablecraft 916 (16 oz.) or 9085 (8.5 oz.) olive oil bottles)

MIXOLOGY STATION

MODEL	LIST	LENGTH	WEIGHT
MXS60-CP10	\$11,811	60"	279#
MXS72-CP10	\$13,468	72"	322#

Rinser faucet installation notes:

- Important: Unit must be installed in conformance with applicable federal, state, and local plumbing codes, including adequate backflow when required.
- Must install backflow prevention device conforming to ANSI/ASSE 1022 or ANSI/ASSE 1024 to meet plumbing code (not included).
- Install in-line water regulator (included).
- A separate shut-off valve is recommended (not included).

WARNING: The plastic wet waste strainer included with this product can expose you to chemicals including Bisphenol A (BPA), which is known to the State of California to cause birth defects or other reproductive harm. For more information, go to www.P65Warnings.ca.gov. **Warning applies to State of California only.** Part #03000483

Bar Fabrication - Main Line

PRODUCT INFORMATION

(see DI-MW Spec Sheet for complete details)

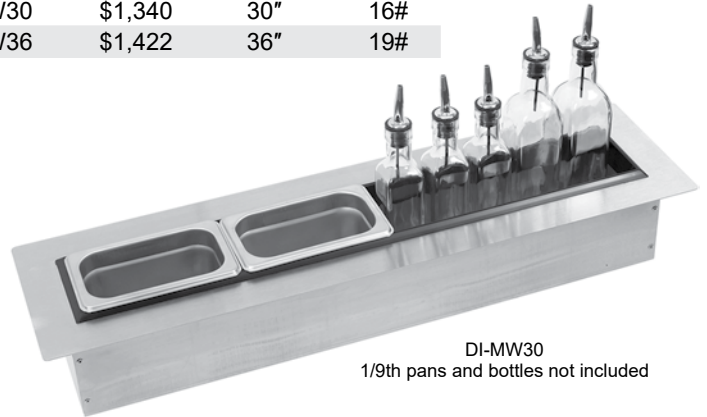
STANDARD FEATURES:

- Stainless steel top and interior liner
- PVC plastic breaker strip around well liner: creates 5/16" raised edge around liner and acts as thermal barrier to prevent heat transfer
- Stainless steel exterior wrap
- 4" deep well liner is 3-5/8" front-to-back
- Designed to hold up to 3-1/2" wide bottles or 1/9th pans
- Installation kit includes: 10' of clear vinyl drain tube, five - 4" Ty-wraps, one - 1/2" PVC elbow, one - 1/2" nylon elbow, and one drainline splicer

*NOTE: Drop-In Mixology Wells are manufactured to order and are not returnable

DROP-IN MIXOLOGY WELLS

MODEL	LIST	LENGTH	WEIGHT
DI-MW24	\$1,263	24"	13#
DI-MW30	\$1,340	30"	16#
DI-MW36	\$1,422	36"	19#



DI-MW30
1/9th pans and bottles not included

Pricing effective January 1, 2025

Drop-In Mixology Drink Rails*

PRODUCT INFORMATION

(see DI-MDR Spec Sheet for complete details)

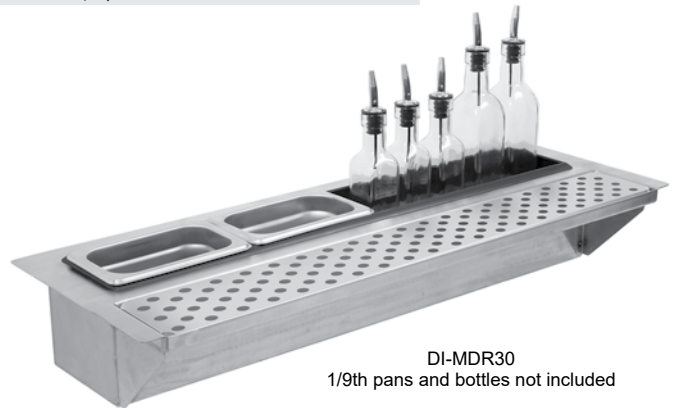
STANDARD FEATURES:

- Stainless steel top and interior liner
- PVC plastic breaker strip around ice bin liner: creates 5/16" raised edge around liner and acts as thermal barrier to prevent heat transfer
- One-piece top includes drain pan with removable perforated insert
- Stainless steel exterior wrap
- 4" deep well liner is 3-5/8" front-to-back
- Designed to hold up to 3-1/2" wide bottles or 1/9th pans
- Installation kit includes: 10' of clear vinyl drain tube, seven - 4" Ty-wraps, one - 1/2" PVC tee, one - 1/2" nylon elbow, and two drainline splicers

*NOTE: Drop-In Mixology Drink Rails are manufactured to order and are not returnable

DROP-IN MIXOLOGY DRINK RAILS

MODEL	LIST	LENGTH	WEIGHT
DI-MDR24	\$1,905	24"	16#
DI-MDR30	\$1,998	30"	20#
DI-MDR36	\$2,098	36"	24#



DI-MDR30
1/9th pans and bottles not included

Pricing effective January 1, 2025

Drop-In Drink Rails

PRODUCT INFORMATION

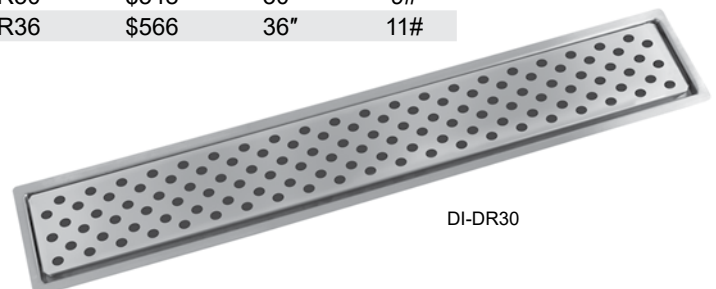
(see DI-DR Spec Sheet for complete details)

STANDARD FEATURES:

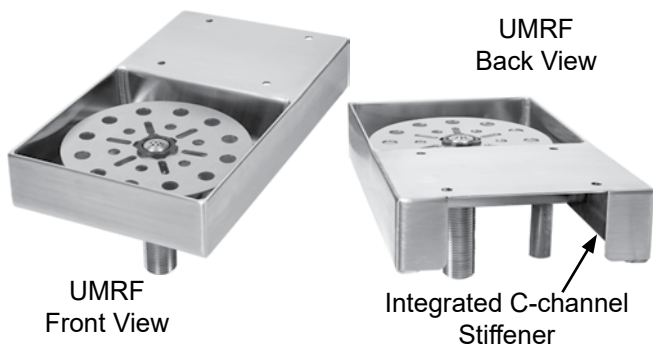
- All stainless steel construction
- Available in 24", 30", or 36" lengths
- Drain is a 1/2" welded tailpiece that exits from the bottom of the unit
- Drain pan includes 1/2" flange
- Installation kit includes: 10' of clear vinyl drain tube, five - 4" Ty-wraps, and two - 1/2" plastic elbows

DROP-IN DRINK RAILS

MODEL	LIST	LENGTH	WEIGHT
DI-DR24	\$527	24"	7#
DI-DR30	\$548	30"	9#
DI-DR36	\$566	36"	11#



DI-DR30



PRODUCT INFORMATION

(see UMRF Spec Sheet for complete details)

STANDARD FEATURES:

- All 18 gauge stainless steel construction
- Pan includes radius interior corners for easy cleaning
- Total welded construction with integrated C-channel sides for incredible rigidity
- Installation kit for plumbing 1/2" tailpiece drain - includes 10' of vinyl drain tube, (3) ty wraps, (1) elbow, (1) elbow to drain-line adaptor, (4) #10 x 1/2 screws
- Rear deck area with pre-punched screw holes for mounting to underside of bar top

Rinser faucet installation notes:

- Important: Unit must be installed in conformance with applicable federal, state, and local plumbing codes, including adequate backflow when required.
- Must install backflow prevention device conforming to ANSI/ASSE 1022 or ANSI/ASSE 1024 to meet plumbing code (not included).
- Install in-line water regulator (included).
- A separate shut-off valve is recommended (not included).

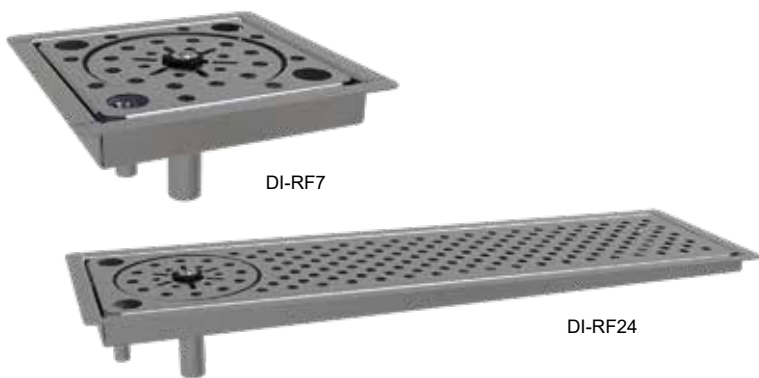
UMRF

MODEL	LIST	WEIGHT	WIDTH	DEPTH	HEIGHT
UMRF	\$879	8#	5"	9"	1-1/2"

Bar Fabrication - Main Line

Drop-In Rinser Faucets

Pricing effective January 1, 2025



PRODUCT INFORMATION

(see DI-RF Spec Sheet for complete details)

STANDARD FEATURES:

- All stainless steel construction
- Pan includes radius corners for easy cleaning
- Drain is a 1/2" welded tailpiece that exits from the bottom of the unit
- Drain pan includes 1/2" flange
- Installation kit includes: 10' of clear vinyl drain tube, five - 4" Ty-wraps, and two - 1/2" plastic elbows

Rinser faucet installation notes:

- Important: Unit must be installed in conformance with applicable federal, state, and local plumbing codes, including adequate backflow when required.
- Must install backflow prevention device conforming to ANSI/ASSE 1022 or ANSI/ASSE 1024 to meet plumbing code (not included).
- Install in-line water regulator (included).
- A separate shut-off valve is recommended (not included).

DROP-IN DRINK RAILS

MODEL	LIST	LENGTH	WEIGHT
DI-RF7	\$912	7"	8#
DI-RF12	\$938	12"	10#
DI-RF18	\$964	18"	12#
DI-RF24	\$990	24"	14#
DI-FR30	\$1,016	30"	16#
DI-FR36	\$1,042	36"	18#

Drop-In Rinser Faucets

Pricing effective January 1, 2025

Rinser faucet installation notes:

- Unit does not provide a 1" air gap.
- Must be installed with external backflow prevention to meet applicable feder, state, and local plumbing code requirements.
- Install in-line water pressure regulator (included).
- A separate shut-off valve is recommended (not included).



PRODUCT INFORMATION

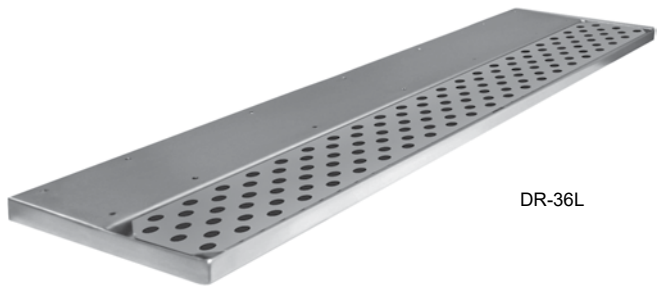
(see RF Spec Sheet for complete details)

STANDARD FEATURES:

- Stainless steel construction

RINSER FAUCETS

MODEL	LIST	WIDTH	HEIGHT	WEIGHT
RF-4	\$413	4"	3-1/2"	3#
RF-6	\$424	6"	3-1/2"	3#



DR-36L

Conveniently mounts to underside of bar top to provide stainless steel draining drink rail.

PRODUCT INFORMATION

(see DR Spec Sheet for complete details)

STANDARD FEATURES: All stainless steel construction • One-piece, seamless mounting deck and pan with removable perforated inserts • 30" and 36" models have one gusset and 42" and 48" models have two gussets for added strength • Drain consists of 1/2" welded tailpiece that exits from the back of the unit • 45° and 90° inside and outside corner filler sections available • Installation kit includes: 10' of clear vinyl drain tube, one 4" Ty-wrap, three #10 x 1/2" stainless steel wood screws, three cable clamps and one 1/2" x 1/2" x 1/2" plastic tee

DRINK RAILS

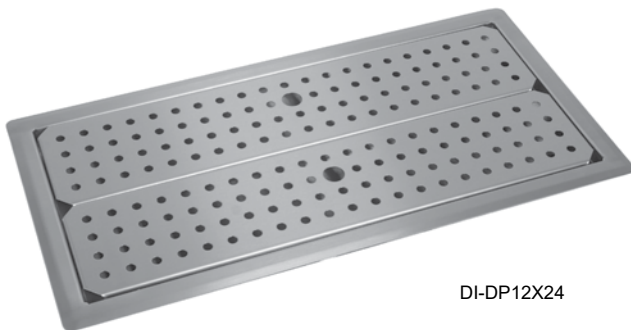
MODEL	LIST	LENGTH	DRAIN	WEIGHT
DR-12L	\$527	12"	Left	7#
DR-12R	\$527	12"	Right	7#
DR-18L	\$560	18"	Left	8#
DR-18R	\$560	18"	Right	8#
DR-24L	\$590	24"	Left	9#
DR-24R	\$590	24"	Right	9#
DR-30L	\$628	30"	Left	11#
DR-30R	\$628	30"	Right	11#
DR-36L	\$657	36"	Left	13#
DR-36R	\$657	36"	Right	13#
DR-42L	\$693	42"	Left	15#
DR-42R	\$693	42"	Right	15#
DR-48L	\$725	48"	Left	18#
DR-48R	\$725	48"	Right	18#

INSIDE AND OUTSIDE CORNER FILLERS

MODEL	DESCRIPTION	LIST	WEIGHT
DR-IC45	45° inside corner filler	\$316	8#
DR-IC90	90° inside corner filler	\$328	10#
DR-OC45	45° outside corner filler	\$316	8#
DR-OC90	90° outside corner filler	\$328	10#

*NOTE: Drink Rails are manufactured to order and are not returnable

Drop-In Drain Pans*



DI-DP12X24

Drain pan drops into a cut-out in your bartop to provide a stainless steel draining work surface.

DROP-IN DRAIN PANS

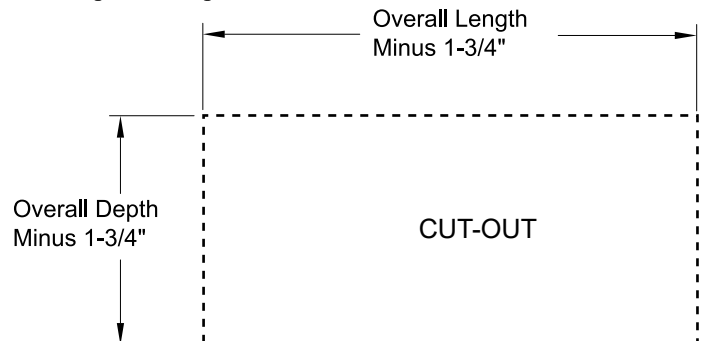
MODEL	OVERALL DIMENSIONS	LIST	WEIGHT
DI-DP12X24	12" x 24"	\$669	14#
DI-DP12X30	12" x 30"	\$719	16#
DI-DP12X36	12" x 36"	\$771	18#
DI-DP12X42	12" x 42"	\$841	20#
DI-DP12X48	12" x 48"	\$920	22#
DI-DP18X24	18" x 24"	\$824	18#
DI-DP18X30	18" x 30"	\$889	21#
DI-DP18X36	18" x 36"	\$999	24#
DI-DP18X42	18" x 42"	\$1,118	27#
DI-DP18X48	18" x 48"	\$1,236	30#

*NOTE: Drop-In Drain Pans are manufactured to order and are not returnable

PRODUCT INFORMATION

(see DI-DP Spec Sheet for complete details)

STANDARD FEATURES: All stainless steel construction • 18 gauge stainless steel pan with removable perforated inserts • Available in standard widths of 12" or 18" and lengths from 24" to 48". Custom sizes also available • Drain consists of 1/2" welded tailpiece that exits from the bottom of the unit • Drain pan flange includes self-rimming edge for tight fit to work surface • Installation kit includes: 10' of clear vinyl drain tube, one 4" Ty-wrap, three #10 x 1/2" stainless steel wood screws, three #10 x 1/2" black sheet metal screws, three cable clamps, two 1/2" x 1/2" plastic elbows • Cut-out dimensions are 1-3/4" smaller than the outer flange dimensions • Install by making cut-out in work surface, apply silicone sealant to edge of unit, set in place and plumb drain line



EXAMPLE: A DI-DP12X24 which measures 12" x 24" would require a cut-out size of 10-1/4" x 22-1/4"

Liquor Steps provide tiered liquor bottle storage at a height convenient for bartender use. They maintain the same easy-to-clean, open step and rail design as a speed rail. Each step and rail has PVC sound deadening covers and each rail includes a clear lift-off liquor-identification cover. The 24" deep models provide four levels of storage front to back and the 29" deep models provide five levels.

Liquor steps cannot have a speed rail mounted to them. Since speed rails are so common on underbar, liquor steps have been designed to align with underbar that has a speed rail. The four different liquor steps styles are based on the four different equipment-mounting situations.

PRODUCT INFORMATION

(see LD Spec Sheet for complete details)

STANDARD FEATURES

- Easily-usable height for storage
- All stainless steel construction and stainless steel bullet feet
- Includes radius interior corners for easy cleaning
- Four (4) levels of liquor bottle storage for 24" deep models and five (5) levels for 29" deep models
- Bottle retaining rails with clear lift-off liquor-identification cover
- Open step-and-rail design for easy cleaning and better view of bottles
- Locking covers are available for each individual row - see Locking Speed Rail Covers on page 22
- Matches speed rail design for continuity
- Specially designed side profiles to align with four different equipment-mounting situations
- Rear step on each model is extra wide for specialty liquor bottles



LDA-18S



LDB-18

24" DEEP LIQUOR STEPS

(Aligns with 19" deep underbar that has a single speed rail)

MODEL	LIST	LENGTH	WEIGHT
LDA-12S	\$1,841	12"	50#
LDA-18S	\$2,014	18"	60#
LDA-24S	\$2,193	24"	70#
LDA-30S*	\$2,370	30"	80#
LDA-36S*	\$2,546	36"	90#
LDA-42S*	\$2,724	42"	100#

24" DEEP LIQUOR STEPS

(Aligns with 24" deep underbar that has no speed rail)

MODEL	LIST	LENGTH	WEIGHT
LDB-12	\$1,841	12"	50#
LDB-18	\$2,014	18"	60#
LDB-24	\$2,193	24"	70#
LDB-30*	\$2,370	30"	80#
LDB-36*	\$2,546	36"	90#
LDB-42*	\$2,724	42"	100#



LDA-18D



LDB-18S

29" DEEP LIQUOR STEPS

(Aligns with 19" deep underbar that has a double speed rail)

MODEL	LIST	LENGTH	WEIGHT
LDA-12D	\$2,064	12"	55#
LDA-18D	\$2,267	18"	65#
LDA-24D	\$2,470	24"	75#
LDA-30D*	\$2,683	30"	85#
LDA-36D*	\$2,888	36"	95#
LDA-42D*	\$3,093	42"	105#

29" DEEP LIQUOR STEPS

(Aligns with 24" deep underbar that has a single speed rail)

MODEL	LIST	LENGTH	WEIGHT
LDB-12S	\$2,064	12"	55#
LDB-18S	\$2,267	18"	65#
LDB-24S	\$2,470	24"	75#
LDB-30S*	\$2,683	30"	85#
LDB-36S*	\$2,888	36"	95#
LDB-42S*	\$3,093	42"	105#

*NOTE: These liquor steps are manufactured to order and are not returnable



IOS-18

The Glastender Island Oasis® Stand is designed for use with the model number SB-3X Island Oasis® machine. The 18" wide by 29" deep stand has a lowered draining work surface and extended front to allow the machine to be stored at a convenient and usable height. In most bar applications, the clear plastic ice container will be visible above the bar top.

PRODUCT INFORMATION

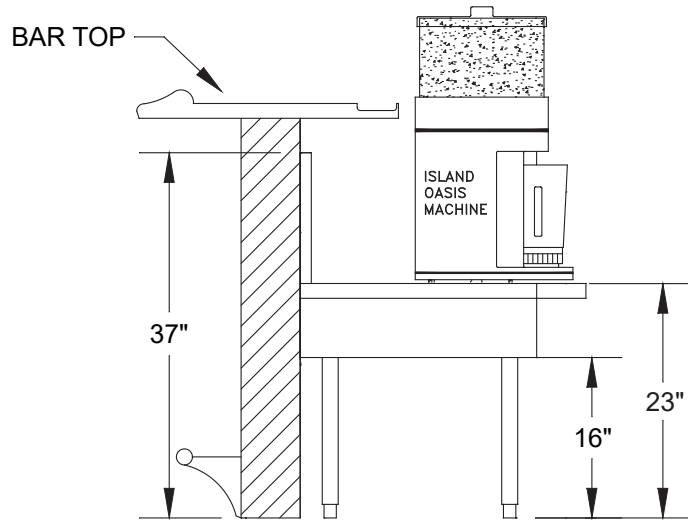
(see IOS Spec Sheet for complete details)

STANDARD FEATURES

- All stainless steel construction
- Adjustable stainless steel bullet feet
- Radius work surface corners for easy cleaning
- One-piece seamless top and backsplash
- 1" deep drain pan work surface to capture excess moisture
- Chamfered front to eliminate "knee knockers"

ISLAND OASIS® STAND

MODEL	LIST	LENGTH	WEIGHT
IOS-18	\$1,661	18"	50#



Installation Side Elevation

Bar Fabrication - Main Line

Call for pricing

Modular Beverage Stations

PRODUCT INFORMATION

(see CAB-MBS Spec Sheet for complete details)

Modular beverage stations are configured and manufactured to your specific requirements. A complete lineup is designed by selecting from the top options and then specifying the module types and sizes to mount below the top. Stations ship complete in lengths up to 144".

Top options include: Depth - 24", 30", or 36" • Front overhang - 1/4", 1", or 2" • Nosing profile - flat, marine, or rounded • Backsplash - none, 5", or 10" • Endsplash - none, left, right, or both • Integrally welded drip trough • Electrical outlets in the backsplash

Module options include: Adjustable shelf • Drawer • Drop-in • Empty space • End wall • Fixed shelf • Glass rack • Open storage • Roll-out shelf • Sink • Urn stand



108" L by 30" D CAB-MBS
Modules left to right: drop-in with solid apron, roll-out shelf, urn stand, and adjustable shelf with solid door



DWB-12 shown in an installation setting with optional trash receptacle



DWB-15L shown in an installation setting with optional trash receptacle



DWB-14-C† shown with optional trash receptacle

PRODUCT INFORMATION

(see DW Spec Sheet for complete details)

There are four different Dry Waste Chute models to meet various installation requirements.

STANDARD FEATURES

- Lift-up top for emptying the trash receptacle
- Completely removable top for thorough cleaning
- The DWB-12 mounts between two adjacent pieces of Glastender main line underbar and has no legs
- The DWB-15L and DWB-15R include a single leg set and mount to an adjacent piece of Glastender main line underbar
- The DWB-14-C† is freestanding
- All models are designed to house a Rubbermaid Slim Jim® trash receptacle

† Patent Pending

24" DEEP DRY WASTE CHUTES

MODEL	LIST	LEG POSITION	LENGTH	WEIGHT
DWB-12	\$960	N/A	12"	30#
DWB-14-C†	\$2,439	N/A	14"	64#
DWB-15L	\$1,516	Left	15"	45#
DWB-15R	\$1,516	Right	15"	45#

CONFIGURABLE OPTIONS

MODEL	DESCRIPTION	LIST	WGT
LSDW	Left side splash (DWB-14-C†)	\$178	1#
RSDW	Right side splash (DWB-14-C†)	\$178	1#

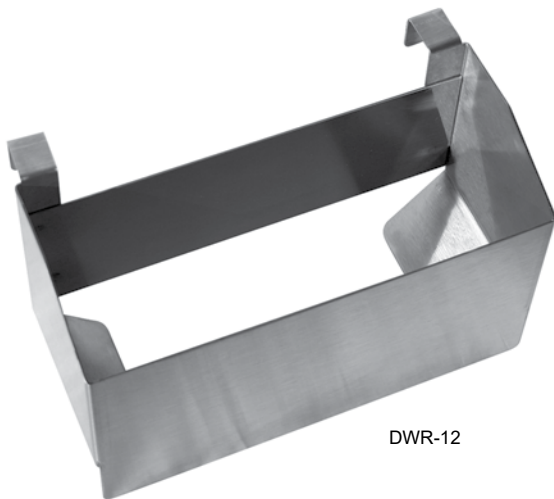
ACCESSORY

MODEL	DESCRIPTION	LIST	WGT
03000497	Rubbermaid Slim Jim®	\$282	10#

Bar Fabrication - Main Line

Dry Waste Rail

Pricing effective January 1, 2025



DWR-12

PRODUCT INFORMATION

(see DWR Spec Sheet for complete details)


- A Dry Waste Rail is 12" wide, 5" deep, and looks like a speed rail, but it is actually a removable stainless steel chute
- A 16" high or shorter trash receptacle is placed under the dry waste rail and the chute directs the refuse into the receptacle
- Dry waste rails cannot be used on Cabinets, Glassracks, or Ice Cream Freezers

DRY WASTE RAIL

MODEL	LIST	LENGTH	WEIGHT
DWR-12	\$261	12"	6#

ACCESSORIES

MODEL	DESCRIPTION	LIST	WGT
DWC	Trash receptacle, stainless steel	\$583	5#
03005491	Trash receptacle, 28½ qt, gray plastic	\$83	5#

All faucets are certified low lead compliant 



FRA-24

PRODUCT INFORMATION

(see FR Spec Sheet for complete details)

STANDARD FEATURES: All stainless steel construction • Foamed-in-place insulation • 6" diameter seamless welded draining dipper well and faucet • Six-foot grounded cord and plug provided • 24" wide models hold one 3-gallon container • 36" wide models hold two 3-gallon containers • One-piece seamless top and backsplash

ELECTRICAL: 120V, 1 phase, 60 Hz, 4.75 full load amps • Dedicated 15 amp circuit is recommended • Includes 6-foot grounded cord and plug

REFRIGERATION: Operating range -5°F to 10°F • 1/4 HP, R290 refrigerant

CAPACITY: FRA-24 and FRB-24 models hold one 3-gallon container • FRA-36 and FRB-36 models hold two 3-gallon containers

19" DEEP ICE CREAM FREEZERS

MODEL	LIST	LENGTH	WEIGHT
FRA-24	\$6,218	24"	140#
FRA-36	\$7,120	36"	175#

24" DEEP ICE CREAM FREEZERS

MODEL	LIST	LENGTH	WEIGHT
FRB-24	\$6,408	24"	150#
FRB-36	\$7,309	36"	185#

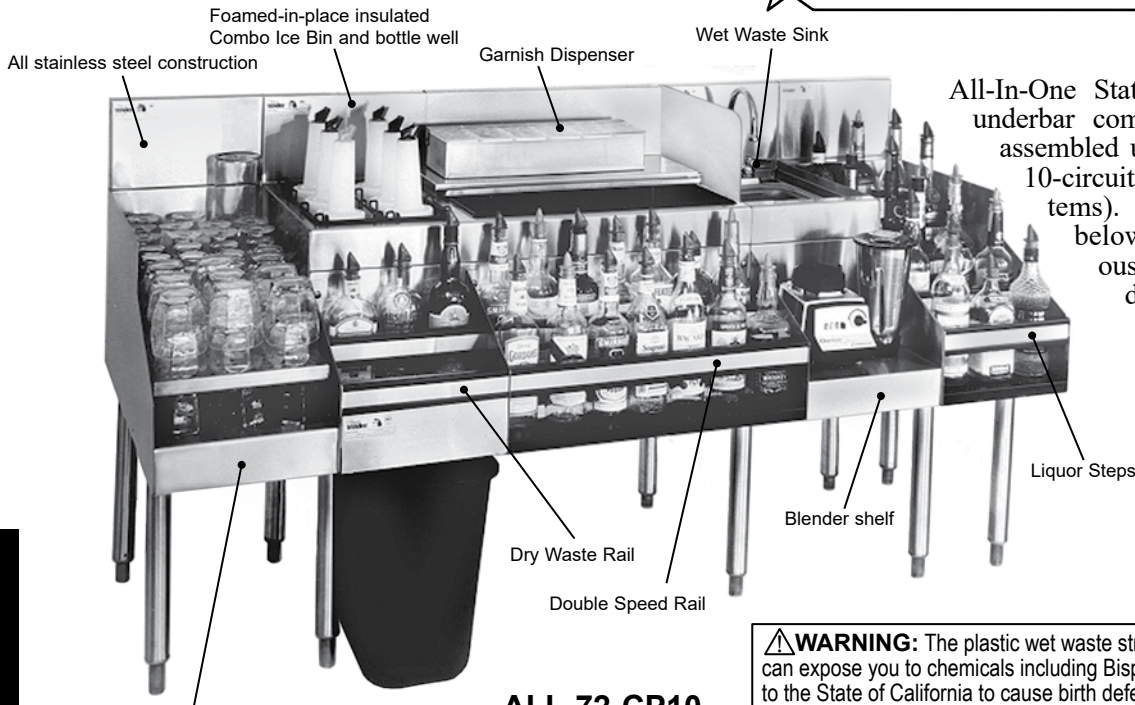
*NOTE: Ice Cream Freezers are manufactured to order and are not returnable

ACCESSORIES

MODEL	DESCRIPTION	LIST	WGT
SSR-24	24" single speed rail	\$300	7#
SSR-36	36" single speed rail	\$348	12#
DSR-24	24" double speed rail	\$584	14#
DSR-36	36" double speed rail	\$683	24#
CE-220/50S	Convert self-contained unit to 220V/50Hz electrical	\$290	N/A

Bar Fabrication - Main Line

All faucets are certified low lead compliant



All-In-One Stations combine different underbar components into one pre-assembled unit (also available with 10-circuit cold plate for soda systems). The ALL-72 pictured below illustrates the various components. Read the descriptions below each model for a complete list of standard components. (see ALL Spec Sheet for complete details)

ALL-72-CP10

WARNING: The plastic wet waste strainer included with this product can expose you to chemicals including Bisphenol A (BPA), which is known to the State of California to cause birth defects or other reproductive harm. For more information, go to www.P65Warnings.ca.gov. **Warning applies to State of California only.** Part #03000483

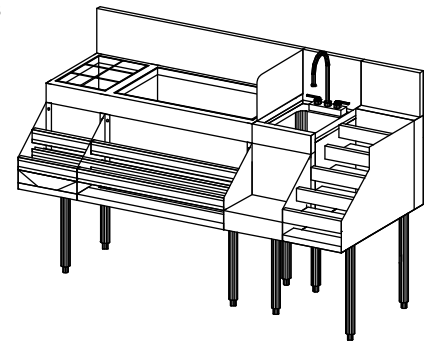
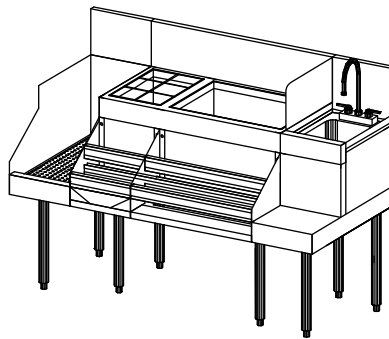
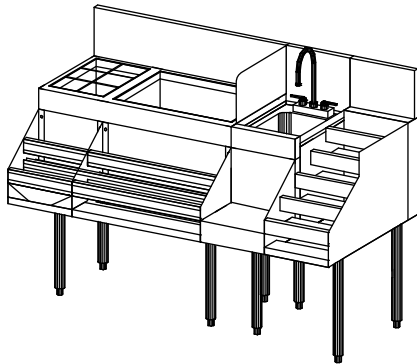
Bar Fabrication - Main Line

ALL-IN-ONE STATION ACCESSORY

MODEL	DESCRIPTION	LIST	WEIGHT
TC-BS	Tubing chase centered in backsplash of ice bin	\$76	N/A



TC-BS



ALL-60A

MODEL	LIST	WT	COLD PLATE
ALL-60A	\$9,198	200#	No
ALL-60A-CP10	\$11,346	270#	YES

ALL-60B

MODEL	LIST	WT	COLD PLATE
ALL-60B	\$8,641	200#	No
ALL-60B-CP10	\$10,789	270#	YES

ALL-66A

MODEL	LIST	WT	COLD PLATE
ALL-66A	\$9,508	215#	No
ALL-66A-CP10	\$11,736	285#	YES

60" ALL-IN-ONE STATION

- 36" Combo Ice Bin
- 12" Single Wet Waste Sink w/Left Splash
- 12" Blender Shelf with Towel Ring
- 12" Liquor Steps
- 36" Double Speed Rail
- 12" Dry Waste Rail
- Garnish Dispenser

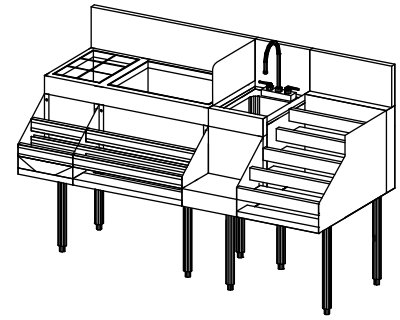
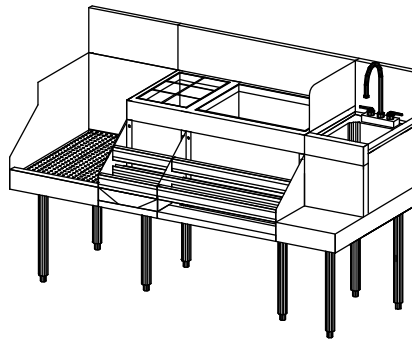
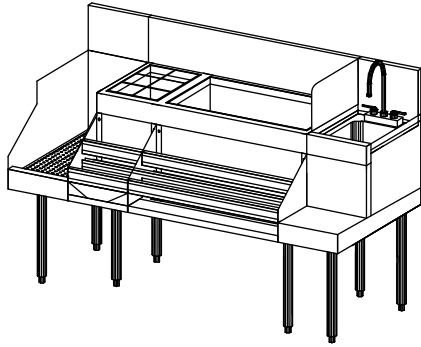
60" ALL-IN-ONE STATION

- 12" Recessed Drainboard
- 36" Combo Ice Bin
- 12" Single Wet Waste Sink w/Left Splash
- 12" Blender Shelf with Towel Ring
- 36" Double Speed Rail
- 12" Dry Waste Rail
- Garnish Dispenser

66" ALL-IN-ONE STATION

- 42" Combo Ice Bin
- 12" Single Wet Waste Sink w/Left Splash
- 12" Blender Shelf with Towel Ring
- 12" Liquor Steps
- 42" Double Speed Rail
- 12" Dry Waste Rail
- Garnish Dispenser

*NOTE: All-In-One Stations are manufactured to order and are not returnable



ALL-66B

MODEL	LIST	WT	COLD PLATE
ALL-66B	\$8,951	215#	No
ALL-66B-CP10	\$11,179	285#	Yes

ALL-66C

MODEL	LIST	WT	COLD PLATE
ALL-66C	\$8,839	215#	No
ALL-66C-CP10	\$10,989	285#	Yes

ALL-66D

MODEL	LIST	WT	COLD PLATE
ALL-66D	\$9,402	215#	No
ALL-66D-CP10	\$11,550	285#	Yes

66" ALL-IN-ONE STATION

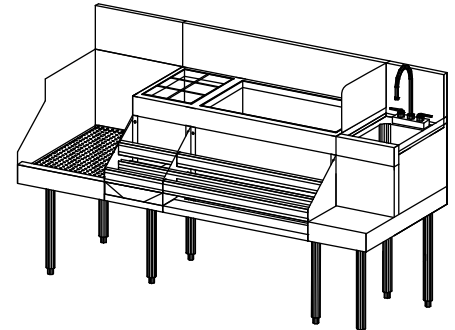
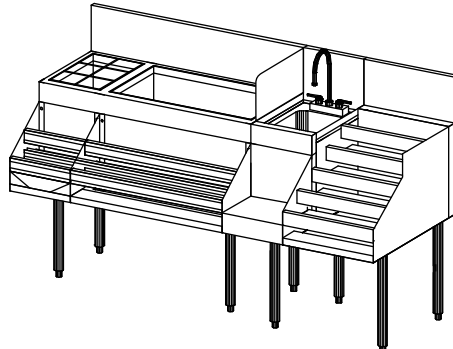
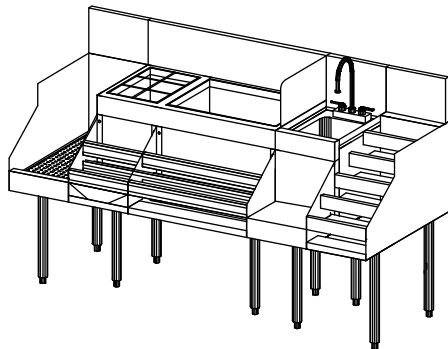
- 12" Recessed Drainboard
- 42" Combo Ice Bin
- 12" Single Wet Waste Sink w/Left Splash
- 12" Blender Shelf with Towel Ring
- 42" Double Speed Rail
- 12" Dry Waste Rail
- Garnish Dispenser

66" ALL-IN-ONE STATION

- 18" Recessed Drainboard
- 36" Combo Ice Bin
- 12" Single Wet Waste Sink w/Left Splash
- 12" Blender Shelf with Towel Ring
- 36" Double Speed Rail
- 12" Dry Waste Rail
- Garnish Dispenser

66" ALL-IN-ONE STATION

- 36" Combo Ice Bin
- 12" Single Wet Waste Sink w/Left Splash
- 12" Blender Shelf with Towel Ring
- 18" Liquor Steps
- 36" Double Speed Rail
- 12" Dry Waste Rail
- Garnish Dispenser



ALL-72

MODEL	LIST	WT	COLD PLATE
ALL-72	\$10,706	240#	No
ALL-72-CP10	\$12,853	310#	Yes

ALL-72A

MODEL	LIST	WT	COLD PLATE
ALL-72A	\$9,712	240#	No
ALL-72A-CP10	\$11,940	310#	Yes

ALL-72B

MODEL	LIST	WT	COLD PLATE
ALL-72B	\$9,149	240#	No
ALL-72B-CP10	\$11,379	310#	Yes

72" ALL-IN-ONE STATION

- 12" Recessed Drainboard
- 36" Combo Ice Bin
- 12" Single Wet Waste Sink w/Left Splash
- 12" Blender Shelf with Towel Ring
- 12" Liquor Steps
- 36" Double Speed Rail
- 12" Dry Waste Rail
- Garnish Dispenser

72" ALL-IN-ONE STATION

- 42" Combo Ice Bin
- 12" Single Wet Waste Sink w/Left Splash
- 12" Blender Shelf with Towel Ring
- 18" Liquor Steps
- 42" Double Speed Rail
- 12" Dry Waste Rail
- Garnish Dispenser

72" ALL-IN-ONE STATION

- 18" Recessed Drainboard
- 42" Combo Ice Bin
- 12" Single Wet Waste Sink w/Left Splash
- 12" Blender Shelf with Towel Ring
- 42" Double Speed Rail
- 12" Dry Waste Rail
- Garnish Dispenser

*NOTE: All-In-One Stations are manufactured to order and are not returnable

⚠WARNING: The plastic wet waste strainer included with this product can expose you to chemicals including Bisphenol A (BPA), which is known to the State of California to cause birth defects or other reproductive harm. For more information, go to www.P65Warnings.ca.gov. **Warning applies to State of California only.** Part #03000483

Bar Fabrication - Main Line



PRODUCT INFORMATION

(see TC Spec Sheet for complete details)

STANDARD FEATURES

- All stainless steel construction
- Tubing chase is 6" by 6" by 4" high
- Stainless steel drain pan work surface and perforated insert
- Mounts between adjacent underbar equipment (there is no provision for leg mounting)
- Includes front rail and front skirt to match adjacent equipment
- Can be set in place after beverage lines are installed

TUBING CHASES

MODEL	LIST	LENGTH	DEPTH	WEIGHT
TCA	\$733	6"	19"	17#
TCB	\$833	6"	24"	19#

TCA shown in an installation setting

*NOTE: Tubing Chases are manufactured to order and are not returnable

Beer Drainers*

Beer Drainers have a 26" high lowered work surface and are designed specifically for use with undercounter-mounting beverage dispensers. The work surface includes a drain pan with perforated insert to serve as the drip pan for the dispenser and a special notched rear deck for beverage line access. Since the rear work surface is notched, the beverage lines can be installed prior to the beer drainer.



BDB-18 shown in an installation setting with undercounter-mounting beer tower above

PRODUCT INFORMATION

(see BD Spec Sheet for complete details)

STANDARD FEATURES

- All stainless steel construction
- Designed with lowered work surface to work in conjunction with undercounter-mounting beverage dispensers
- Adjustable stainless steel bullet feet
- Rear deck with tubing chase notch allows beer lines to be installed prior to beer drainer
- Front drain pan with lift-out stainless steel perforated insert

19" DEEP BEER DRAINERS

MODEL	LIST	LENGTH	WEIGHT
BDA-18	\$1,301	18"	45#
BDA-24	\$1,425	24"	50#
BDA-30	\$1,546	30"	55#
BDA-36	\$1,669	36"	60#

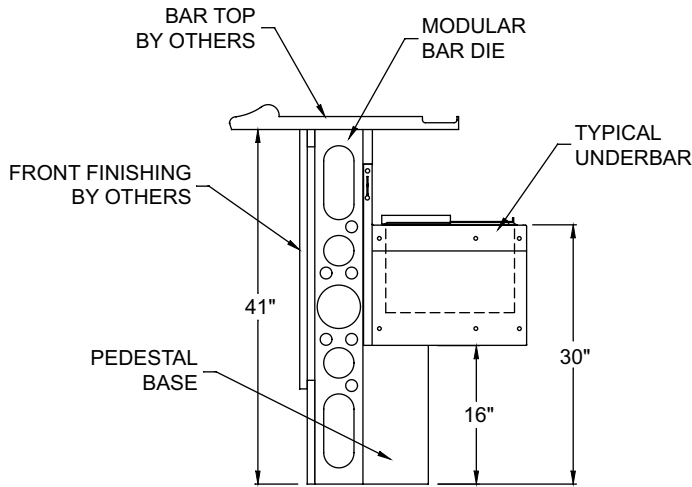
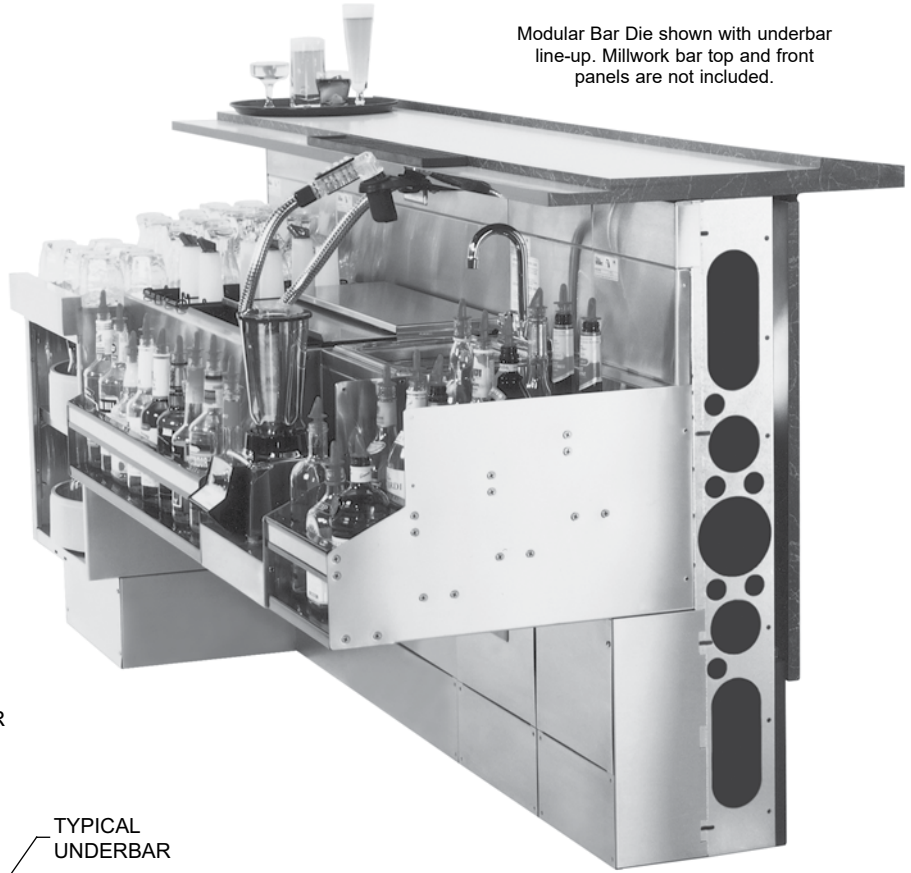
24" DEEP BEER DRAINERS

MODEL	LIST	LENGTH	WEIGHT
BDB-18	\$1,424	18"	55#
BDB-24	\$1,571	24"	60#
BDB-30	\$1,712	30"	65#
BDB-36	\$1,854	36"	70#

*NOTE: Beer Drainers are manufactured to order and are not returnable

With the Glastender Modular Bar Die, underbar equipment is mounted to and supported on the bar die. All the underbar equipment is pre-assembled and mounted to the bar die at the factory, then broken down into shippable sections. Installation of the bar die is very simple - easier than a conventional style underbar with a millwork bar die. The result is a beautiful, innovative underbar line up that is sealed to the floor, stainless from floor to bar top, eliminates all underbar leg sets, and hides the soda, beer, electrical, and plumbing lines.

Modular Bar Die shown with underbar line-up. Millwork bar top and front panels are not included.



Typical Side Elevation View

The total Number of feet required is calculated by determining the overall outside dimension of the bar die wall. Please round up to the nearest whole foot.

MODULAR BAR DIE

MODEL	DESCRIPTION	LIST	WGT
MD	Price per foot	\$482	15#
MDT	48" wide vinyl template - price per foot	\$35	

PRODUCT INFORMATION

(see MD Spec Sheet for complete details)

FEATURES:

- 16 gauge galvanized steel structure with stainless steel bartender side finishing
- 20A GFI outlets built in to bar die wall based on customer preference (wiring not provided)
- LED lights built in to bar die wall above underbar equipment (wiring not provided)
- Built in chaseways for beer, soda, plumbing, and electrical lines.

BENEFITS:

- Stainless steel from floor to bar top on bartender side
- Floor can be sealed to the bar die to prevent moisture from seeping from the bartender side to the customer side of the bar
- Galvanized steel structure will not rot
- Built in chaseways hide beer, soda, plumbing, and electrical lines for a cleaner, more attractive bar
- Arrives pre-assembled from factory in sections up to 6 feet long for easy installation - lowers installation costs. Just bolt the sections together, level, and attach the floor.
- Pre-engineered to exact dimensions to ensure a precise fit
- Can be used in conjunction with removable front millwork finishing panels to provide easy access to soda, beer, plumbing, and electrical lines for future modification, maintenance, or repair
- Millwork bar top and front panels can be pre-fabricated and easily attached
- Eliminates all underbar legs for easy cleaning.

Bar Fabrication - Main Line

19" DEEP ICE BINS*

MODEL	LIST	LTH	WGT	ICE CAPACITY
C-IBA-6†	\$1,247	6"	40#	17#
C-IBA-12	\$1,684	12"	50#	33#
C-IBA-18	\$1,861	18"	60#	50#
C-IBA-24	\$2,027	24"	70#	67#
C-IBA-30	\$2,210	30"	80#	84#
C-IBA-36	\$2,383	36"	90#	100#
C-IBA-42	\$2,563	42"	100#	117#
C-IBA-48	\$2,737	48"	110#	134#

WITH 10-CIRCUIT COLD PLATE

C-IBA-24-CP10	\$3,814	24"	130#	67#
C-IBA-30-CP10	\$4,055	30"	145#	84#
C-IBA-36-CP10	\$4,362	36"	160#	100#
C-IBA-42-CP10	\$4,906	42"	170#	117#
C-IBA-48-CP10	\$5,093	48"	180#	134#

† Note: 6" unit cannot be freestanding

24" DEEP ICE BINS*

MODEL	LIST	LTH	WGT	ICE CAPACITY
C-IBB-6†	\$1,332	6"	45#	21#
C-IBB-12	\$1,809	12"	55#	42#
C-IBB-18	\$1,999	18"	70#	64#
C-IBB-24	\$2,183	24"	80#	85#
C-IBB-30	\$2,382	30"	95#	106#
C-IBB-36	\$2,566	36"	110#	127#
C-IBB-42	\$2,757	42"	120#	149#
C-IBB-48	\$2,942	48"	130#	170#

WITH 10-CIRCUIT COLD PLATE*

C-IBB-24-CP10	\$3,943	24"	145#	85#
C-IBB-30-CP10	\$4,680	30"	160#	106#
C-IBB-36-CP10	\$4,885	36"	170#	127#
C-IBB-42-CP10	\$5,092	42"	185#	149#
C-IBB-48-CP10	\$5,245	48"	195#	170#

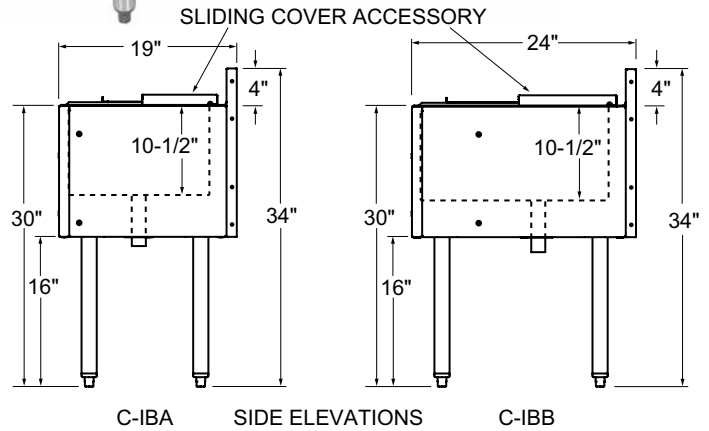
† Note: 6" unit cannot be freestanding

What is a cold plate?

Choice ice bins 24" wide and larger are available with a 10-circuit cold plate built into the bottom liner. A cold plate is an aluminum block with ten stainless steel lines or circuits molded within. Soda lines are attached by the soda vendor to the input and output lines of the cold plate and the soda water and syrup are chilled as they pass through the lines. A cold plate is recommended for ice bins used to make cocktails.



C-IBA-36-CP10



PRODUCT INFORMATION

(see C-IB and C-IB-ED Spec Sheets for complete details)

STANDARD FEATURES

- All stainless steel construction
- PVC plastic breaker strip around ice bin liner acts as a thermal barrier to prevent heat transfer
- 24" deep version provides larger ice bin not just a deck extension on the back of the 19" deep model
- Extra deep ice bins have 14-1/2" deep liner for extra ice capacity
- Adjustable stainless steel bullet feet
- Backsplash is an open channel to provide access for beverage lines

NOTE: Ice bins intended to store potable ice must be ordered with an ice bin cover to maintain the sanitation listing

*NOTE: These ice bin models are manufactured to order and are not returnable



Bottle rack accessory (one BR4 and one BR3 shown)

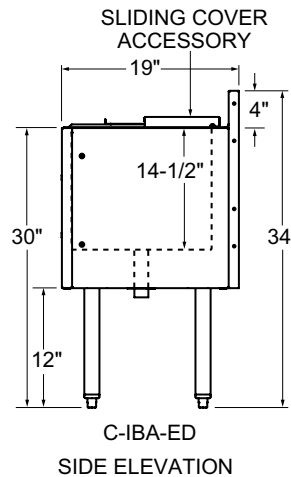
Bottle well accessory (two BW3 shown)

19" EXTRA DEEP ICE BINS*

MODEL	LIST	LTH	WGT	ICE CAPACITY
C-IBA-18-ED	\$2,074	18"	75#	69#
C-IBA-24-ED	\$2,279	24"	80#	92#
C-IBA-30-ED	\$2,484	30"	90#	116#
C-IBA-36-ED	\$2,689	36"	100#	139#
C-IBA-42-ED	\$2,893	42"	110#	162#
C-IBA-48-ED	\$3,102	48"	125#	185#

EXTRA DEEP WITH 10-CIRCUIT COLD PLATE*

C-IBA-24-CP10-ED	\$4,227	24"	140#	92#
C-IBA-30-CP10-ED	\$4,507	30"	155#	116#
C-IBA-36-CP10-ED	\$4,914	36"	170#	139#
C-IBA-42-CP10-ED	\$5,460	42"	180#	162#
C-IBA-48-CP10-ED	\$5,688	48"	190#	185#



NOTE: Ice bins intended to store potable ice must be ordered with an ice bin cover to maintain the sanitation listing

*NOTE: These ice bin models are manufactured to order and are not returnable

ICE BIN ACCESSORIES

SINGLE SPEED RAILS

MODEL	DESCRIPTION	LIST	WGT
C-SR-12	12" single speed rail	\$195	5#
C-SR-18	18" single speed rail	\$216	6#
C-SR-24	24" single speed rail	\$237	7#
C-SR-30	30" single speed rail	\$258	9#
C-SR-36	36" single speed rail	\$279	10#
C-SR-42	42" single speed rail	\$300	12#
C-SR-48	48" single speed rail	\$321	13#

DOUBLE SPEED RAILS

MODEL	DESCRIPTION	LIST	WGT
C-DR-12	12" double speed rail	\$392	9#
C-DR-18	18" double speed rail	\$430	11#
C-DR-24	24" double speed rail	\$468	14#
C-DR-30	30" double speed rail	\$506	16#
C-DR-36	36" double speed rail	\$544	18#
C-DR-42	42" double speed rail	\$582	21#
C-DR-48	48" double speed rail	\$620	24#

GARNISH DISPENSER Stainless steel garnish dispenser with hinged plexi-glass lid and six 16 oz. plastic cups.

CCD	Garnish dispenser	\$229	5#
-----	-------------------	-------	----

ACCESSORIES FOR 19" DEEP (A) ICE BINS

ICE BIN COVERS Two-piece sliding stainless steel. Ice bins intended to store potable ice must be ordered with an ice bin cover to maintain the sanitation listing. If bottle wells are ordered, deduct 6" from cover length for one bottle well and 12" for two bottle wells.

MODEL	DESCRIPTION	LIST	WGT	MODEL	DESCRIPTION	LIST	WGT
IBCA-12	12"w ice bin cover - 19"d (A) ice bin	\$125	4#	IBCB-12	12"w ice bin cover - 24"d (B) ice bin	\$138	5#
IBCA-18	18"w ice bin cover - 19"d (A) ice bin	\$152	5#	IBCB-18	18"w ice bin cover - 24"d (B) ice bin	\$172	6#
IBCA-24	24"w ice bin cover - 19"d (A) ice bin	\$180	7#	IBCB-24	24"w ice bin cover - 24"d (B) ice bin	\$205	8#
IBCA-30	30"w ice bin cover - 19"d (A) ice bin	\$208	8#	IBCB-30	30"w ice bin cover - 24"d (B) ice bin	\$239	10#
IBCA-36	36"w ice bin cover - 19"d (A) ice bin	\$247	9#	IBCB-36	36"w ice bin cover - 24"d (B) ice bin	\$287	11#
IBCA-42	42"w ice bin cover - 19"d (A) ice bin	\$277	10#	IBCB-42	42"w ice bin cover - 24"d (B) ice bin	\$323	13#
IBCA-48	48"w ice bin cover - 19"d (A) ice bin	\$306	12#	IBCB-48	48"w ice bin cover - 24"d (B) ice bin	\$359	15#

BOTTLE WELLS For use with potable ice. May be positioned left or right inside cocktail ice bin. If two are ordered, they are positioned one at each side

BW3	3 bottle well for 19"d (A) ice bin	\$76	4#	BW4	4 bottle rack for 24"d (B) ice bin	\$140	5#
-----	------------------------------------	------	----	-----	------------------------------------	-------	----

BOTTLE RACKS For use with non-potable ice in bottle storage ice bin. Only fit in 12" long and larger ice bins. One rack may be ordered for each 6" of ice bin length. Not for use with sliding cover.

BR3	Bottle rack for 19"d (A) ice bin	\$73	3#	BR4	4 bottle rack for 24"d (B) ice bin	\$89	4#
-----	----------------------------------	------	----	-----	------------------------------------	------	----

ICE BIN DIVIDERS Stainless steel panel placed inside the ice bin front-to-back to separate different types of ice.

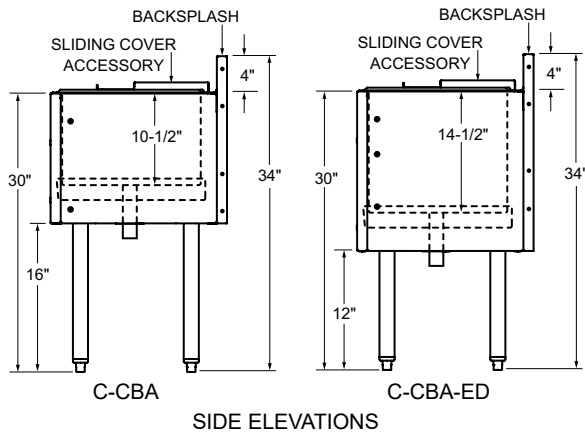
IBD-H-A	Ice bin divider for 19"d (A) ice bin	\$112	4#	IBD-H-B	Ice bin divider for 24"d (B) ice bin	\$143	4#
IBD-H-A-ED	Ice Bin divider for 19"d (A) extra deep ice bin	\$131	4#				

Bar Fabrication - Choice



C-CBA-36L

NOTE: Ice bins intended to store potable ice must be ordered with an ice bin cover to maintain the sanitation listing



PRODUCT INFORMATION

(see C-CB and C-CB-ED Spec Sheets for complete details)

STANDARD FEATURES

- All stainless steel construction
- PVC plastic breaker strip around ice bin liner acts as a thermal barrier to prevent heat transfer
- Extra deep ice bins have 14-1/2" deep liner for extra ice capacity
- Adjustable stainless steel bullet feet
- Backsplash is an open channel to provide access for beverage lines

What is a cold plate?

Choice ice bins 24" wide and larger are available with a 10-circuit cold plate built into the bottom liner. A cold plate is an aluminum block with ten stainless steel lines or circuits molded within. Soda lines are attached by the soda vendor to the input and output lines of the cold plate and the soda water and syrup are chilled as they pass through the lines. A cold plate is recommended for ice bins used to make cocktails.

19" DEEP COMBO ICE BINS*

MODEL	LIST	LTH	WGT	ICE CAPACITY	BOTTLES STORED
C-CBA-36L or R	\$3,050	36"	100#	67#	6
C-CBA-42L or R	\$3,238	42"	110#	84#	6
C-CBA-48L or R	\$3,425	48"	120#	100#	6
C-CBA-48	\$3,914	48"	120#	67#	12

WITH 10-CIRCUIT COLD PLATE

C-CBA-30L3 or R3-CP10*	\$4,920	30"	160#	67#	3
C-CBA-36L or R-CP10	\$5,081	36"	170#	67#	6
C-CBA-42L or R-CP10	\$5,337	42"	180#	84#	6
C-CBA-48L or R-CP10	\$5,669	48"	200#	100#	6
C-CBA-48-CP10	\$6,027	48"	200#	67#	12

EXTRA DEEP COMBO ICE BINS WITH 10-CIRCUIT COLD PLATE*

C-CBA-30L3 or R3-CP10-ED	\$5,261	30"	170#	92#	3
C-CBA-36L or R-CP10-ED	\$5,423	36"	180#	92#	6
C-CBA-42L or R-CP10-ED	\$5,715	42"	190#	116#	6
C-CBA-48L or R-CP10-ED	\$6,082	48"	210#	139#	6
C-CBA-48-CP10-ED	\$6,453	48"	210#	92#	12

*NOTE: These ice bin models are manufactured to order and are not returnable

COMBO ICE BIN ACCESSORIES

SINGLE SPEED RAILS

MODEL	DESCRIPTION	LIST	WGT
C-SR-30	30" single speed rail	\$258	9#
C-SR-36	36" single speed rail	\$279	10#
C-SR-42	42" single speed rail	\$300	12#
C-SR-48	48" single speed rail	\$321	13#

DOUBLE SPEED RAILS

C-DR-30	30" double speed rail	\$506	16#
C-DR-36	36" double speed rail	\$544	18#
C-DR-42	42" double speed rail	\$582	21#
C-DR-48	48" double speed rail	\$620	24#

GARNISH DISPENSER Stainless steel garnish dispenser with hinged plexi-glass lid and six 16 oz. plastic cups.

CCD	Garnish dispenser	\$229	5#
-----	-------------------	-------	----

ICE BIN COVERS Two-piece sliding stainless steel. Ice bins intended to store potable ice must be ordered with an ice bin cover to maintain the sanitation listing.

IBCA-24	24"w ice bin cover for C-CBA-30, C-CBA-36, or C-CBA-48	\$180	7#
IBCA-30	30"w ice bin cover for C-CBA-42	\$208	8#
IBCA-36	36"w ice bin cover for C-CBA-48L or R	\$247	9#

BOTTLE RACK Vinyl-coated wire racks placed inside the bottle well to assist with holding pour and store bottles. Each combo ice bin bottle well may hold two BR3 bottle racks. NOTE: BR3 does not fit in C-CBA-30.

BR3	Bottle rack for 19"d (A) ice bin	\$73	3#
-----	----------------------------------	------	----

ICE BIN DIVIDERS Stainless steel panel placed inside the ice bin front-to-back to separate different types of ice.

IBD-H-A	Ice bin divider for 19"d (A) ice bin	\$112	4#
IBD-H-A-ED	Ice bin divider for 19"d (A) extra deep ice bin	\$131	4#

Bar Fabrication - Choice



C-IB-38X24

A 24" wide by 38" deep pass-thru ice bin is used to provide the cocktail servers with access to the ice. Pass-thru ice bins have the same features as standard ice bins, except there is no backsplash and the optional sliding cover is double sided. The bartender side of the ice bin lines up with the underbar equipment the same as a standard ice bin. The 38" deep dimension also allows a pass-thru ice bin to line up with back-to-back mounted underbar equipment (see sample drawings).

PASS THRU ICE BIN

<u>MODEL</u>	<u>LIST</u>	<u>WGT</u>	<u>ICECAPACITY</u>
C-IB-38X24*	\$3,381	100#	175#

WITH 10-CIRCUIT COLD PLATE			
<u>MODEL</u>	<u>LIST</u>	<u>WGT</u>	<u>ICECAPACITY</u>
C-IB-38X24-CP10	\$5,345	190#	175#

*NOTE: This model is manufactured to order and is not returnable

NOTE: Ice bins intended to store potable ice must be ordered with an ice bin cover to maintain the sanitation listing

PRODUCT INFORMATION

(see CB-IB-38x24 Spec Sheet for complete details)

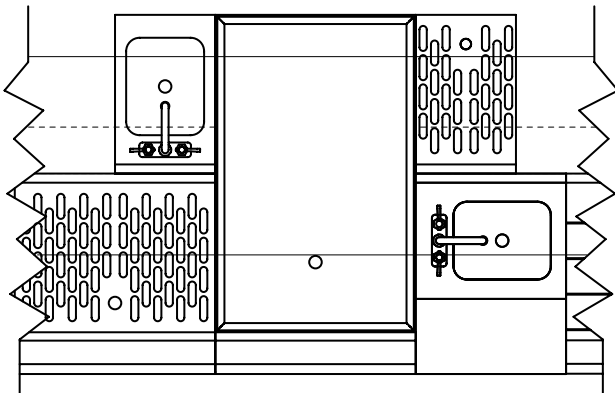
STANDARD FEATURES

- For pass thru design applications allowing both bartender and cocktail server access
- All stainless steel construction
- PVC plastic breaker strip around ice bin liner acts as a thermal barrier to prevent heat transfer
- Adjustable stainless steel bullet feet

PASS THRU ICE BIN ACCESSORIES

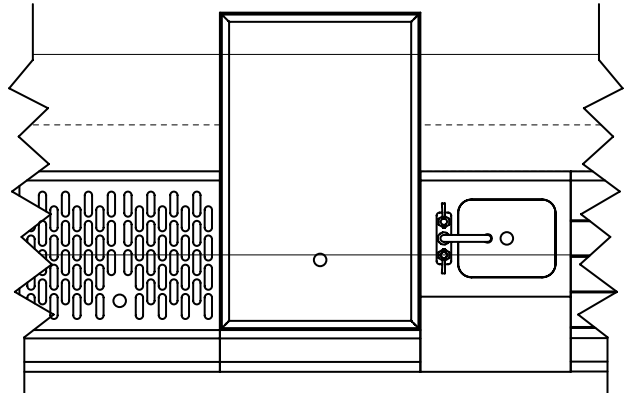
<u>MODEL</u>	<u>DESCRIPTION</u>	<u>LIST</u>	<u>WGT</u>
C-SR-24	24" single speed rail	\$237	7#
C-DR-24	24" double speed rail	\$468	14#
C-IBC-38X24	Three-piece sliding stainless steel cover	\$352	14#
C-BW6-38X24	Set of two BW3 bottle wells with four-piece stainless steel sliding cover for C-IB-38X24	\$524	20#
CCD	Garnish dispenser, stainless steel with hinged plexi-glass lid and six 16 oz. cups	\$229	5#
IBD-H-P	Ice bin divider for C-IB-38X24	\$187	4#
IBD-H-P-CP	Ice bin divider for C-IB-38X24-CP10	\$201	4#
IBD-H-P-LR	Ice bin divider, left to right, for C-IB-38X24	\$143	4#

Bar Fabrication - Choice



BARTENDER SIDE

Underbar Plan View with Pass-Thru Ice Bin and Back-to-Back Mounted Underbar



BARTENDER SIDE

Underbar Plan View with Pass-Thru Ice Bin

Patented. For more information visit:
<https://www.glastender.com/patents>



C-SHA-6

19" DEEP SODA GUN HOLDERS

MODEL	LIST	LENGTH	WEIGHT
C-SHA-4	\$807	4"	22#
C-SHA-4-ED	\$858	4"	24#
C-SHA-6	\$846	6"	25#
C-SHA-6-ED	\$903	6"	27#

24" DEEP SODA GUN HOLDERS

C-SHB-4	\$856	4"	22#
C-SHB-4-ED*	\$918	4"	24#
C-SHB-6	\$895	6"	25#
C-SHB-6-ED*	\$961	6"	27#

38" DEEP PASS THRU SODA GUN HOLDERS

C-SHP-4*	\$1,345	4"	32#
C-SHP-4-ED*	\$1,434	4"	34#
C-SHP-6*	\$1,424	6"	35#
C-SHP-6-ED*	\$1,519	6"	37#

*NOTE: These items are manufactured to order and are not returnable

PRODUCT INFORMATION

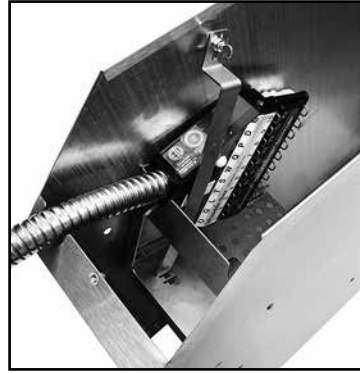
(see C-SH Spec Sheet for complete details)

STANDARD FEATURES

- All stainless steel construction
- Designed to house the manifold of Wunder-Bar® or Schroeder America™ 8 to 14 button soda guns
- Includes integral drip pan with radius corners for easy cleaning
- Built-in holder for soda gun
- Top cover is removable for access to the soda manifold
- Allows you to dictate the soda gun location
- Eliminates the need for tubing bundles above the work surface
- Designed to mount to at least one other piece of underbar equipment (there is no provision for leg mounting)
- Pre-aligned mounting holes and bolts ensure a secure and exact fit when mounting adjoining units
- Extra deep “-ED” models available to align with extra-deep style ice bins



C-SMHA-6



C-SMHA-6 with top cover removed and soda manifold installed

***NOTE:** These items are manufactured to order and are not returnable

PRODUCT INFORMATION

(see C-SMH Spec Sheet for complete details)

STANDARD FEATURES

- All stainless steel construction
- Designed to house the manifold of Wunder-Bar® or Schroeder America™ 8 to 14 button soda guns
- Once installed, the top of the housing is 34" high
- Top cover is removable for access to the soda manifold
- Eliminates the need for tubing bundles above the work surface
- Mounts to an adjacent piece of Choice underbar (there is no provision for leg mounting)
- The soda gun drip cup supplied by the soda gun manufacturer mounts to the underside of your bar top
- Extra deep "-ED" models available to align with extra-deep style ice bins

19" DEEP SODA MANIFOLD HOUSINGS

MODEL	LIST	LENGTH	WEIGHT
C-SMHA-4	\$561	4"	20#
C-SMHA-4-ED*	\$602	4"	22#
C-SMHA-6*	\$601	6"	23#
C-SMHA-6-ED*	\$647	6"	25#

24" DEEP SODA MANIFOLD HOUSINGS

C-SMHB-4*	\$596	4"	24#
C-SMHB-4-ED*	\$669	4"	26#
C-SMHB-6*	\$638	6"	28#
C-SMHB-6-ED*	\$717	6"	30#

38" DEEP PASS THRU MANIFOLD HOUSING

C-SMHP-4*	\$942	4"	35#
C-SMHP-4-ED*	\$1,023	4"	37#
C-SMHP-6*	\$1,015	6"	38#
C-SMHP-6-ED*	\$1,099	6"	40#



UMGH



UNDERCOUNTER MOUNT GUN HOLDER

MODEL	LIST	WGT
UMGH	\$164	3#

14 gauge stainless steel with rubber grommet and plastic drip pan. Grommet is specially sized to properly hold both Wunder-Bar® and Schroeder America™ style soda guns. Includes 10' of drain line tube.

Choice Tubing Chases*



C-TCA

***NOTE:** Choice Tubing Chases are manufactured to order and are not returnable

PRODUCT INFORMATION

(see C-TC Spec Sheet for complete details)

STANDARD FEATURES

- All stainless steel construction
- Tubing chase is 5-1/2" x 6" x 4" high
- Mounts between adjacent underbar equipment (there is no provision for leg mounting)
- Can be set in place after beverage lines are installed

TUBING CHASES

MODEL	LIST	LENGTH	DEPTH	WEIGHT
C-TCA	\$557	6"	19"	20#
C-TCB	\$632	6"	24"	24#



C-BSA-12

PRODUCT INFORMATION

(see C-BS and C-FBS Spec Sheets for complete details)

STANDARD FEATURES

- All stainless steel construction
- One-piece seamless top and backsplash
- Adjustable stainless steel bullet feet
- Sink models have 9-1/4" by 11-1/2" by 6" deep sink bowl with hot and cold water faucet.
- Blender shelf features radius interior corners for easy cleaning
- Power cord access hole with grommet located on front skirt, behind the blender
- 24" deep models have a 9" deep shelf
- 29" deep models have a 10" deep shelf
- Junction box for duplex GFI outlet mounted underneath blender shelf (outlet not included)



C-FBSA-12

24" DEEP BLENDER STATIONS

MODEL	LIST	LENGTH	WEIGHT
C-BSA-12	\$1,992	12"	48#
C-BSA-14	\$1,971	14"	50#
C-BSA-18L †*	\$2,055	18"	55#
C-BSA-18R †*	\$2,055	18"	55#

29" DEEP BLENDER STATIONS

C-BSB-12*	\$2,106	12"	53#
C-BSB-14*	\$2,149	14"	55#
C-BSB-18*	\$2,246	18"	60#

† Denotes faucet location as left or right

24" DEEP FILLERBOARD BLENDER STATIONS

MODEL	LIST	LENGTH	WEIGHT
C-FBSA-12*	\$1,148	12"	40#
C-FBSA-14*	\$1,180	14"	42#
C-FBSA-18*	\$1,227	18"	45#

29" DEEP FILLERBOARD BLENDER STATIONS

C-FBSB-12*	\$1,182	12"	45#
C-FBSB-14*	\$1,217	14"	47#
C-FBSB-18*	\$1,266	18"	50#

*NOTE: These blender stations are manufactured to order and are not returnable

Bar Fabrication - Choice



Optional foot-operated faucets

- | | |
|--------------|--------------|
| FOF-B | FOF-D |
| • C-BSA-12 | • C-BSA-14 |
| | • C-BSA-18L |
| | • C-BSA-18R |
| | • C-BSB-12 |
| | • C-BSB-14 |
| | • C-BSB-18 |



C-BBS-12

Additional blender shelf space can be added to standard underbar units by specifying a Choice Bolt-on Blender Shelf. Choice Bolt-on Blender Shelves are 10" deep and include a junction box for duplex outlet (outlet not included) mounted below the shelf.

CHOICE BOLT-ON BLENDER SHELVES

MODEL	DESCRIPTION	LIST	WGT
C-BBS-12	12" bolt-on blender shelf	\$347	12#
C-BBS-18	18" bolt-on blender shelf	\$375	18#

CONFIGURABLE OPTIONS

MODEL	DESCRIPTION	LIST	WGT
FOF-B	Convert C-BSA-12 to foot-operated backsplash faucet	\$658	3#
FOF-D	Convert C-BSA-14, C-BSA-18L, C-BSA-18R, C-BSB-12, C-BSB-14, and C-BSB-18 to foot-operated deck faucet	\$502	3#

ACCESSORIES

MODEL	DESCRIPTION	LIST	WGT
03000483	Wet waste sink strainer	\$66	1#
C-LS15-F	Left side splash for 24"d blender station	\$178	4#
C-RS15-F	Right side splash for 24"d blender station	\$178	4#
C-LSA-F	Left side splash for 29"d blender station	\$178	4#
C-RSA-F	Right side splash for 29"d blender station	\$178	4#
TR	Towel ring	\$24	1#

WARNING: The plastic wet waste strainer included with this product can expose you to chemicals including Bisphenol A (BPA), which is known to the State of California to cause birth defects or other reproductive harm. For more information, go to www.P65Warnings.ca.gov. **Warning applies to State of California only.** Part #03000483



C-FBB-24

PRODUCT INFORMATION

(see C-FB Spec Sheet for complete details)

STANDARD FEATURES

- All stainless steel construction
- Adjustable stainless steel bullet feet
- One-piece seamless top and backsplash

Choice Fillerboards are constructed of all stainless steel and include a flat work surface for situations where a draining work surface is not desired. Fillerboards are not typically used for glass storage, but are more commonly used as a place to set a printer, POS system, or cash drawer.

19" DEEP FILLERBOARDS

MODEL	LIST	LENGTH	WEIGHT
C-FBA-18	\$1,047	18"	40#
C-FBA-24	\$1,142	24"	45#

24" DEEP FILLERBOARDS

C-FBB-18	\$1,172	18"	45#
C-FBB-24	\$1,293	24"	50#

*NOTE: Fillerboards are manufactured to order and are not returnable

FILLERBOARD ACCESSORIES

MODEL	DESCRIPTION	LIST	WGT
C-SR-18	18" single speed rail	\$216	6#
C-SR-24	24" single speed rail	\$237	7#
C-DR-18	18" double speed rail	\$430	11#
C-DR-24	24" double speed rail	\$468	14#
C-LSA-F	Left side splash for C-FBA models	\$178	4#
C-RSA-F	Right side splash for C-FBA models	\$178	4#
C-LSB-F	Left side splash for C-FBB models	\$208	5#
C-RSB-F	Right side splash for C-FBB models	\$208	5#



C-RBD-18

PRODUCT INFORMATION

(see C-RDB Spec Sheet for complete details)

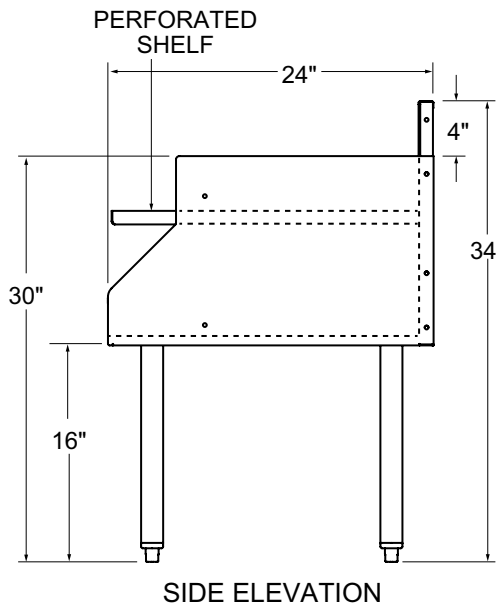
STANDARD FEATURES

- All stainless steel construction
- Adjustable stainless steel bullet feet
- One-piece seamless top and backsplash featuring 1/4" radius corners for easy cleaning
- Corrugated work surface
- Lift-out stainless steel perforated shelf for stacking glassware

*NOTE: Recessed drainboards are manufactured to order and are not returnable

RECESSED DRAINBOARDS

MODEL	LIST	LENGTH	WEIGHT
C-RDB-12	\$1,227	12"	50#
C-RDB-18	\$1,363	18"	55#
C-RDB-24	\$1,508	24"	60#



SIDE ELEVATION

Recessed drainboards have the same corrugated work surface as normal drainboards except the work surface has been lowered to allow stacking of glassware. A perforated shelf is placed on top of the first level of glassware and a second layer of glassware is stacked on top of it. Recessed drainboards work best when only one style of glassware is being stored.



C-DBB-12

PRODUCT INFORMATION

(see C-DB Spec Sheet for complete details)

STANDARD FEATURES

- All stainless steel construction
- Adjustable stainless steel bullet feet
- Corrugated work surface
- One-piece seamless top and backsplash featuring 1/4" radius corners for easy cleaning
- Standard models available in 6" incremental lengths from 12" to 48"
- 24" deep models provide a larger drainboard storage area not just a deck extension on the back of the 19" deep model

19" DRAINBOARDS

MODEL	LIST	LENGTH	WEIGHT
C-DBA-12	\$1,011	12"	45#
C-DBA-18	\$1,091	18"	50#
C-DBA-24	\$1,171	24"	55#
C-DBA-30*	\$1,251	30"	60#
C-DBA-36*	\$1,331	36"	65#
C-DBA-42*	\$1,411	42"	70#
C-DBA-48*	\$1,491	48"	75#

24" DRAINBOARDS

C-DBB-12	\$1,090	12"	50#
C-DBB-18	\$1,180	18"	55#
C-DBB-24	\$1,270	24"	60#
C-DBB-30*	\$1,360	30"	65#
C-DBB-36*	\$1,450	36"	70#
C-DBB-42*	\$1,540	42"	75#
C-DBB-48*	\$1,630	48"	80#

DRAINBOARD ACCESSORIES

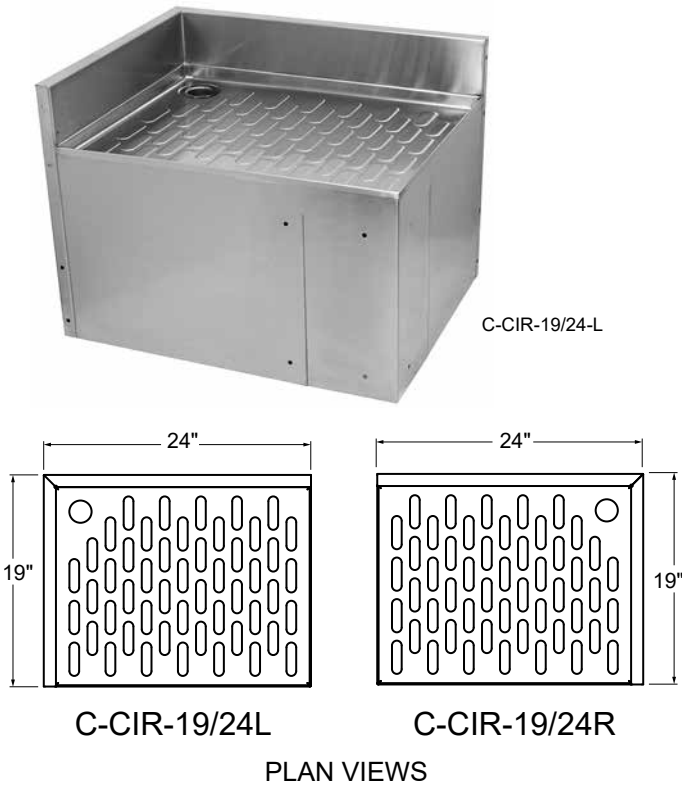
MODEL	DESCRIPTION	LIST	WEIGHT
C-SR-12	12" single speed rail	\$195	5#
C-SR-18	18" single speed rail	\$216	6#
C-SR-24	24" single speed rail	\$237	7#
C-SR-30	30" single speed rail	\$258	9#
C-SR-36	36" single speed rail	\$279	10#
C-SR-42	42" single speed rail	\$300	12#
C-SR-48	48" single speed rail	\$321	13#
C-DR-12	12" double speed rail	\$392	9#
C-DR-18	18" double speed rail	\$430	11#
C-DR-24	24" double speed rail	\$468	14#
C-DR-30	30" double speed rail	\$506	16#
C-DR-36	36" double speed rail	\$544	18#
C-DR-42	42" double speed rail	\$582	21#
C-DR-48	48" double speed rail	\$620	24#
C-LSA-D	Left side splash for C-DBA models	\$178	4#
C-RSA-D	Right side splash for C-DBA models	\$178	4#
C-LSB-D	Left side splash for C-DBB models	\$208	5#
C-RSB-D	Right side splash for C-DBB models	\$208	5#

*NOTE: These items are manufactured to order and are not returnable

Corner Inside Rectangle Drainboards are for 90° inside turns only. The dimensions of the corner are specified in the model number. If the dimensions of each side are not the same, the longest dimension is specified second along with its location.

Corner drainboards are designed to mount between two pieces of Choice underbar. However, they can also be mounted between any two stable vertical surfaces. Corners should not be mounted to objects that are mobile or on casters.

Configurable leg set options are available for one-side mounting. Because they are intended to mount between two vertical surfaces, corner drainboards do not come standard with legs. If one side of the corner does not have a vertical surface on which to mount, then a leg set must be ordered.



CORNER INSIDE RECTANGLE DRAINBOARDS WITH CHAMFERED BACK CORNER

PLAN VIEWS

CORNER INSIDE RECTANGLE DRAINBOARDS WITH CHAMFERED BACK CORNER				
C-CIR-19/19-N*	\$1,174	19"	19"	40#
C-CIR-24/24-N*	\$1,299	24"	24"	50#
C-CIR-24/24-LN*	\$1,195	24"	24"	45#

Bar Fabrication - Choice

CORNER INSIDE RECTANGLE DRAINBOARDS				
MODEL	LIST	LEFT	RIGHT	WEIGHT
C-CIR-19/19*	\$1,138	19"	19"	40#
C-CIR-19/24L*	\$1,199	24"	19"	45#
C-CIR-19/24R*	\$1,199	19"	24"	45#
C-CIR-19/30L*	\$1,273	30"	19"	50#
C-CIR-19/30R*	\$1,273	19"	30"	50#
C-CIR-24/24	\$1,268	24"	24"	50#
C-CIR-24/30L	\$1,348	30"	24"	55#
C-CIR-24/30R	\$1,348	24"	30"	55#

PRODUCT INFORMATION
(see C-CIR Spec Sheet for complete details)

STANDARD FEATURES

- All stainless steel construction
- Designed to mount between two adjacent pieces of Choice underbar equipment
- Corrugated work surface features 1/4" radius corners for easy cleaning

CONFIGURABLE LEG SET OPTION

DESCRIPTION	LIST
Leg set, one-side mounting	\$141

*NOTE: These items are manufactured to order and are not returnable

Corner outside wedge drainboards and inside wedge fillerboards are 24" deep and designed to mount between two pieces of Choice underbar. However, they can be mounted between any two stable vertical surfaces. Corners should not be mounted to objects that are mobile or on casters.

Configurable leg set options are available for one-side mounting for C-COWB-45 and C-CIWB-45 only. Because they are intended to mount between two vertical surfaces, these models do not come standard with legs. If one side of either C-COWB-45 or C-CIWB-45 does not have a vertical surface on which to mount, then a leg set must be ordered.



C-COWB-45



C-CIWB-15

24" DEEP CORNER OUTSIDE WEDGE DRAINBOARDS

MODEL	LIST	DEGREE	TURN	WEIGHT
C-COWB-45	\$1,109	45°	Outside	40#

*NOTE: Choice Corner Outside Wedge Drainboards are manufactured to order and are not returnable

PRODUCT INFORMATION

(see C-COW Spec Sheet for complete details)

STANDARD FEATURES

- All stainless steel construction
- Designed to mount between two adjacent pieces of Choice underbar equipment
- Corrugated work surface features 1/4" radius corners for easy cleaning

24" DEEP CORNER INSIDE WEDGE FILLERBOARDS

MODEL	LIST	DEGREE	TURN	WEIGHT
C-CIWB-5	\$450	5°	Inside	25#
C-CIWB-10	\$473	10°	Inside	27#
C-CIWB-15	\$614	15°	Inside	29#
C-CIWB-20	\$630	20°	Inside	31#
C-CIWB-25	\$647	25°	Inside	33#
C-CIWB-30	\$664	30°	Inside	35#
C-CIWB-45	\$1,134	45°	Inside	38#

*NOTE: Choice Corner Inside Wedge Fillerboards are manufactured to order and are not returnable

PRODUCT INFORMATION

(see C-CIWB Spec Sheet for complete details)

STANDARD FEATURES

- All stainless steel construction
- Designed to mount between two adjacent pieces of Choice underbar equipment
- Flat work surface excluding 45° model which features a corrugated work surface

CONFIGURABLE LEG SET OPTION

APPLICABLE MODEL	DESCRIPTION	LIST
C-COWB-45	Leg set, one-side mounting	\$141
C-CIWB-45	Leg set, one-side mounting	\$141

Glassracks are designed to hold racks of glassware stacked on top of each other. The 24" wide model holds 20" by 20" racks and the 18" wide models hold the 16" round racks used with the Glastender GT-18 glasswashers. Optional shelves are available as an accessory.

PRODUCT INFORMATION

(see C-GR Spec Sheet for complete details)

STANDARD FEATURES

- All stainless steel construction
- Adjustable stainless steel bullet feet
- Full bottom shelf includes drain

19" DEEP OPEN GLASSRACKS

MODEL	LIST	LENGTH	WEIGHT
C-GRA-18	\$1,317	18"	55#
C-GRA-24	\$1,470	24"	65#

24" DEEP OPEN GLASSRACKS

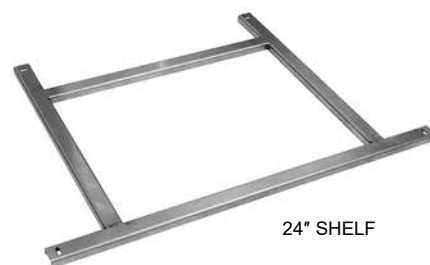
C-GRB-18	\$1,509	18"	65#
C-GRB-24	\$1,674	24"	75#

OPEN GLASSRACK ACCESSORY

MODEL	DESCRIPTION	LIST	WEIGHT
03013601	Shelf kit for 18" wide model, includes two shelves and eight clips	\$486	7#
03013602	Shelf kit for 24" wide model, includes two shelves and eight clips	\$506	8#



C-GRA-24



24" SHELF

*NOTE: Choice Open Glassracks are manufactured to order and are not returnable

Choice Drainboard Glassracks



C-DBG3-24

Drainboard Glassracks are designed to hold racks for glassware. All models are 24" deep. The 24" wide model holds 20" by 20" racks and the 18" wide model holds the 16" round racks used with Glastender GT-18 glasswashers.

PRODUCT INFORMATION

(see C-DBG Spec Sheet for complete details)

STANDARD FEATURES

- All stainless steel construction
- Adjustable stainless steel bullet feet
- One-piece seamless top and backsplash featuring 1/4" radius corners for easy cleaning
- Corrugated work surface
- Includes bottom floor and two sets of rack slides for storing up to three glass racks below the work surface

NOTE: Three racks up to 7" high or two racks up to 10-1/2" high.

24" DEEP DRAINBOARD GLASSRACKS

MODEL	LIST	LENGTH	WEIGHT
C-DBG3-18	\$1,736	18"	70#
C-DBG3-24	\$1,904	24"	80#

DRAINBOARD GLASSRACK ACCESSORIES

MODEL	DESCRIPTION	LIST	WGT
C-LSB-D	Left side splash for 24"d (B) models	\$208	5#
C-RSB-D	Right side splash for 24"d (B) models	\$208	5#

Drainboard Cabinets have a bottom shelf and drainboard work surface. An adjustable intermediate shelf is available as an accessory. They are available with or without doors. The models with doors come with a lock standard. The 12", 18", and 24" wide models only have one door and all other models have two doors.



C-DBC-24

PRODUCT INFORMATION
(see C-DBC Spec Sheet for complete details)

STANDARD FEATURES

- All stainless steel construction
- Adjustable stainless steel bullet feet
- One-piece seamless top and backsplash featuring 1/4" radius corners for easy cleaning
- Corrugated work surface
- Lock(s) standard on models with a door(s)
- Units with a single door come hinged left, but the door is field reversible
- Plumbing connection is made underneath the unit and does not interfere with shelf or floor

DRAINBOARD CABINET ACCESSORIES

MODEL	DESCRIPTION	LIST	WEIGHT
03013585	Shelf kit for C-DBCA-12	\$244	5#
03013586	Shelf kit for C-DBCA-18	\$257	6#
03013587	Shelf kit for C-DBCA-24	\$270	7#
03013588	Shelf kit for C-DBCA-30	\$284	8#
03013589	Shelf kit for C-DBCA-36	\$297	10#
03013590	Shelf kit for C-DBCA-42	\$311	11#
03013591	Shelf kit for C-DBCA-48	\$325	12#
03013592	Shelf kit for C-DBC-12	\$253	5#
03013593	Shelf kit for C-DBC-18	\$271	7#
03013594	Shelf kit for C-DBC-24	\$288	8#
03013595	Shelf kit for C-DBC-30	\$306	10#
03013596	Shelf kit for C-DBC-36	\$323	12#
03013597	Shelf kit for C-DBC-42	\$340	13#
03013598	Shelf kit for C-DBC-48	\$358	15#
C-LSA-D	Left side splash for 19"d (A) models	\$178	4#
C-RSA-D	Right side splash for 19"d (A) models	\$178	4#
C-LSB-D	Left side splash for 24"d (B) models	\$208	5#
C-RSB-D	Right side splash for 24"d (B) models	\$208	5#

19" DRAINBOARD CABINETS*

MODEL	LIST	LENGTH	WEIGHT
C-DBCA-12	\$1,891	12"	65#
C-DBCA-18	\$2,117	18"	75#
C-DBCA-24	\$2,343	24"	85#
C-DBCA-30	\$2,721	30"	95#
C-DBCA-36	\$2,944	36"	105#
C-DBCA-42	\$3,171	42"	115#
C-DBCA-48	\$3,397	48"	125#

19" DRAINBOARD CABINETS LESS DOORS*

C-DBCA-12-LD	\$1,366	12"	59#
C-DBCA-18-LD	\$1,511	18"	66#
C-DBCA-24-LD	\$1,657	24"	73#
C-DBCA-30-LD	\$1,803	30"	80#
C-DBCA-36-LD	\$1,949	36"	87#
C-DBCA-42-LD	\$2,094	42"	94#
C-DBCA-48-LD	\$2,239	48"	101#

24" DRAINBOARD CABINETS

C-DBC-12	\$1,885	12"	75#
C-DBC-18	\$2,113	18"	85#
C-DBC-24	\$2,341	24"	95#
C-DBC-30*	\$2,713	30"	105#
C-DBC-36*	\$2,941	36"	115#
C-DBC-42*	\$3,168	42"	125#
C-DBC-48*	\$3,398	48"	135#

24" DRAINBOARD CABINETS LESS DOORS

C-DBC-12-LD	\$1,392	12"	69#
C-DBC-18-LD	\$1,547	18"	76#
C-DBC-24-LD	\$1,702	24"	83#
C-DBC-30-LD*	\$1,856	30"	90#
C-DBC-36-LD*	\$2,008	36"	97#
C-DBC-42-LD*	\$2,161	42"	104#
C-DBC-48-LD*	\$2,318	48"	111#

*NOTE: These items are manufactured to order and are not returnable



C-HSA-12-D



C-DHSB-12

CONFIGURABLE OPTIONS

MODEL	DESCRIPTION	LIST	WEIGHT
C-LSA-D	Left side splash for 19"deep (A) models	\$178	4#
C-RSA-D	Right side splash for 19"deep (A) models	\$178	4#
C-LSB-D	Left side splash for 24"deep (B) models	\$208	5#
C-RSB-D	Right side splash for 24"deep (B) models	\$208	5#
FOF-D	Foot-operated deck faucet for C-DHSB-12, C-HSA-12, C-HSA-12-D, C-HSB-12, C-HSB-12-D, C-SWA-12, and C-SWB-12	\$502	3#
KOF-D	Knee-operated deck faucet for C-HSB-12 and C-SWB-12	\$519	3#



FOF-D
Optional foot-operated deck faucet



KOF-D
Optional knee-operated deck faucet

NOTE: FOF and KOF - see table for applicable models

ACCESSORIES

MODEL	DESCRIPTION	LIST	WEIGHT
C-SR-12	12" single speed rail, cannot mount to "-D" models	\$195	5#
C-DR-12	12" double speed rail, cannot mount to "-D" models	\$392	9#
C-DWR-S	Dry waste rail, aligns with single speed rail, cannot mount to "-D" models	\$218	5#
C-DWR-D	Dry waste rail, aligns with double speed rail, cannot mount to "-D" models	\$445	9#
03000483	Wet waste sink strainer (standard on "C-SW" models)	\$66	2#
03000511	Wrist handles, set of two	\$56	2#
TR	Towel ring	\$24	1#
DWC	Trash receptacle, stainless steel	\$583	10#
03005491	Trash receptacle, 28½ qt., gray plastic	\$83	5#
TD-C	Paper towel dispenser, C-fold	\$319	5#
03001873	Liquid soap dispenser, hand-pump	\$92	1#
03014739	Aerator, faucet, 1.5 GPM	\$17	1#
03014738	Aerator, faucet, 0.5 GPM	\$17	1#
03014737	Aerator, faucet, 0.2 GPM	\$17	1#

19" DEEP HAND SINKS

MODEL	LIST	LENGTH	WEIGHT
C-HSA-12	\$1,761	12"	45#
C-HSA-12-D	\$2,098	12"	50#

19" DEEP WET WASTE SINK

C-SWA-12	\$1,827	12"	47#
----------	---------	-----	-----

24" DEEP HAND SINKS

C-DHSB-12	\$2,321	12"	60#
C-HSB-12	\$1,857	12"	50#
C-HSB-12-D	\$2,201	12"	55#

24" DEEP WET WASTE SINK

C-SWB-12	\$1,923	12"	52#
----------	---------	-----	-----

PRODUCT INFORMATION

(see C-DHSB, C-HS, and C-SW Spec Sheets for complete details)

⚠ WARNING: The plastic wet waste strainer included with this product can expose you to chemicals including Bisphenol A (BPA), which is known to the State of California to cause birth defects or other reproductive harm. For more information, go to www.P65Warnings.ca.gov. **Part #03000483**
Warning applies to State of California only.



03000483

All Sink Cabinets are 24" deep and available with or without a locking door. The 12" wide chemical storage cabinet holds three 1-gallon chemical containers. The 18" wide dry waste cabinet holds a trash receptacle and has a 6" round trash chute in the work surface. The trash receptacle is not included.

The two 24" wide models include a 12" drainboard section with corrugated work surface. A vertical center divider allows three 1-gallon chemical containers to be stored below the sink with the other side of the cabinet available for additional storage. An intermediate shelf for the cabinet storage below the drainboard is available as an accessory. The sink may be located to the left or right, which is signified by the L or R in the model number.



C-SC-12



C-SC-18



C-SC-24R

Bar Fabrication - Choice

12" WIDE X 24" DEEP SINK CABINETS

MODEL	LIST	LTH	WGT
C-SC-12	\$2,660	12"	70#
C-SC-12-LD	\$2,202	12"	64#

18" WIDE X 24" DEEP SINK CABINETS

MODEL	LIST	LTH	WGT
C-SC-18	\$2,826	18"	80#
C-SC-18-LD	\$2,270	18"	71#

24" WIDE X 24" DEEP SINK CABINETS

MODEL	LIST	LTH	WGT
C-SC-24L*	\$3,403	24"	95#
C-SC-24R*	\$3,403	24"	95#
C-SC-24L-LD*	\$2,715	24"	83#
C-SC-24R-LD*	\$2,715	24"	83#

* = L = Sink Left, R = Sink Right

PRODUCT INFORMATION

(see C-SC Spec Sheet for complete details)

STANDARD FEATURES

- Manufactured with total welded construction to meet NSF® standards
- All stainless steel construction
- One-piece seamless top and backsplash featuring 1/4" radius corners for easy cleaning
- Adjustable stainless steel feet
- 9-1/4" by 11-1/2" by 6" deep sink bowl with hot and cold water gooseneck faucet
- Cabinet base with front hinged access door (available less door - specify "-LD" suffix in model number)

Optional foot-operated faucet

FOF-D

- C-SC-12
- C-SC-12-LD
- C-SC-18
- C-SC-18-LD
- C-SC-24L
- C-SC-24R
- C-SC-24L-LD
- C-SC-24R-LD



CONFIGURABLE OPTIONS

MODEL	DESCRIPTION	LIST	WEIGHT
C-LSB-D	Left side splash	\$208	5#
C-RSB-D	Right side splash	\$208	5#
FOF-D	Convert to foot-operated deck faucet for C-SC-12, C-SC-12-LD, C-SC-18, C-SC-18-LD, C-SC-24L, C-SC-24R, C-SC-24L-LD, & C-SC-24R-LD models	\$502	3#

ACCESSORIES

MODEL	DESCRIPTION	LIST	WEIGHT
03000483	Wet waste strainer	\$66	2#
DWC	Trash receptacle, stainless steel, for C-SC-18 models	\$583	10#
03005491	Trash receptacle, 28-1/2 qt, plastic, for C-SC-18 models	\$83	5#
TR	Towel ring	\$24	1#
03013600	Shelf kit for storage area below drainboard on C-SC-24 models	\$265	5#
03000511	Wrist handles (set of two)	\$56	2#

WARNING: The plastic wet waste strainer included with this product can expose you to chemicals including Bisphenol A (BPA), which is known to the State of California to cause birth defects or other reproductive harm. For more information, go to www.P65Warnings.ca.gov. **Warning applies to State of California only.** Part #03000483

All faucets are certified low lead compliant

C-MFS-12 MIXOLOGY UNIT*

Includes backsplash faucet, a lift-out perforated plastic sink strainer, and a 8" x 11" cutting board that is securely mounted but easily removable for cleaning

MODEL	LIST	LTH	WGT
C-MFS-12	\$2,554	12"	55#

*NOTE: This unit is manufactured to order and is not returnable

C-MFT-8 MIXOLOGY UNIT*

Includes push-down rinser faucet to rinse shaker cans, a 6" diameter seamless welded draining dipper well and faucet for mixology tools, and a 7-1/2" x 7-1/2" cutting board that is securely mounted but easily removable for cleaning. NOTE: No legs. Must mount to adjacent underbar.

MODEL	LIST	LTH	WGT
C-MFT-8	\$2,580	8"	40#

*NOTE: This unit is manufactured to order and is not returnable

C-MFT-20 MIXOLOGY UNIT

Includes backsplash faucet, push-down rinser faucet to rinse shaker cans, a lift-out perforated plastic sink strainer, a 6" diameter seamless welded draining dipper well and faucet for mixology tools, a 8" x 11" cutting board that is securely mounted but easily removable for cleaning, and an ice scoop well

MODEL	LIST	LTH	WGT
C-MFT-20	\$4,202	20"	65#

C-MRS-12 MIXOLOGY UNIT

Includes backsplash faucet, push-down rinser faucet to rinse shaker cans, and a lift-out perforated plastic sink strainer

MODEL	LIST	LTH	WGT
C-MRS-12	\$2,566	12"	55#

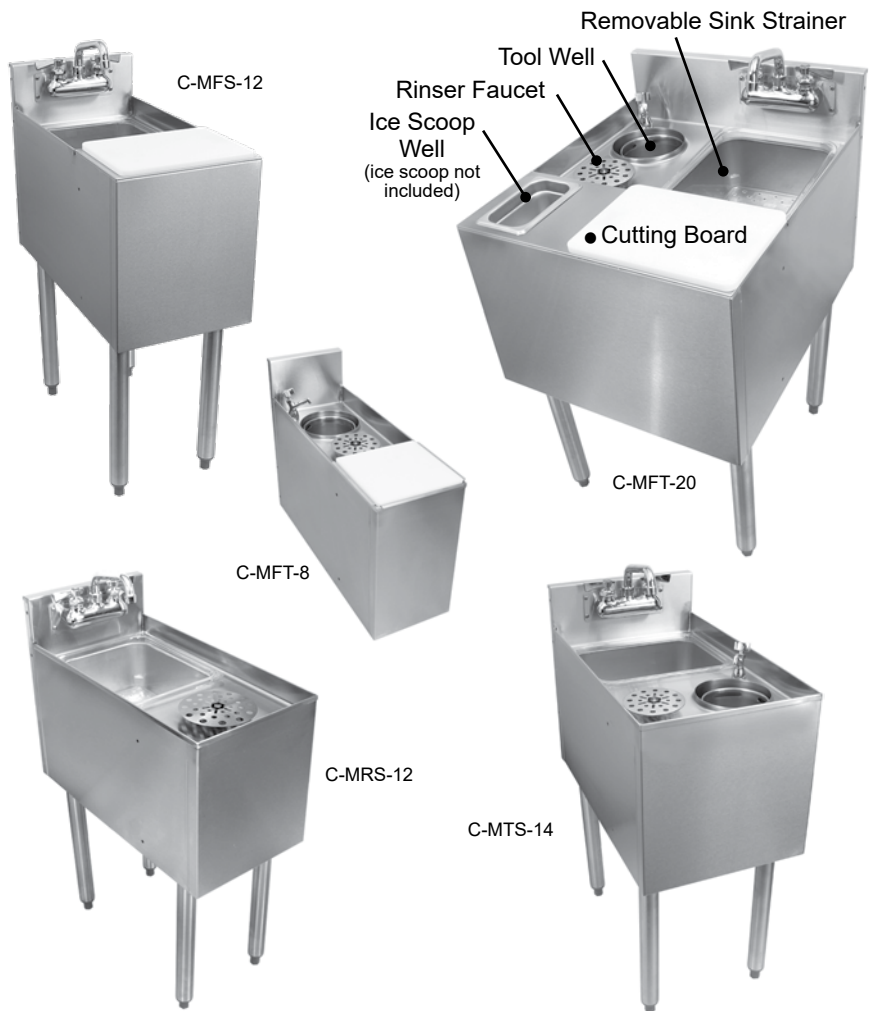
C-MTS-14 MIXOLOGY UNIT

Includes backsplash faucet, push-down rinser faucet to rinse shaker cans, a lift-out perforated plastic sink strainer, a 6" diameter seamless welded draining dipper well and faucet for mixology tools

MODEL	LIST	LTH	WGT
C-MTS-14	\$3,820	14"	55#

Rinser faucet installation notes:

- Important: Unit must be installed in conformance with applicable federal, state, and local plumbing codes, including adequate backflow when required.
- Must install backflow prevention device conforming to ANSI/ASSE 1022 or ANSI/ASSE 1024 to meet plumbing code (not included).
- Install in-line water regulator (included).
- A separate shut-off valve is recommended (not included).



FOF-B
Optional foot-operated faucet
(C-MFT-8 excluded)



KOF-B
Optional knee-operated faucet
(C-MFT-8 excluded)

CONFIGURABLE OPTIONS

MODEL	DESCRIPTION	LIST	WGT
C-LSM	Left side splash, C-MFS-12, C-MFT-8, C-MFT-20	\$178	4#
C-RSM	Right side splash, C-MFS-12, C-MFT-8, C-MFT-20	\$178	4#
C-LSB-D	Left side splash, C-MRS12, C-MTS-14	\$208	5#
C-RSB-D	Right side splash, C-MRS12, C-MTS-14	\$208	5#
FOF-B	Foot-operated backsplash faucet (C-MFT-8 excluded)	\$658	3#
KOF-B	Knee-operated backsplash faucet (C-MFT-8 excluded)	\$673	3#

WARNING: The plastic wet waste strainer included with this product can expose you to chemicals including Bisphenol A (BPA), which is known to the State of California to cause birth defects or other reproductive harm. For more information, go to www.P65Warnings.ca.gov. **Warning applies to State of California only.** Part #03000483

Bar Fabrication - Choice

Two Compartment Sinks

19" DEEP		24" DEEP		OVERALL LENGTH	SINK LOCATION	DRAINBOARD LENGTH	WEIGHT
MODEL	LIST	MODEL	LIST				
C-DSA-24*	\$3,145	C-DSB-24*	\$3,152	24"	Center	N/A	90#
C-DSA-36L*	\$3,302	C-DSB-36L*	\$3,360	36"	Left	12"	100#
C-DSA-36R*	\$3,302	C-DSB-36R*	\$3,360	36"	Right	12"	100#
C-DSA-48*	\$3,544	C-DSB-48*	\$3,618	48"	Center	2 @ 12"	110#

Three Compartment Sinks

C-TSA-36*	\$3,579	C-TSB-36*	\$3,570	36"	Center	N/A	110#
C-TSA-48L*	\$3,802	C-TSB-48L*	\$3,837	48"	Left	12"	120#
C-TSA-48R*	\$3,802	C-TSB-48R*	\$3,837	48"	Right	12"	120#
C-TSA-60	\$4,014	C-TSB-60	\$4,039	60"	Center	2 @ 12"	130#
C-TSA-72*	\$4,118	C-TSB-72*	\$4,190	72"	Center	2 @ 18"	145#
C-TSA-84*	\$4,385	C-TSB-84*	\$4,518	84"	Center	2 @ 24"	160#
C-TSA-96*	\$4,510	C-TSB-96*	\$4,729	96"	Center	2 @ 30"	175#

Four Compartment Sinks

C-FSA-48*	\$4,437	C-FSB-48*	\$4,519	48"	Center	N/A	125#
C-FSA-72	\$4,753	C-FSB-72	\$4,772	72"	Center	2 @ 12"	155#
C-FSA-84*	\$4,947	C-FSB-84*	\$5,144	84"	Center	2 @ 18"	170#
C-FSA-96*	\$5,133	C-FSB-96*	\$5,285	96"	Center	2 @ 24"	185#

Multiple Sink Accessories

MODEL	DESCRIPTION	LIST	WGT
C-SR-24	24" single speed rail	\$237	7#
C-SR-36	36" single speed rail	\$279	10#
C-SR-42	42" single speed rail	\$300	12#
C-SR-48	48" single speed rail	\$321	13#
C-SR-60	60" single speed rail	\$420	18#
C-SR-72	72" single speed rail	\$462	23#
C-DR-24	24" double speed rail	\$468	14#
C-DR-36	36" double speed rail	\$544	18#
C-DR-42	42" double speed rail	\$582	21#
C-DR-48	48" double speed rail	\$620	24#
C-DR-60	60" double speed rail	\$792	32#
C-DR-72	72" double speed rail	\$880	40#

NOTE: For 84" sink order two 42" speed rails or for 96" sink order two 48" speed rails.

C-LSA-D	Left side splash for 19"d (A) models	\$178	4#
C-RSA-D	Right side splash for 19"d (A) models	\$178	4#
C-LSB-D	Left side splash for 24"d (B) models	\$208	5#
C-RSB-D	Right side splash for 24"d (B) models	\$208	5#
TR	Towel ring	\$24	1#
LWS	Large wet waste strainer	\$88	3#
03002552	Sink cover, perforated, for C-DS models	\$171	5#
03002553	Sink cover, perforated, for C-TS models	\$256	8#
03002554	Sink cover, perforated, for C-FS models	\$344	12#

PRODUCT INFORMATION

(see C-DS, C-TS, and C-FS Spec Sheets for complete details)

STANDARD FEATURES

- All stainless steel construction and adjustable stainless steel bullet feet
- One-piece seamless top and backsplash featuring 1/4" radius corners for easy cleaning
- 20 gauge stainless steel fabricated sink bowls are 70% thicker than the competition's 20 gauge drawn bowls
- 11" by 14" by 10-1/4" deep sink bowl with hot and cold water faucet
- Extra wide sink bowl easily accommodates brush washer
- Perforated stainless steel inserts are available to cover sinks when not in use
- One over-flow tube per sink bowl included



Compartment Sinks come in three different varieties: two, three, and four compartment. They feature a one-piece stainless steel top that is seamless all the way through the backsplash. Each variety is offered with or without built-in drainboards on one or both sides of the sink compartment. The corrugated drainboards, where included, are a seamless and integral part of the work surface. The seamless welded bowls are 20 gauge fabricated stainless steel. An 'L' or 'R' suffix in the model number designates the location of the sink compartment as left or right when there is only one drainboard.

*NOTE: These compartment sinks are manufactured to order and are not returnable



C-LD-18

24" DEEP LIQUOR STEPS

MODEL	WITHOUT LOCKING COVER		WITH LOCKING COVER		LENGTH
	LIST	WEIGHT	LIST	WEIGHT	
C-LD-12	\$1,561	50#	\$2,476	50#	12"
C-LD-18	\$1,670	55#	\$2,667	55#	18"
C-LD-24	\$1,789	60#	\$2,852	60#	24"



Locking cover configurable option (shown on C-LD-12)

PRODUCT INFORMATION

(see C-LD Spec Sheet for complete details)

CONFIGURABLE OPTION

Locking Cover - The removable locking cover is one-piece and foldable for easy storage. The liquor steps are lowered 4" to accommodate the locking cover.

NOTE: Locking covers must be specified at time of order, cannot be added in the field.



C-PCB-24

PRODUCT INFORMATION

(see C-PCB Spec Sheet for complete details)

STANDARD FEATURES

- All stainless steel construction
- Adjustable stainless steel bullet feet
- One-piece seamless top and backsplash
- Louvered door for air flow on models with a door
- Lock standard on models with a door
- Special 26" high work surface height to accommodate cash drawer and POS monitor
- Grommated cord access hole in work surface
- Large access hole in back wall of unit

24" DEEP POS CABINETS

MODEL	LIST	LENGTH	WEIGHT
C-PCB-18	\$2,587	18"	71#
C-PCB-24	\$2,851	24"	81#

24" DEEP POS CABINETS LESS DOORS

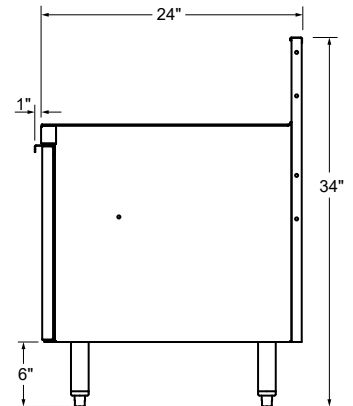
C-PCB-18-LD	\$1,801	18"	62#
C-PCB-24-LD	\$1,987	24"	69#

CONFIGURABLE OPTIONS*

MODEL	DESCRIPTION	LIST	WEIGHT
C-LSP	Left side splash	\$178	3#
C-RSP	Right side splash	\$178	3#



C-LSP-3 & C-RSP-3 Accessories (shown on C-PCB-24)



Installation Side Elevation

*NOTE: Verify cash drawer width before ordering side splash options

PRODUCT INFORMATION

(see C-IOS Spec Sheet for complete details)

The Choice Island Oasis® Stand is designed for use with the model number SB-3X Island Oasis® machine. The 18" wide by 29" deep stand has a lowered draining work surface and extended front to allow the machine to be stored at a convenient and usable height. In most bar applications, the clear plastic ice container will be visible above the bar top.

STANDARD FEATURES

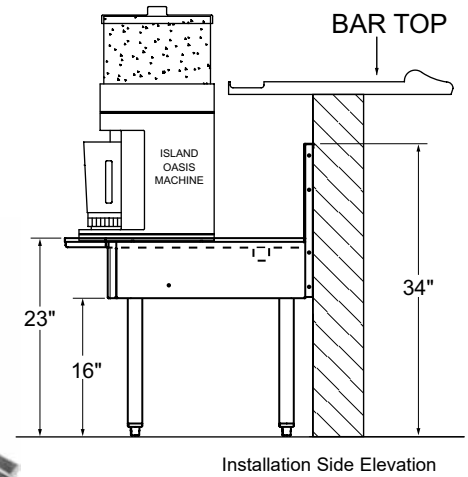
- All stainless steel construction
- Adjustable stainless steel bullet feet
- 1" deep drain pan work surface to capture excess moisture
- One-piece seamless top and backsplash featuring 1/4" radius corners for easy cleaning
- Lowered work surface with extended front
- Designed to keep the majority of the Island Oasis® (model #SB-3X) below the bar top with only the clear plastic ice tub visible above the bar top
- Chamfered front to eliminate "knee knockers"

ISLAND OASIS® STAND

MODEL	LIST	LENGTH	WEIGHT
C-IOS-18	\$1,515	18"	50#



C-IOS-18



Installation Side Elevation

*NOTE: Choice Island Oasis Stands are manufactured to order and are not returnable

Bar Fabrication - Choice

Choice Beer Drainers*

PRODUCT INFORMATION

(see C-BD Spec Sheet for complete details)

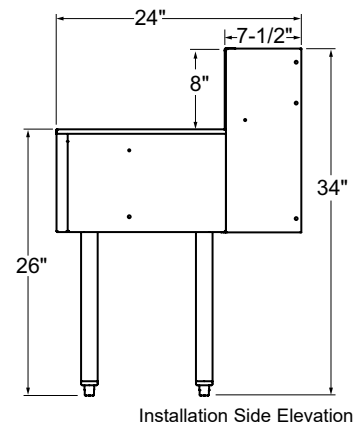
Beer Drainers have a 26" high, lowered work surface and are designed specifically for use with undercounter mounting beverage dispensers. The work surface includes a drain pan with perforated insert to serve as the drip pan for the dispenser and the backsplash is pulled forward 5" to provide access for beverage lines.

24" DEEP BEER DRAINERS

MODEL	LIST	LENGTH	WEIGHT
C-BD-18	\$1,142	18"	55#
C-BD-24	\$1,273	24"	60#
C-BD-30	\$1,403	30"	65#
C-BD-36	\$1,533	36"	70#



C-BD-18



Installation Side Elevation

*NOTE: Beer drainers are manufactured to order and are not returnable



C-DW-15L

PRODUCT INFORMATION

(see C-DW Spec Sheet for complete details)

There are four different Dry Waste Chute models to meet various installation requirements.

STANDARD FEATURES

- Lift-up top for emptying the trash receptacle
- Completely removable top for thorough cleaning
- C-DW-12 mounts between two adjacent pieces of Choice underbar and has no legs
- C-DW-15L and C-DW-15R include a single leg set and mount to an adjacent piece of Choice underbar
- C-DW-14-C† is freestanding
- All models are designed to house a Rubbermaid Slim Jim® trash receptacle

† Patent Pending

24" DEEP DRY WASTE CHUTES					CONFIGURABLE OPTIONS			
MODEL	LIST	LEG POSITION	LENGTH	WEIGHT	MODEL	DESCRIPTION	LIST	WEIGHT
C-DW-12	\$705	N/A	12"	30#	C-LSDW	Left side splash (C-DW-14-C†)	\$178	4#
C-DW-14-C†	\$2,320	N/A	14"	64#	C-RSDW	Right side splash (C-DW-14-C†)	\$178	4#
C-DW-15L	\$1,121	Left	15"	45#	ACCESSORY			
C-DW-15R	\$1,121	Right	15"	45#	MODEL	DESCRIPTION	LIST	WEIGHT
					03000497	Rubbermaid Slim Jim®	\$282	10#

Choice Clip-On Dry Waste Rails

PRODUCT INFORMATION

(see C-DWR Spec Sheet for complete details)

There are three different Clip-On Dry Waste Rail models to meet various installation requirements. For all three versions, the dry waste chute portion easily lifts off for thorough cleaning.



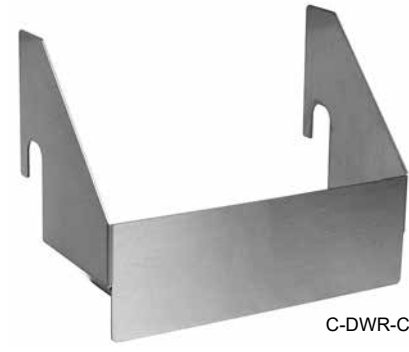
C-DWR-S

The C-DWR-S is 5" deep front-to-back and designed to align with adjacent equipment that has a single speed rail.



C-DWR-D

The C-DWR-D model is 10" deep front-to-back and designed to align with adjacent equipment that has a double speed rail. The C-DWR-D has a speed rail step in the back with the dry waste chute at the front.



C-DWR-C

The C-DWR-C model is designed to clip to another speed rail and adds 5" to the front-to-back depth.

STANDARD FEATURES

- All stainless steel construction
- Matches speed rail profile for continuity of design
- Bolts to the front skirt of non-cabinet base underbar equipment or clips to the rail of an underbar speed rails
- Stainless steel chute is removable for cleaning

CLIP-ON DRY WASTE RAILS

MODEL	LIST	LENGTH	DEPTH	WEIGHT
C-DWR-S	\$218	12"	5"	5#
C-DWR-D	\$445	12"	10"	9#
C-DWR-C	\$224	12"	5"	5#

PRODUCT INFORMATION

(see C-SR and C-DR Spec Sheets for complete details)



C-SR-18



C-DR-24



C-SRC-18



C-SRC-18
Shown installed
on speed rail

SINGLE SPEED RAILS

MODEL	LIST	LENGTH	WEIGHT
C-SR-12	\$195	12"	5#
C-SR-13 to 18	\$216	13" to 18"	6#
C-SR-19 to 24	\$237	19" to 24"	7#
C-SR-25 to 30	\$258	25" to 30"	9#
C-SR-31 to 36	\$279	31" to 36"	10#
C-SR-37 to 42	\$300	37" to 42"	12#
C-SR-43 to 48	\$321	43" to 48"	13#
C-SR-49 to 54	\$399	49" to 54"	16#
C-SR-55 to 60	\$420	55" to 60"	18#
C-SR-61 to 66	\$441	61" to 66"	21#
C-SR-67 to 72	\$462	67" to 72"	23#

DOUBLE SPEED RAILS

MODEL	LIST	LENGTH	WEIGHT
C-DR-12	\$392	12"	9#
C-DR-13 to 18	\$430	13" to 18"	11#
C-DR-19 to 24	\$468	19" to 24"	14#
C-DR-25 to 30	\$506	25" to 30"	16#
C-DR-31 to 36	\$544	31" to 36"	18#
C-DR-37 to 42	\$582	37" to 42"	21#
C-DR-43 to 48	\$620	43" to 48"	24#
C-DR-49 to 54	\$749	49" to 54"	28#
C-DR-55 to 60	\$792	55" to 60"	32#
C-DR-61 to 66	\$836	61" to 66"	36#
C-DR-67 to 72	\$880	67" to 72"	40#

LOCKING SPEED RAIL COVERS

MODEL	LIST	LENGTH	WEIGHT
C-SRC-12	\$332	12"	7#
C-SRC-13 to 18	\$359	13" to 18"	9#
C-SRC-19 to 24	\$385	19" to 24"	11#
C-SRC-25 to 30	\$413	25" to 30"	13#
C-SRC-31 to 36	\$443	31" to 36"	16#
C-SRC-37 to 42	\$470	37" to 42"	18#
C-SRC-43 to 48	\$498	43" to 48"	21#

Model number C-MD-41 Choice modular bar die has an overall height of 41", which provides the appropriate overall height for most bar applications. However, some interior designs require an extra thick bar top, so Choice modular bar die is also available with an overall height of 38". See model C-MD-38.

With the Choice Modular Bar Die, underbar equipment is mounted to and supported on the bar die. All the underbar equipment is pre-assembled and mounted to the bar die at the factory, then broken down into shippable sections. Installation of the bar die is very simple - easier than a conventional style underbar with a millwork bar die. The result is a beautiful, innovative underbar line up that is sealed to the floor, stainless from floor to bar top, eliminates all underbar leg sets, and hides the soda, beer, electrical, and plumbing lines.

PRODUCT INFORMATION

(see C-MD Spec Sheet for complete details)

FEATURES

- 16 gauge galvanized steel structure with stainless steel bartender side finishing
- 20A GFI outlets built into bar die wall based on customer preference (wiring not provided)
- LED lights built into bar die wall above underbar equipment (wiring not provided)
- Built in chaseways for beer, soda, plumbing, and electrical lines

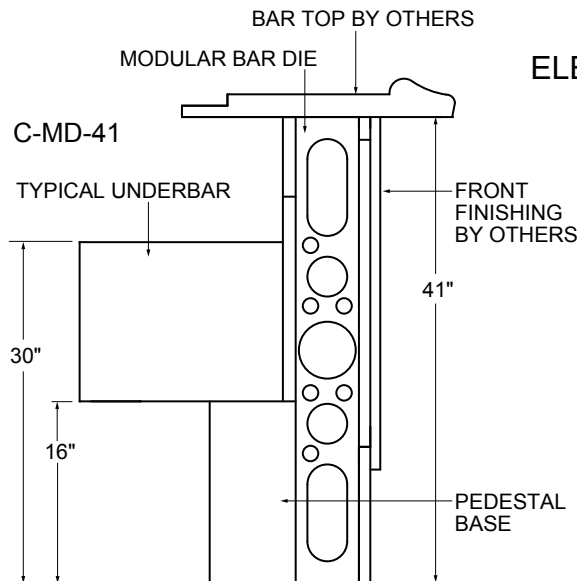
The total Number of feet required is calculated by determining the overall outside dimension of the bar die wall. Please round up to the nearest whole foot.

BENEFITS

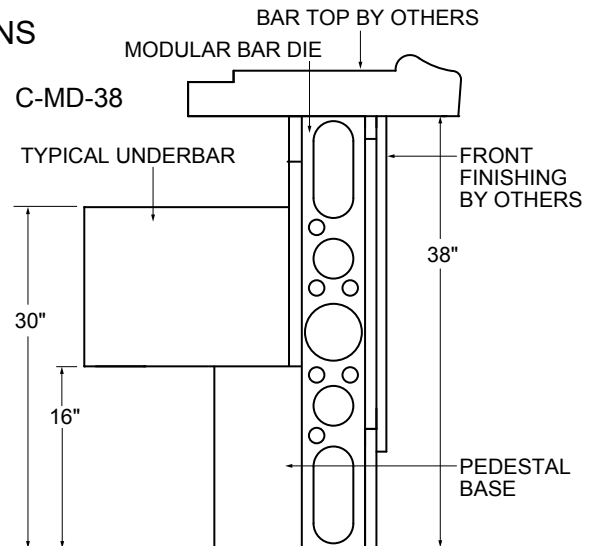
- Stainless steel from floor to bar top on bartender side
- Floor can be sealed to the bar die to prevent moisture from seeping from the bartender side to the customer side of the bar
- Galvanized steel structure will not rot
- Built-in chaseways hide beer, soda, plumbing, and electrical lines for a cleaner, more attractive bar
- Arrives pre-assembled from factory in sections up to 6 feet for easy installation - lowers installation costs. Just bolt the sections together, level, and attach the floor.
- Pre-engineered to exact dimensions to ensure a precise fit
- Can be used in conjunction with removable front millwork finishing panels to provide easy access to soda, beer, plumbing, and electrical lines for future modification, maintenance, or repair
- Millwork bar top and front panels can be pre-fabricated and easily attached
- Eliminates all underbar legs for easy cleaning



Bar Fabrication - Choice



SIDE ELEVATIONS



41" HIGH MODULAR BAR DIE

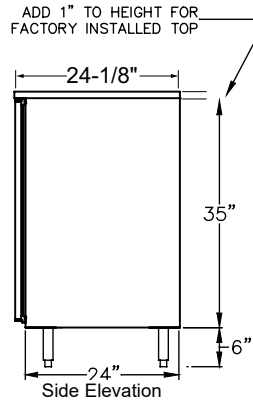
MODEL	DESCRIPTION	LIST	WEIGHT
C-MD-41	Price per foot	\$482	15#
MDT	48" wide vinyl template - price per foot	\$35	

38" HIGH MODULAR BAR DIE

MODEL	DESCRIPTION	LIST	WEIGHT
C-MD-38	Price per foot	\$482	15#
MDT	48" wide vinyl template - price per foot	\$35	



C1FB60 with compressor left, stainless doors and top



PRODUCT INFORMATION

(see C1FB Spec Sheet for complete details)

STANDARD FEATURES:

- Self-contained
- All stainless steel interior construction
- Draft beverage compatible - see page 82
- Listed to NSF Standard 7 for open food as a storage refrigerator

COOLERS - ONE ZONE, FRONT SERVICED, BAR PROFILE

MODEL	LIST	LENGTH	DOORS	DOOR				LONG NECK 750ML WINE				
				OPENING	WEIGHT	AMPS	HP	CASES	BOTTLES**	1/2 BARREL KEGS	1/6 BARREL KEGS	
C1FB32	\$6,700	32"	1	16" W	235#	3.0	1/8	5.8	65	N/A	2 †	
C1FB36	\$6,763	36"	1	20" W	250#	3.0	1/8	7.8	87	1	4	
C1FB52	\$8,857	52"	2	16" W	330#	7.0	1/4	13.3	151	N/A	7	
C1FB60	\$9,092	60"	2	20" W	360#	7.0	1/4	17.3	180	2	8	
C1FB72	\$10,523	72"	3	16" W	410#	7.0	1/4	21.1	240	N/A	11	
C1FB84	\$10,944	84"	3	20" W	490#	7.0	1/4	27.1	282	4	14 †	
C1FB92	\$12,677	92"	4	16" W	545#	7.0	1/4	28.8	329	N/A	15	
C1FB108	\$13,079	108"	4	20" W	590#	7.0	1/4	36.8	384	5	18	

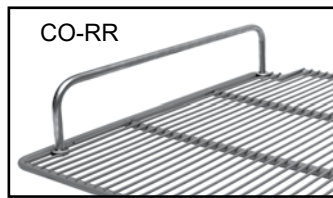
Base price only. See next page for configurable options.

**Wine bottle capacity is based on adjustable shelves. Drawers will hold less. NOTE: Coolers with drawers are not returnable.

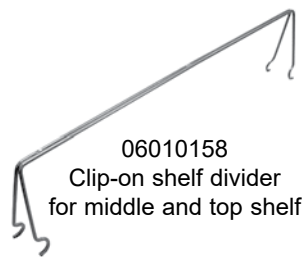
† If CO₂ tank is stored internally, reduce capacity by one keg

Bar Refrigeration

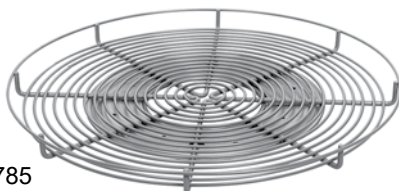
The CO-RR shelf retention rail should be used on all shelves adjacent to drawers and/or kegs. (CO-RR shown installed on shelf)



CWS-20
Wine rack shelf for 20" door opening



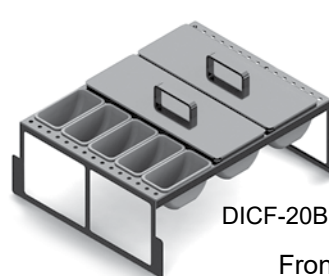
06010158
Clip-on shelf divider for middle and top shelf



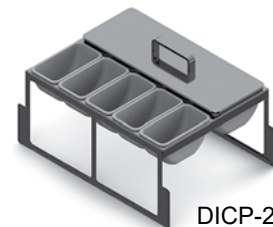
06009785

In a typical cooler, only the front row of bottles is easy to access. Glastender's rotary wine shelf increases access by 270% (16 vs. 6 bottles).

The rotary wine shelf is for use with C1FB36, C1FB60, C1FB84, and C1FB108 model coolers. Two rotary shelves can be used behind each 20" cooler door opening, where they sit on two standard cooler shelves. Each rotary shelf holds up to 29 wine bottles (750ml).



DICF-20B



DICP-20B

Front covers removed for illustrative purposes

ACCESSORIES

MODEL	DESCRIPTION	LIST
06009785	Rotary wine shelf (20" door opening ONLY)	\$284
CO-RR	Shelf retention rail	\$73
CWS-16	Wine rack shelf for 16" door opening, 5 bottle	\$171
CWS-20	Wine rack shelf for 20" door opening, 7 bottle	\$193
DICF-16B	Drawer insert, garnishes, full, 16" door opening, bar-profile cooler, 12 cups	\$588
DICP-16B	Drawer insert, garnishes, partial, 16" door opening, bar-profile cooler, 8 cups	\$443
DICF-20B	Drawer insert, garnishes, full, 20" door opening, bar-profile cooler 15 cups	\$692
DICP-20B	Drawer insert, garnishes, partial, 20" door opening, bar-profile cooler, 10 cups	\$512
DIP-20	Drawer insert for food pans	\$271
06010158	Clip-on shelf divider for middle and top shelf	\$45
06006013	Clip-on shelf divider for bottom shelf only	\$45



Draft Beverage Compatible

Select Configurable Options:

VOLTAGE

120V/60HZ	No charge
220V/50HZ (export voltage)	\$290

TEMPERATURE

Beer / Food, 34° to 40°, standard	No charge
White wine, 50° to 55°	No charge
Red wine, 60° to 65°	No charge

REFRIGERATION COMPARTMENT LOCATION

Left	No charge
Right	No charge

REFRIGERATION COMPARTMENT COVER FINISH

Black vinyl-clad	No charge
Unlaminated	No charge
Stainless steel	\$37
Jeweled stainless steel	\$219
Laminated	\$255

DOOR/DRAWER OPTIONS

NOTE: Select options for EACH Door/Drawer Section

STYLE AND FINISH - PER SECTION

Door - Black vinyl-clad	No charge
Door - Unlaminated	No charge
Door - Stainless steel	\$45
Door - Jeweled stainless	\$238
Door - Laminated	\$272
Door - Glass, black vinyl-clad	\$527
Door - Glass, stainless steel	\$572
Door - Glass, jeweled stainless	\$765
Door - Glass, laminated	\$799
Drawers* - Black vinyl-clad	\$2,183
Drawers* - Unlaminated	\$2,183
Drawers* - Stainless steel	\$2,228
Drawers* - Jeweled stainless	\$2,421
Drawers* - Laminated	\$2,455

*NOTE: Units with drawers are manufactured to order and are not returnable.

DOOR HINGE LOCATION - PER DOOR

Left	No charge
Right	No charge

SHELVING - PER DOOR

Three adjustable shelves	No charge
Keg rack (deduct shelves)	(\$99)
Pull-out wine shelves:	
• w/upright & horizontal storage	\$2,414
• w/upright storage	\$1,611
• w/horizontal storage*	\$3,018

*NOTE: Not available for door next to compressor compartment

DOOR HANDLE - PER DOOR/DRAWER

Signature handle (doors only)	No charge
Pull-tab handle - stainless or black to match door/drawer; black for laminate	No charge
Tube handle	No charge

NOTE: All coolers with drawers are manufactured to order and are not returnable.

TOP STYLE

	32"	36"	52"	60"	72"	84"	92"	108"
No finished top	No charge							
Stainless top	\$465	\$490	\$593	\$644	\$721	\$798	\$849	\$954

LEFT SIDE FINISH

Black vinyl-clad	No charge
Stainless Steel	\$45

RIGHT SIDE FINISH

Black vinyl-clad	No charge
Stainless Steel	\$45

BACK FINISH

	32"	36"	52"	60"	72"	84"	92"	108"
Galvanized steel	No charge							
Stainless steel*	\$370	\$381	\$434	\$460	\$498	\$536	\$564	\$615

*NOTE: Stainless steel back option also includes stainless steel sides.

LED LIGHTING STYLE

Bright white (7,000k), standard	No charge
Warm white (3,500k)	No charge
Amber (2,700k)	No charge
Blue	No charge

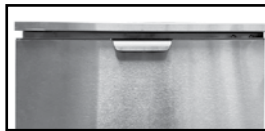
LEG AND STAINLESS STEEL KICK RAILS

NOTE: Legs are required if kick rails are ordered.

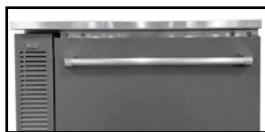
	32"	36"	52"	60"	72"	84"	92"	108"
6" legs	\$239	\$239	\$192	\$192	\$288	\$288	\$288	\$288
Front kick rail	\$129	\$134	\$153	\$163	\$179	\$192	\$203	\$220
Left side kick rail	\$120	\$120	\$120	\$120	\$120	\$120	\$120	\$120
Right side kick rail	\$120	\$120	\$120	\$120	\$120	\$120	\$120	\$120

CASTERS

	32"	36"	52"	60"	72"	84"	92"	108"
4-1/8" casters	\$210	\$210	\$172	\$172	\$259	\$259	\$259	\$259
2-7/8" casters	\$208	\$208	\$166	\$166	\$249	\$249	\$249	\$249



Drawer pull-tab handle



Drawer tube handle



Signature handle



Pull-tab handle



Optional drawers include adjustable divider walls



Optional pull-out wine shelves Horizontal (left) and upright (right) storage shown

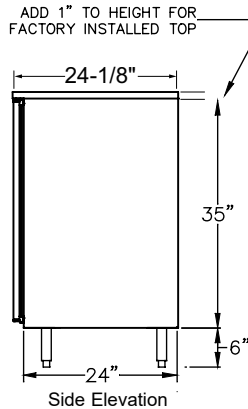


Tube handle

Bar Refrigeration



C2FB60 with compressor left, stainless doors, and stainless top



Draft Beverage Compatible



PRODUCT INFORMATION

(see C2FB Spec Sheet for complete details)

STANDARD FEATURES:

- Self-contained
- Available in three different configurations: beer/white wine, beer/red wine, or white/red wine
- The warmer compartment is always a single door located opposite the compressor end
- All stainless steel interior construction
- Draft beverage compatible - see page 82
- Listed to NSF Standard 7 for closed container products

*NOTE: C2FB coolers are manufactured to order and are not returnable.

COOLERS - TWO ZONE, FRONT SERVICED, BAR PROFILE

MODEL	LIST	LENGTH	DOORS	DOOR				LONG NECK 750ML WINE			
				OPENING	WEIGHT	AMPS	HP	CASES	BOTTLES**	1/2 BARREL KEGS	1/6 BARREL KEGS
C2FB52*	\$10,359	52"	2	16" W	365#	7.0	1/4	13.3	127	N/A	4
C2FB60*	\$10,592	60"	2	20" W	375#	7.0	1/4	17.3	160	2	8 †
C2FB72*	\$12,028	72"	3	16" W	475#	7.0	1/4	21.1	216	N/A	9
C2FB84*	\$12,345	84"	3	20" W	490#	7.0	1/4	27.1	258	3	12
C2FB92*	\$14,178	92"	4	16" W	585#	7.0	1/4	28.8	305	N/A	13
C2FB108*	\$14,582	108"	4	20" W	605#	7.0	1/4	36.8	360	5	18 †

Base price only. See next page for configurable options.

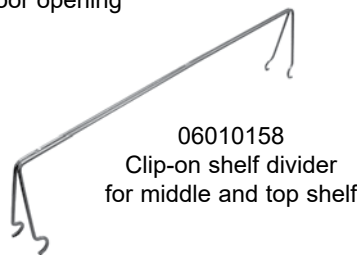
**Wine bottle capacity is based on adjustable shelves. Drawers will hold less.

† If CO₂ tank is stored internally, reduce capacity by one keg

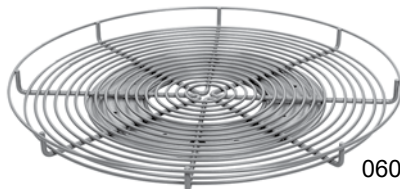
Bar Refrigeration



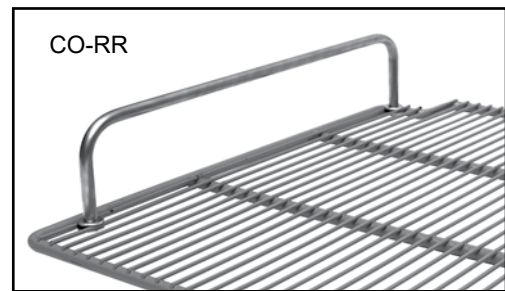
CWS-20
Wine rack shelf for 20" door opening



06010158
Clip-on shelf divider for middle and top shelf



06009785



CO-RR

The CO-RR shelf retention rail should be used on all shelves adjacent to drawers and/or kegs. (CO-RR shown installed on shelf)

In a typical cooler, only the front row of bottles is easy to access. Glastender's rotary wine shelf increases access by 270% (16 vs. 6 bottles).

The rotary wine shelf is for use with C2FB60, C2FB84, and C2FB108 model coolers. Two rotary shelves can be used behind each 20" cooler door opening, where they sit on two standard cooler shelves. Each rotary shelf holds up to 29 wine bottles (750ml).

ACCESSORIES

MODEL	DESCRIPTION	LIST
06009785	Rotary wine shelf (20" door opening ONLY)	\$284
CO-RR	Shelf retention rail	\$73
CWS-16	Wine rack shelf for 16" door opening, 5 bottle	\$171
CWS-20	Wine rack shelf for 20" door opening, 7 bottle	\$193
06010158	Clip-on shelf divider for middle and top shelf	\$45
06006013	Clip-on shelf divider for bottom shelf only	\$45

Draft Beverage Compatible



*NOTE: C2FB coolers are manufactured to order and are not returnable.

Select Configurable Options:

VOLTAGE

120V/60HZ	No charge
220V/50HZ (export voltage)	\$290

TEMPERATURE

Beer/White wine - 34° to 40°/ 50° to 55°	No charge
Beer/Red wine - 34° to 40°/ 60° to 65°	No charge
White/Red wine - 50° to 55°/ 60° to 65°	No charge

REFRIGERATION COMPARTMENT LOCATION

Left	No charge
Right	No charge

REFRIGERATION COMPARTMENT COVER FINISH

Black vinyl-clad	No charge
Unlaminated	No charge
Stainless steel	\$37
Jeweled stainless steel	\$219
Laminated	\$255

DOOR/DRAWER OPTIONS

NOTE: Select options for EACH Door/Drawer Section

STYLE AND FINISH - PER SECTION

Door - Black vinyl-clad	No charge
Door - Unlaminated	No charge
Door - Stainless steel	\$45
Door - Jeweled stainless	\$238
Door - Laminated	\$272
Door - Glass, black vinyl-clad	\$527
Door - Glass, stainless steel	\$572
Door - Glass, jeweled stainless	\$765
Door - Glass, laminated	\$799
Drawers - Black vinyl-clad	\$2,183
Drawers - Unlaminated	\$2,183
Drawers - Stainless steel	\$2,228
Drawers - Jeweled stainless	\$2,421
Drawers - Laminated	\$2,455

DOOR HINGE LOCATION - PER DOOR

Left	No charge
Right	No charge

SHELVING - PER DOOR

Three adjustable shelves	No charge
Keg rack (deduct shelves)	(\$99)
Pull-out wine shelves:	
• w/upright & horizontal storage	\$2,414
• w/upright storage	\$1,611
• w/horizontal storage*	\$3,018

*NOTE: Not available for door next to compressor compartment

DOOR HANDLE - PER DOOR

Signature handle (doors only)	No charge
Pull-tab handle - stainless or black to match door/drawer; black for laminate	No charge
Tube handle	No charge



Optional pull-out wine shelves Horizontal (left) and upright (right) storage shown



TOP STYLE

	<u>52"</u>	<u>60"</u>	<u>72"</u>	<u>84"</u>	<u>92"</u>	<u>108"</u>
No finished top	No charge					
Stainless top	\$593	\$644	\$721	\$798	\$849	\$954

LEFT SIDE FINISH

Black vinyl-clad	No charge
Stainless Steel	\$45

RIGHT SIDE FINISH

Black vinyl-clad	No charge
Stainless Steel	\$45

BACK FINISH

	<u>52"</u>	<u>60"</u>	<u>72"</u>	<u>84"</u>	<u>92"</u>	<u>108"</u>
Galvanized steel	No charge					
Stainless steel*	\$434	\$460	\$498	\$536	\$564	\$615

*NOTE: Stainless steel back option also includes stainless steel sides.

LED LIGHTING STYLE

Bright white (7,000k), standard	No charge
Warm white (3,500k)	No charge
Amber (2,700k)	No charge
Blue	No charge

LEG AND STAINLESS STEEL KICK RAILS

NOTE: Legs are required if kick rails are ordered.

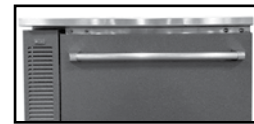
	<u>52"</u>	<u>60"</u>	<u>72"</u>	<u>84"</u>	<u>92"</u>	<u>108"</u>
6" legs	\$192	\$192	\$288	\$288	\$288	\$288
Front kick rail	\$153	\$163	\$179	\$192	\$203	\$220
Left side kick rail	\$120	\$120	\$120	\$120	\$120	\$120
Right side kick rail	\$120	\$120	\$120	\$120	\$120	\$120

CASTERS

	<u>52"</u>	<u>60"</u>	<u>72"</u>	<u>84"</u>	<u>92"</u>	<u>108"</u>
4-1/8" casters	\$172	\$172	\$259	\$259	\$259	\$259
2-7/8" casters	\$166	\$166	\$249	\$249	\$249	\$249



Drawer pull-tab handle



Drawer tube handle



Optional drawers include adjustable divider walls



Signature handle



Pull-tab handle



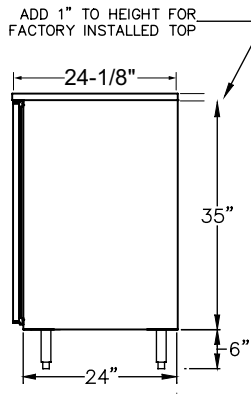
Tube handle

NOTE: All coolers with drawers are manufactured to order and are not returnable.

Bar Refrigeration



C1RB48 with refrigeration hook up right, stainless doors, and stainless top



Side Elevation



PRODUCT INFORMATION

(see C1RB Spec Sheet for complete details)

STANDARD FEATURES:

- Remote unit
- All stainless steel interior construction
- Draft beverage compatible - see page 82
- Listed to NSF Standard 7 for open food as a storage refrigerator

COOLERS - ONE ZONE, REMOTE, BAR PROFILE

MODEL	LIST	LENGTH	DOOR		WEIGHT	BTU /HR	LONG NECK 750ML WINE			
			DOORS	OPENING			CASES	BOTTLES	1/2 BARREL KEGS	1/6 BARREL KEGS
C1RB24	\$4,751	24" W	1	20"	175#	800	8.0	60	1	2
C1RB40*	\$6,300	40" W	2	16"	275#	1,000	12.3	126	N/A	6
C1RB48	\$6,600	48" W	2	20"	285#	1,200	16.2	152	2	7
C1RB60*	\$8,365	60" W	3	16"	390#	1,300	19.9	216	N/A	10
C1RB72	\$8,683	72" W	3	20"	405#	1,500	25.9	256	4	11
C1RB80*	\$10,634	80" W	4	16"	500#	1,600	27.7	294	N/A	14
C1RB96	\$10,973	96" W	4	20"	520#	1,900	35.7	354	5	17

Base price only. See next page for configurable options.

*C1RB40, C1RB60, AND C1RB80 are manufactured to order and are not returnable.

Bar Refrigeration



CO-RR

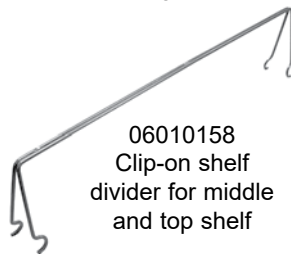
The CO-RR shelf retention rail should be used on all shelves adjacent to kegs. (CO-RR shown installed on shelf)



CWS-20 Wine rack shelf for 20" door opening



CWS-16 Wine rack shelf for 16" door opening



06010158 Clip-on shelf divider for middle and top shelf

ACCESSORIES

MODEL	DESCRIPTION	LIST
CO-RR	Shelf retention rail	\$73
CWS-16	Wine rack shelf for 16" door opening, 5 bottle	\$171
CWS-20	Wine rack shelf for 20" door opening, 7 bottle	\$193
06010158	Clip-on shelf divider for middle and top shelf	\$45
06006013	Clip-on shelf divider for bottom shelf only	\$45

ACCESSORY FOR REMOTE COOLER CABINET

MODEL	DESCRIPTION	LIST	WT
SVC	Solenoid valve and coil kit, for remote unit	\$298	6#
SVC-L	Solenoid valve and coil kit with factory installation, for remote unit	\$630	6#

Draft Beverage Compatible



*NOTE: C1RB40, C1RB60, and C1RB80 coolers are manufactured to order and are not returnable.

Select Configurable Options:

VOLTAGE

120V/60HZ	No charge
220V/50HZ (export voltage)	\$147

TEMPERATURE

Beer / Food, 34° to 40°, standard	No charge
White wine, 50° to 55°	No charge
Red wine, 60° to 65°	No charge

EXPANSION VALVE TYPE

R448A or R449A	No charge
R134a or R513A	No charge
R404A or R452A	No charge
R407A or R407F	No charge

REFRIGERATION HOOK-UP LOCATION

Left	No charge
Right	No charge

DOOR OPTIONS

NOTE: Select options for EACH Door Section

STYLE AND FINISH - PER DOOR

Door - Black vinyl-clad	No charge
Door - Unlaminated	No charge
Door - Stainless steel	\$45
Door - Jeweled stainless	\$238
Door - Laminated	\$272
Door - Glass, black vinyl-clad	\$527
Door - Glass, stainless steel	\$572
Door - Glass, jeweled stainless	\$765
Door - Glass, laminated	\$799

DOOR HINGE LOCATION - PER DOOR

Left	No charge
Right	No charge

SHELVING - PER DOOR

Three adjustable shelves	No charge
Keg rack (deduct shelving)	(\$99)
Pull-out wine shelves w/upright & horizontal storage	\$2,290

DOOR HANDLE - PER DOOR

Signature handle	No charge
Pull-tab handle - stainless or black to match door; black for laminate	No charge
Tube handle	No charge

TOP STYLE

	24"	40"	48"	60"	72"	80"	96"
No finished top	No charge						
Stainless top	\$415	\$515	\$567	\$644	\$721	\$773	\$875

LEFT SIDE FINISH

Black vinyl-clad	No charge
Stainless Steel	\$45

RIGHT SIDE FINISH

Black vinyl-clad	No charge
Stainless Steel	\$45

BACK FINISH

	24"	40"	48"	60"	72"	80"	96"
Galvanized steel	No charge						
Stainless steel*	\$344	\$393	\$421	\$460	\$498	\$524	\$575

*NOTE: Stainless steel back option also includes stainless steel sides.

LED LIGHTING STYLE

Bright white (7,000k), standard	No charge
Warm white (3,500k)	No charge
Amber (2,700k)	No charge
Blue	No charge

LEG AND STAINLESS STEEL KICK RAILS

NOTE: Legs are required if kick rails are ordered.

	24"	40"	48"	60"	72"	80"	96"
6" legs	\$192	\$192	\$192	\$288	\$288	\$288	\$288
Front kick rail	\$120	\$137	\$149	\$163	\$179	\$188	\$208
Left side kick rail	\$120	\$120	\$120	\$120	\$120	\$120	\$120
Right side kick rail	\$120	\$120	\$120	\$120	\$120	\$120	\$120



Signature handle



Pull-tab handle



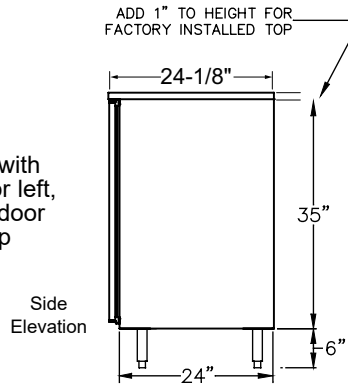
Tube handle

Optional pull-out wine shelves
Horizontal (left) and upright
(right) storage shown

Bar Refrigeration



C1SB24 with compressor left, stainless door and top



PRODUCT INFORMATION

(see C1SB Spec Sheet for complete details)

STANDARD FEATURES:

- Self-contained
- All stainless steel interior construction
- Draft beverage compatible - see page 82
- Listed to NSF Standard 7 for open food as a storage refrigerator

COOLERS - ONE ZONE, SIDE SERVICED, BAR PROFILE

MODEL	LIST	LENGTH	DOOR			WEIGHT	AMPS	HP	LONG NECK	750ML WINE	1/2 BARREL	1/6 BARREL
			DOORS	OPENING					CASES	BOTTLES**	KEGS	KEGS
C1SB20*	\$6,180	20"	1	12" W	185#	2.75	1/8	3.3	52	0	2†♠	
C1SB24	\$5,997	24"	1	17.5" W	200#	2.75	1/8	5.8	74	1	3♠	
C1SB28*	\$6,298	28"	1	20" W	220#	2.75	1/8	6.6	87	1	4†▲	
C1SB36*	\$8,380	36"	2	12" W	255#	2.75	1/8	8.9	111	N/A	5▲	
C1SB44*	\$8,744	44"	2	16" W	280#	2.75	1/8	12.0	150	N/A	7▲	
C1SB48	\$8,927	48"	2	18" W	300#	2.75	1/8	13.2	177	2	8†▲	

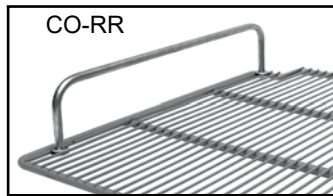
Base price only. See next page for configurable options.

** Wine bottle capacity is based on adjustable shelves. Drawers will hold fewer. NOTE: Coolers with drawers are not returnable.

*NOTE: C1SB20, C1SB28, C1SB36, and C1SB44 coolers are manufactured to order and are not returnable.

† If CO₂ tank is stored internally, reduce capacity by one keg
 ♠ Requires one 05001026 low profile Sanke keg tap - see page 82
 ▲ Requires two 05001026 low profile Sanke keg taps - see page 82

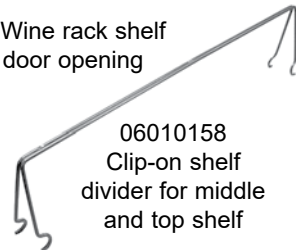
Bar Refrigeration



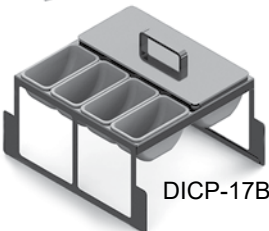
The CO-RR shelf retention rail should be used on all shelves adjacent to kegs. (CO-RR shown installed on shelf)



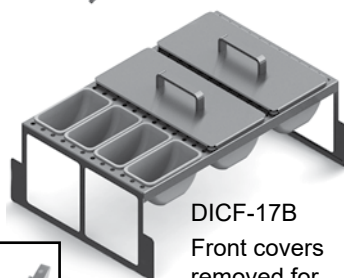
CWS-20 Wine rack shelf for 20" door opening



06010158 Clip-on shelf divider for middle and top shelf



DICF-17B



DICF-17B Front covers removed for illustrative purposes



DIP-18 Pans not included

ACCESSORIES

MODEL	DESCRIPTION	LIST
CO-RR	Shelf retention rail	\$73
CWS-12	Wine rack shelf for 12" door opening, 3 bottle	\$147
CWS-16	Wine rack shelf for 16" door opening, 5 bottle	\$171
CWS-17	Wine rack shelf for 17.5" door opening, 5 bottle	\$183
CWS-18	Wine rack shelf for 18" door opening, 5 bottle	\$185
CWS-20	Wine rack shelf for 20" door opening, 7 bottle	\$193
DICF-12B	Drawer insert, garnishes, full, 12" door opening, bar-profile cooler, 8 cups	\$458
DICP-12B	Drawer insert, garnishes, partial, 12" door opening, bar-profile cooler, 6 cups	\$369
DICF-16B	Drawer insert, garnishes, full, 16" door opening, bar-profile cooler, 12 cups	\$588
DICP-16B	Drawer insert, garnishes, partial, 16" door opening, bar-profile cooler, 8 cups	\$443
DICF-17B	Drawer insert, garnishes, full, 17.5" door opening, bar-profile cooler, 12 cups	\$591
DICP-17B	Drawer insert, garnishes, partial, 17.5" door opening, bar-profile cooler, 8 cups	\$446
DICF-18B	Drawer insert, garnishes, full, 18" door opening, bar-profile cooler, 12 cups	\$594
DICP-18B	Drawer insert, garnishes, partial, 18" door opening, bar-profile cooler, 8 cups	\$448
DICF-20B	Drawer insert, garnishes, full, 20" door opening, bar-profile cooler, 15 cups	\$692
DICP-20B	Drawer insert, garnishes, partial, 20" door opening, bar-profile cooler, 10 cups	\$512
DIP-17	Drawer insert for fractional stainless pans, 17.5" door opening (pans not included)	\$243
DIP-18	Drawer insert for fractional stainless pans, 18" door opening (pans not included)	\$249
DIP-20	Drawer insert for fractional stainless pans, 20" door opening (pans not included)	\$271
06010158	Clip-on shelf divider for middle and top shelf	\$45
06006013	Clip-on shelf divider for bottom shelf only	\$45



Draft Beverage Compatible

Select Configurable Options:

VOLTAGE

120V/60HZ	No charge
220V/50HZ (export voltage)	\$290

TEMPERATURE

Beer / Food, 34° to 40°, standard	No charge
White wine, 50° to 55°	No charge
Red wine, 60° to 65°	No charge

REFRIGERATION COMPARTMENT LOCATION

Left	No charge
Right	No charge

REFRIGERATION COMPARTMENT COVER FINISH

Black vinyl-clad	No charge
Stainless steel	\$37
Jeweled stainless steel	\$219

DOOR/DRAWER OPTIONS

NOTE: Select options for EACH Door/Drawer Section

STYLE AND FINISH - PER SECTION

Door - Black vinyl-clad	No charge
Door - Unlaminated	No charge
Door - Stainless steel	\$45
Door - Jeweled stainless	\$238
Door - Laminated	\$272
Door - Glass, black vinyl-clad	\$527
Door - Glass, stainless steel	\$572
Door - Glass, jeweled stainless	\$765
Door - Glass, laminated	\$799
Drawers* - Black vinyl-clad	\$2,183
Drawers* - Unlaminated	\$2,183
Drawers* - Stainless steel	\$2,228
Drawers* - Jeweled stainless	\$2,421
Drawers* - Laminated	\$2,455

*NOTE: Units with drawers are manufactured to order and are not returnable.

DOOR HINGE LOCATION - PER DOOR

Left	No charge
Right	No charge

SHELVING - PER DOOR

Three adjustable shelves	No charge
Keg rack (deduct shelves)	(\$99)
Pull-out wine shelves:	
• w/upright & horizontal storage*	\$2,414
• w/upright storage*	\$1,611
• w/horizontal storage*	\$3,018

*NOTE: Not available for 12" door opening models

DOOR HANDLE - PER DOOR/DRAWER

Signature handle (doors only)	No charge
Pull-tab handle - stainless or black to match door; black for laminate	No charge
Tube handle	No charge

NOTE: All coolers with drawers are manufactured to order and are not returnable.

*NOTE: C1SB20, C1SB28, C1SB36, and C1SB44 coolers are manufactured to order and are not returnable.

TOP STYLE

	20"	24"	28"	36"	44"	48"
No finished top	No charge					
Stainless top	\$389	\$415	\$439	\$490	\$542	\$567

LEFT SIDE FINISH

Black vinyl-clad	No charge
Stainless Steel	\$45

RIGHT SIDE FINISH

Black vinyl-clad	No charge
Stainless Steel	\$45

BACK FINISH

	20"	24"	28"	36"	44"	48"
Galvanized steel	No charge					
Stainless steel*	\$331	\$344	\$356	\$381	\$407	\$421

*NOTE: Stainless steel back option also includes stainless steel sides.

LED LIGHTING STYLE

Bright white (7,000k), standard	No charge
Warm white (3,500k)	No charge
Amber (2,700k)	No charge
Blue	No charge

LEG AND STAINLESS STEEL KICK RAILS

NOTE: Legs are required if kick rails are ordered.

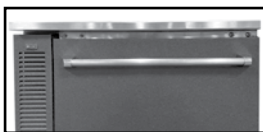
	20"	24"	28"	36"	44"	48"
6" legs	\$192	\$192	\$192	\$192	\$192	\$192
Front kick rail	\$116	\$120	\$125	\$134	\$144	\$149
Left side kick rail	\$120	\$120	\$120	\$120	\$120	\$120
Right side kick rail	\$120	\$120	\$120	\$120	\$120	\$120

CASTERS

	24"	28"	36"	44"	48"
4-1/8" casters	\$172	\$172	\$172	\$172	\$172
2-7/8" casters	\$166	\$166	\$166	\$166	\$166



Drawer pull-tab handle



Drawer tube handle



Signature handle



Pull-tab handle



Optional drawers include adjustable divider walls



Optional pull-out wine shelves
Horizontal (left) and upright (right) storage shown



Tube handle

Bar Refrigeration



C2SB48 with compressor left, stainless doors, and stainless top



PRODUCT INFORMATION

(see C2SB Spec Sheet for complete details)

STANDARD FEATURES:

- Self-contained
- All stainless steel interior construction
- Available in three different configurations: beer/white wine, beer/red wine, or white/red wine
- The warmer compartment is always a single door located opposite the compressor end
- Draft beverage compatible - see page 82
- Listed to NSF Standard 7 for closed container products

*NOTE: C2SB coolers are manufactured to order and are not returnable.

COOLERS - TWO ZONE, SIDE SERVICED, BAR PROFILE

MODEL	LIST	LENGTH	DOORS	DOOR				LONGNECK CASES	750MLWINE BOTTLES**	1/2BARREL KEGS	1/6BARREL KEGS
				OPENING	WEIGHT	AMPS	HP				
C2SB36	\$9,720	36"	2	12" W	317#	2.75	1/8	6.5	63	N/A	4† ♠
C2SB44	\$10,096	44"	2	16" W	347#	2.75	1/8	9.7	109	N/A	4 ♠
C2SB48	\$10,287	48"	2	18" W	360#	2.75	1/8	12.5	109	2	6 ♠

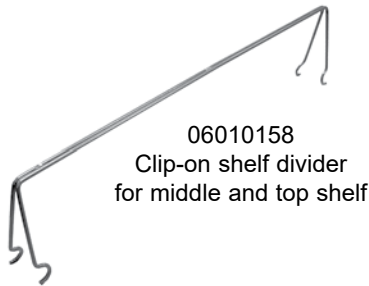
Base price only. See next page for configurable options.

**Wine bottle capacity is based on adjustable shelves. Drawers will hold fewer.

† If CO₂ tank is stored internally, reduce capacity by one keg

♠ Requires one 05001026 low profile Sanke keg tap - see page 82

Bar Refrigeration

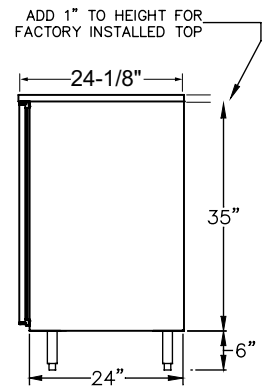


Optional drawers include adjustable divider walls

*NOTE: All coolers with drawers are manufactured to order and are not returnable.



CWS-16
Wine rack shelf for 16" door opening



Side Elevation

ACCESSORIES

MODEL	DESCRIPTION	LIST
CWS-12	Wine rack shelf for 12" door opening, 3 bottle	\$147
CWS-16	Wine rack shelf for 16" door opening, 5 bottle	\$171
CWS-18	Wine rack shelf for 18" door opening, 5 bottle	\$185
06010158	Clip-on shelf divider for middle and top shelf	\$45
06006013	Clip-on shelf divider for bottom shelf only	\$45

**Draft Beverage
Compatible**



*NOTE: C2SB coolers are manufactured to order and are not returnable.

Select Configurable Options:

VOLTAGE

120V/60HZ	No charge
220V/50HZ (export voltage)	\$290

TEMPERATURE

Beer/White wine - 34° to 40°/ 50° to 55°	No charge
Beer/Red wine - 34° to 40°/ 60° to 65°	No charge
White/Red wine - 50° to 55°/ 60° to 65°	No charge

REFRIGERATION COMPARTMENT LOCATION

Left	No charge
Right	No charge

REFRIGERATION COMPARTMENT COVER FINISH

Black vinyl-clad	No charge
Stainless steel	\$37
Jeweled stainless steel	\$219

DOOR/DRAWER OPTIONS

NOTE: Select options for EACH Door/Drawer Section

STYLE AND FINISH - PER SECTION

Door - Black vinyl-clad	No charge
Door - Unlaminated	No charge
Door - Stainless steel	\$45
Door - Jeweled stainless	\$238
Door - Laminated	\$272
Door - Glass, black vinyl-clad	\$527
Door - Glass, stainless steel	\$572
Door - Glass, jeweled stainless	\$765
Door - Glass, laminated	\$799
Drawers - Black vinyl-clad	\$2,183
Drawers - Unlaminated	\$2,183
Drawers - Stainless steel	\$2,228
Drawers - Jeweled stainless	\$2,421
Drawers - Laminated	\$2,455

DOOR HINGE LOCATION - PER DOOR

Left	No charge
Right	No charge

SHELVING - PER DOOR

Three adjustable shelves	No charge
Keg rack (deduct shelves)	(\$99)

Pull-out wine shelves:

- w/upright & horizontal storage* \$2,414
- w/upright storage* \$1,611
- w/horizontal storage* \$3,018

*NOTE: Not available for 12" door opening models

DOOR HANDLE - PER DOOR/DRAWER

Signature handle (doors only)	No charge
Pull-tab handle - stainless or black to match door; black for laminate	No charge
Tube handle	No charge



Optional pull-out wine shelves
Horizontal (left) and upright (right) storage shown



TOP STYLE

		36"	44"	48"
No finished top			No charge	
Stainless top		\$490	\$542	\$567

LEFT SIDE FINISH

Black vinyl-clad	No charge
Stainless Steel	\$45

RIGHT SIDE FINISH

Black vinyl-clad	No charge
Stainless Steel	\$45

BACK FINISH

		36"	44"	48"
Galvanized steel			No charge	
Stainless steel*		\$381	\$407	\$421

*NOTE: Stainless steel back option also includes stainless steel sides.

LED LIGHTING STYLE

Bright white (7,000k), standard	No charge
Warm white (3,500k)	No charge
Amber (2,700k)	No charge
Blue	No charge

LEG AND STAINLESS STEEL KICK RAILS

NOTE: Legs are required if kick rails are ordered.

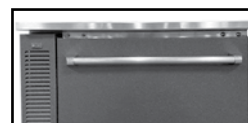
		36"	44"	48"
6" legs		\$192	\$192	\$192
Front kick rail		\$134	\$144	\$149
Left side kick rail		\$120	\$120	\$120
Right side kick rail		\$120	\$120	\$120

CASTERS

		36"	44"	48"
4-1/8" casters		\$172	\$172	\$172
2-7/8" casters		\$166	\$166	\$166



Drawer pull-tab handle



Drawer tube handle



Optional drawers include adjustable divider walls



Signature handle

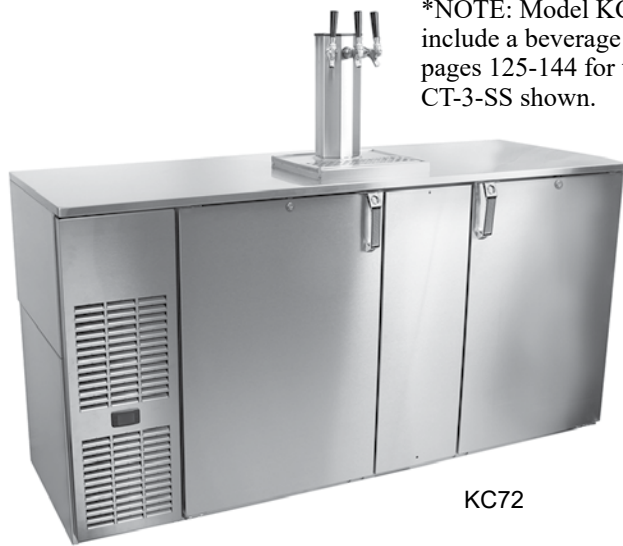


Pull-tab handle



Tube handle

Bar Refrigeration



*NOTE: Model KC72 does not include a beverage tower. See pages 125-144 for tower options. CT-3-SS shown.

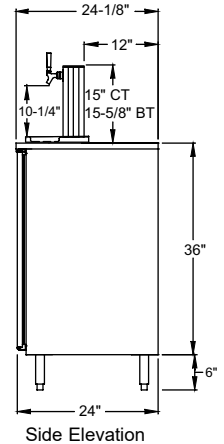


PRODUCT INFORMATION

(see KC72 Spec Sheet for complete details)

STANDARD FEATURES:

- Self-contained
- Galvanized interior construction with stainless steel floor
- Stainless steel keg racks and 1/2" thick high-impact polypropylene threshold scuff plates
- Wide center mullion provides additional storage capacity
- Listed to NSF Standard 7 for closed container products



KC72

72" KEG COOLER

MODEL	LIST	LENGTH	DOORS	DOOR			AMPS	HP	1/2 BARREL	1/4 BARREL	1/6 BARREL
				OPENING	WEIGHT	KEGS			KEGS	KEGS	
KC72*	\$9,219	72"	2	20" W	410#	7.0	1/4	3	3	11	

Base price only. See below for configurable options.

Select Configurable Options:

VOLTAGE

120V/60HZ	No charge
220V/50HZ (export voltage)	\$290

TEMPERATURE

Beer, 34° to 40°, standard	No charge
White wine, 50° to 55°	No charge
Red wine, 60° to 65°	No charge

REFRIGERATION COMPARTMENT LOCATION

Left	No charge
Right	No charge

FRONT FINISH

Black vinyl-clad	No charge
Stainless steel	\$164

DOOR OPTIONS

NOTE: Select options for EACH Door Section

DOOR HINGE LOCATION - PER DOOR

Left	No charge
Right	No charge

DOOR HANDLE - PER DOOR

Signature handle	No charge
Pull-tab handle - stainless or black to match door; black for laminate	No charge
Tube handle	No charge

TOP STYLE

No finished top	No charge
Stainless top	\$721

LEFT SIDE FINISH

Black vinyl-clad	No charge
Stainless Steel	\$45

RIGHT SIDE FINISH

Black vinyl-clad	No charge
Stainless Steel	\$45

BACK FINISH

Galvanized steel	No charge
Stainless steel*	\$498

*NOTE: Stainless steel back option also includes stainless steel sides.

LEG AND STAINLESS STEEL KICK RAILS

NOTE: Legs are required if kick rails are ordered.

6" legs	\$288
Front kick rail	\$179
Left side kick rail	\$120
Right side kick rail	\$120

CASTERS

4-1/8" casters	\$259
2-7/8" casters	\$249



Signature handle



Pull-tab handle



Tube handle



Configuring Bar Profile Coolers for Draft Beverage Dispensing

All Glastender bar profile coolers can be configured for draft beverage dispensing. Please note that a minimum 17" wide door opening is required for full size (i.e., 16" diameter) 1/2 barrel kegs. Refer to the capacity statements in the Product Directory or Specification Sheet for the sizes and quantities of kegs each unit will hold.

Direct Draw Draft Beverage Towers

Glastender Beverage Towers include the stainless steel faucets and shanks necessary to dispense keg beer, wine, soda, coffee, or cocktails. See individual price pages for complete information.

Tee Tower shown
See pages 125 - 144 for
complete information

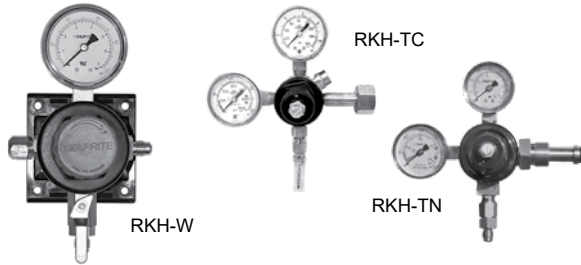
Look for the Draft Beer
Compatible logo



HIGH PRESSURE REGULATOR KITS

High pressure regulators reduce the gas pressure from the primary source. A tank mount regulator attaches directly to a gas cylinder, while a wall mount regulator splices into gas tubing when the gas supply is used for more than one system. RKH-TN regulator kits are used if pre-blended CO₂ and nitrogen or pure nitrogen cylinders are being used. All high pressure regulator kits include 50 feet of braided nylon gas tubing.

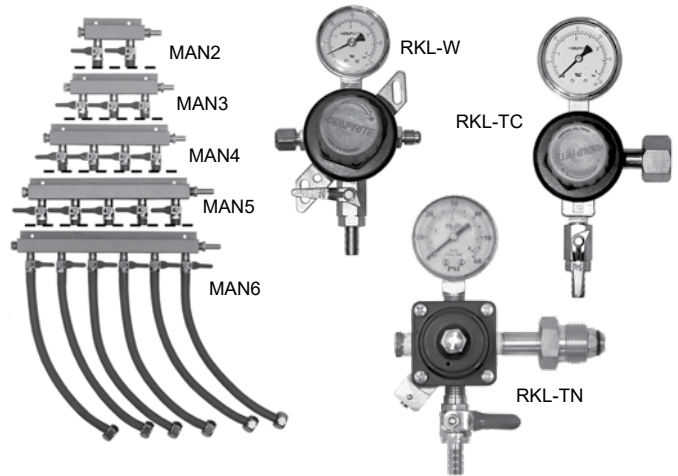
MODEL	DESCRIPTION	LIST	WGT
RKH-W	Wall mount, CO ₂ or Nitrogen, single gauge	\$350	15#
RKH-TC	Tank mount, CO ₂ , double gauge	\$300	15#
RKH-TN	Tank mount, Nitrogen, double gauge	\$406	15#



LOW PRESSURE REGULATOR KITS

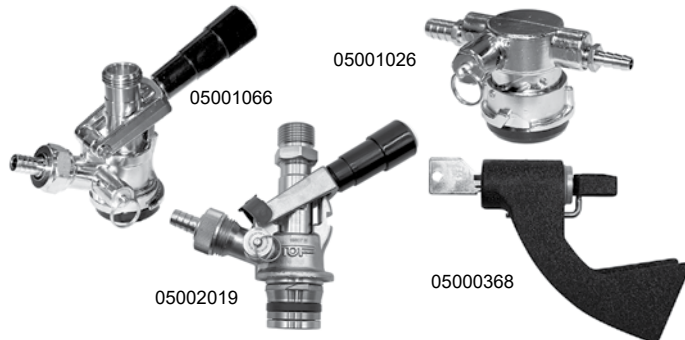
Low pressure regulator kits connect to the gas tubing exiting a high pressure regulator. If a 5 pound gas cylinder will be kept inside the cooler, a single gauge tank mounted RKL-TC or -TN will be required depending on the gas being used. All low pressure regulator kits include 6 feet of red gas tubing. For installations requiring more than one keg on tap, also order the appropriate size manifold kit. All manifold kits include 6 feet of red gas tubing per product, and the clamps required for connecting to keg couplers (sold separately).

MODEL	DESCRIPTION	LIST	WGT
RKL-W	Wall mount, CO ₂ or Nitrogen, single gauge	\$318	7#
RKL-TC	Tank mount, CO ₂ , single gauge	\$267	7#
RKL-TN	Tank mount, Nitrogen, single gauge	\$354	7#
MAN2	Two product manifold kit	\$235	2#
MAN3	Three product manifold kit	\$289	3#
MAN4	Four product manifold kit	\$355	4#
MAN5	Five product manifold kit	\$433	5#
MAN6	Six product manifold kit	\$511	6#



ADDITIONAL ACCESSORIES

MODEL	DESCRIPTION	LIST	WGT
03004240	1/2" ID black drain line, per foot	\$3.00	N/A
05000400	5/16" ID red vinyl air line, per foot	\$2.60	N/A
05000386	1/4" ID nylon braided gas tubing, per foot	\$1.35	N/A
05001066	D system keg coupler w/ss probe	\$116.00	2#
05001026	D system keg coupler, low profile	\$435.00	2#
05003763	S system keg coupler w/ss probe, for select imports	\$116.00	2#
05002019	U System Keg Coupler, stainless probe, for Guinness & Harp	\$341.00	2#
05000368	Lock for beer faucet	\$135.00	2#
05000636	5# CO ₂ tank (unfilled)	\$444.00	15#
LCK	Line cleaning kit	\$263.00	3#
06007084	Drain bottle	\$54.00	2#



Tower Cooling Kits

Direct draw beverage towers are chilled by air from inside the host cooler. This is especially important for draft beer, as warm faucets cause the beer to foam.

TOWER COOLING KITS

MODEL	DESCRIPTION	LIST	WGT
TCK12-1	For 1 & 2-door coolers w/ one tower column	\$253	3#
TCK12-2	For 1 & 2-door coolers w/ two tower columns	\$505	6#
TCK34-1	For 3 & 4-door coolers w/ one tower column	\$430	8#
TCK34-2	For 3 & 4-door coolers w/ two tower columns	\$553	11#
TCKR-1	For remote coolers w/ one tower column	\$253	3#
TCKR-2	For remote coolers w/ two tower columns	\$505	6#

Bar Refrigeration



CS1FB60 with compressor left, stainless doors and top

COOLERS - SHALLOW DEPTH, ONE ZONE, FRONT SERVICED, BAR PROFILE

MODEL	LIST	LENGTH	DOOR		WEIGHT	AMPS	HP	LONGNECK	750MLWINE
			DOORS	OPENING				CASES	BOTTLES
CS1FB52	\$8,579	52"	2	16" W	300#	3.5	1/8	8.1	77
CS1FB60	\$8,815	60"	2	20" W	325#	3.5	1/8	10.6	102
CS1FB72	\$10,202	72"	3	16" W	370#	3.5	1/8	12.8	121
CS1FB84	\$10,627	84"	3	20" W	410#	3.5	1/8	16.6	162

Base price only. See next page for configurable options.

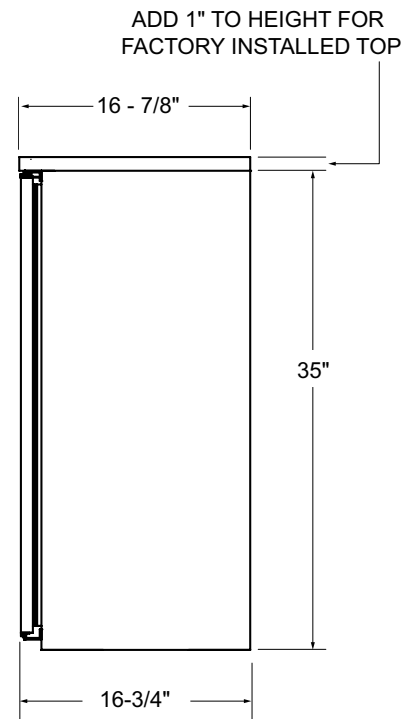
*NOTE: CS1FB units are manufactured to order and are not returnable.

PRODUCT INFORMATION

(see CS1FB Spec Sheet for complete details)

STANDARD FEATURES:

- Self contained
- All stainless steel interior construction
- Three adjustable coated shelves per door included
- Listed as NSF Standard 7 for open food as a display refrigerator



Side Elevation

*NOTE: CS1FB units are manufactured to order and are not returnable.

Select Configurable Options:

VOLTAGE

120V/60HZ	No charge
220V/50HZ (export voltage)	\$290

TEMPERATURE

Beer / Food, 34° to 40°, standard	No charge
White wine, 50° to 55°	No charge
Red wine, 60° to 65°	No charge

REFRIGERATION COMPARTMENT LOCATION

Left	No charge
Right	No charge

REFRIGERATION COMPARTMENT COVER FINISH

Black vinyl-clad	No charge
Unlaminated	No charge
Stainless steel	\$37
Jeweled stainless steel	\$219
Laminated	\$255

DOOR OPTIONS

NOTE: Select options for EACH Door Section

STYLE AND FINISH - PER SECTION

Door - Black vinyl-clad	No charge
Door - Unlaminated	No charge
Door - Stainless steel	\$45
Door - Jeweled stainless	\$238
Door - Laminated	\$272
Door - Glass, black vinyl-clad	\$527
Door - Glass, stainless steel	\$572
Door - Glass, jeweled stainless	\$765
Door - Glass, laminated	\$799

DOOR HINGE LOCATION - PER DOOR

Left	No charge
Right	No charge

DOOR HANDLE - PER DOOR

Signature handle	No charge
Pull-tab handle - stainless or black to match door; black for laminate	No charge
Tube handle	No charge

TOP STYLE

	52"	60"	72"	84"
No finished top	No charge			
Stainless top	\$593	\$644	\$721	\$798

LEFT SIDE FINISH

Black vinyl-clad	No charge			
Stainless Steel	\$45			

RIGHT SIDE FINISH

Black vinyl-clad	No charge			
Stainless Steel	\$45			

BACK FINISH

	52"	60"	72"	84"
Galvanized steel	No charge			
Stainless steel*	\$434	\$460	\$498	\$536

*NOTE: Stainless steel back option also includes stainless steel sides.

LED LIGHTING STYLE

Bright white (7,000k), standard	No charge			
Warm white (3,500k)	No charge			
Amber (2,700k)	No charge			
Blue	No charge			

LEG AND STAINLESS STEEL KICK RAILS

NOTE: Legs are required if kick rails are ordered.

	52"	60"	72"	84"
6" legs	\$192	\$192	\$288	\$288
Front kick rail	\$153	\$163	\$179	\$192
Left side kick rail	\$120	\$120	\$120	\$120
Right side kick rail	\$120	\$120	\$120	\$120

CASTERS

	52"	60"	72"	84"
4-1/8" casters	\$172	\$172	\$259	\$259
2-7/8" casters	\$166	\$166	\$249	\$249



Signature handle



Pull-tab handle



Tube handle

Bar Refrigeration



CS1RB60 with refrigeration hook up left, stainless doors and top

PRODUCT INFORMATION

(see CS1RB Spec Sheet for complete details)

STANDARD FEATURES:

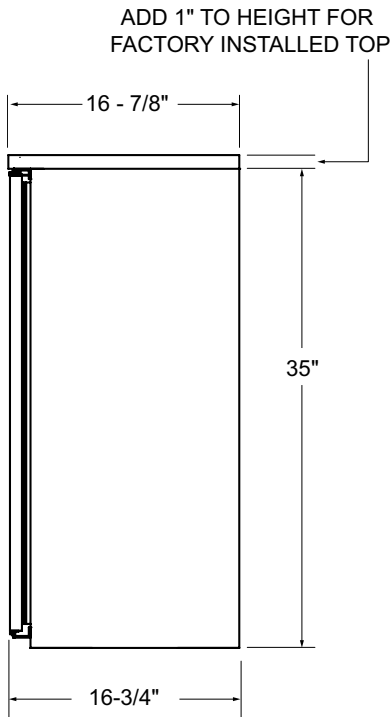
- DOE 2017 compliant
- Remote unit
- All stainless steel interior construction
- Three adjustable coated shelves per door included
- Listed to NSF Standard 7 for open food as a storage refrigerator

COOLERS - SHALLOW DEPTH, ONE ZONE, REMOTE, BAR PROFILE*

MODEL	LIST	LENGTH	DOORS	WEIGHT	BTU/HR	LONG NECK 750ML WINE	
						CASES	BOTTLES
CS1RB40*	\$6,002	40"	2	260#	1,075	7.1	66
CS1RB48*	\$6,420	48"	2	270#	1,175	8.8	86
CS1RB60*	\$7,968	60"	3	370#	1,350	11.8	110
CS1RB72*	\$8,674	72"	3	385#	1,450	14.3	146
CS1RB80*	\$10,128	80"	4	475#	1,650	16.4	152

Base price only. See next page for configurable options.

Bar Refrigeration



Side Elevation

*NOTE: CS1RB units are manufactured to order and are not returnable.

ACCESSORY FOR REMOTE COOLER CABINET

MODEL	DESCRIPTION	LIST	WT
SVC	Solenoid valve and coil kit, for remote unit	\$298	6#
SVC-L	Solenoid valve and coil kit with factory installation, for remote unit	\$630	6#

*NOTE: CS1RB units are manufactured to order and are not returnable.

Select Configurable Options:

VOLTAGE

120V/60HZ	No charge
220V/50HZ (export voltage)	\$147

TEMPERATURE

Beer / Food, 34° to 40°, standard	No charge
White wine, 50° to 55°	No charge
Red wine, 60° to 65°	No charge

EXPANSION VALVE TYPE

R448A or R449A	No charge
R134a or R513A	No charge
R404A or R452A	No charge
R407A or R407F	No charge

REFRIGERATION HOOK-UP LOCATION

Left	No charge
Right	No charge

DOOR OPTIONS

NOTE: Select options for EACH Door Section

STYLE AND FINISH - PER DOOR

Door - Black vinyl-clad	No charge
Door - Unlaminated	No charge
Door - Stainless steel	\$45
Door - Jeweled stainless	\$238
Door - Laminated	\$272
Door - Glass, black vinyl-clad	\$527
Door - Glass, stainless steel	\$572
Door - Glass, jeweled stainless	\$765
Door - Glass, laminated	\$799

DOOR HINGE LOCATION - PER DOOR

Left	No charge
Right	No charge

DOOR HANDLE - PER DOOR

Signature handle	No charge
Pull-tab handle - stainless or black to match door; black for laminate	No charge
Tube handle	No charge

TOP STYLE

	40"	48"	60"	72"	80"
No finished top	No charge				
Stainless top	\$515	\$567	\$644	\$721	\$773

LEFT SIDE FINISH

Black vinyl-clad	No charge
Stainless Steel	\$45

RIGHT SIDE FINISH

Black vinyl-clad	No charge
Stainless Steel	\$45

BACK FINISH

	40"	48"	60"	72"	80"
Galvanized steel	No charge				
Stainless steel*	\$393	\$421	\$460	\$498	\$524

*NOTE: Stainless steel back option also includes stainless steel sides.

LED LIGHTING STYLE

Bright white (7,000k), standard	No charge
Warm white (3,500k)	No charge
Amber (2,700k)	No charge
Blue	No charge

LEG AND STAINLESS STEEL KICK RAILS

NOTE: Legs are required if kick rails are ordered.

	40"	48"	60"	72"	80"
6" legs	\$192	\$192	\$288	\$288	\$288
Front kick rail	\$137	\$149	\$163	\$179	\$188
Left side kick rail	\$120	\$120	\$120	\$120	\$120
Right side kick rail	\$120	\$120	\$120	\$120	\$120



Signature handle



Pull-tab handle



Tube handle

Bar Refrigeration



C1FL60 with compressor left, and stainless doors and top

PRODUCT INFORMATION

(see C1FL Spec Sheet for complete details)

STANDARD FEATURES:

- Self-contained
- All stainless steel interior construction
- Listed to NSF Standard 7 for open food as a storage refrigerator

*NOTE: C1FL units are manufactured to order and are not returnable.

COOLERS - ONE ZONE, FRONT SERVICED, LOW PROFILE*

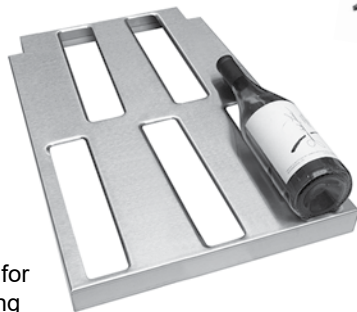
MODEL	LIST	LENGTH	DOOR				LONG NECK 750ML WINE			
			DOORS	OPENING	WEIGHT	AMPS	HP	CASES	BOTTLES	
C1FL32*	\$6,451	32"	1	16" W	220#	3.0	1/8	3.8	30	
C1FL36*	\$6,515	36"	1	20" W	235#	3.0	1/8	5.2	42	
C1FL52*	\$8,460	52"	2	16" W	300#	7.0	1/4	8.8	72	
C1FL60*	\$8,633	60"	2	20" W	320#	7.0	1/4	11.5	84	
C1FL72*	\$10,172	72"	3	16" W	390#	7.0	1/4	14.0	114	
C1FL84*	\$10,381	84"	3	20" W	420#	7.0	1/4	18.0	132	
C1FL92*	\$12,214	92"	4	16" W	550#	7.0	1/4	19.2	156	
C1FL108*	\$12,463	108"	4	20" W	570#	7.0	1/4	24.5	180	

Base price only. See next page for configurable options.

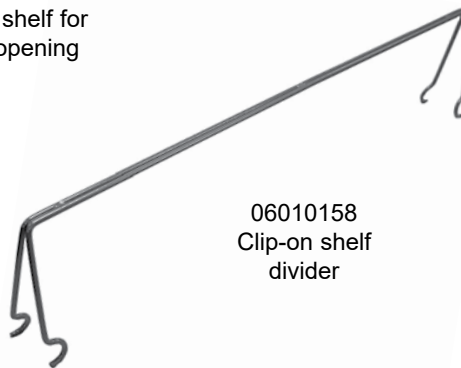
Bar Refrigeration



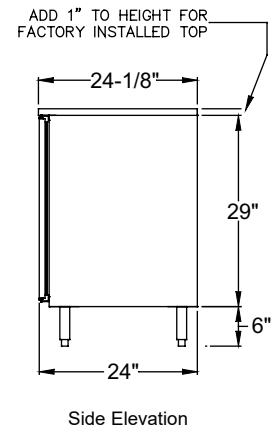
CWS-20
Wine rack shelf for 20" door opening



CWS-16
Wine rack shelf for 16" door opening



06010158
Clip-on shelf divider



ACCESSORIES

MODEL	DESCRIPTION	LIST
CWS-16	Wine rack shelf for 16" door opening, 5 bottle	\$171
CWS-20	Wine rack shelf for 20" door opening, 7 bottle	\$193
06010158	Clip-on shelf divider	\$45

*NOTE: C1FL units are manufactured to order and are not returnable.

Select Configurable Options:

VOLTAGE

120V/60HZ	No charge
220V/50HZ (export voltage)	\$290

TEMPERATURE

Beer / Food, 34° to 40°, standard	No charge
White wine, 50° to 55°	No charge
Red wine, 60° to 65°	No charge

REFRIGERATION COMPARTMENT LOCATION

Left	No charge
Right	No charge

REFRIGERATION COMPARTMENT COVER FINISH

Black vinyl-clad	No charge
Unlaminated	No charge
Stainless steel	\$37
Jeweled stainless steel	\$219
Laminated	\$255

DOOR OPTIONS

NOTE: Select options for EACH Door Section

STYLE AND FINISH - PER SECTION

Door - Black vinyl-clad	No charge
Door - Unlaminated	No charge
Door - Stainless steel	\$45
Door - Jeweled stainless	\$238
Door - Laminated	\$272
Door - Glass, black vinyl-clad	\$527
Door - Glass, stainless steel	\$572
Door - Glass, jeweled stainless	\$765
Door - Glass, laminated	\$799

DOOR HINGE LOCATION - PER DOOR

Left	No charge
Right	No charge

SHELVING - PER DOOR

Two adjustable shelves	No charge
Pull-out wine shelves:	
• w/upright and horizontal storage	\$1,982
• w/horizontal storage*	\$2,643

*Note: Not available for door next to the compressor compartment

DOOR HANDLE - PER DOOR

Signature handle	No charge
Pull-tab handle - stainless or black to match door; black for laminate	No charge
Tube handle	No charge

TOP STYLE

	32"	36"	52"	60"	72"	84"	92"	108"
No finished top	No charge							
Stainless top	\$465	\$490	\$593	\$644	\$721	\$798	\$849	\$954
Drainboard top	\$773	\$820	\$998	\$1,089	\$1,220	\$1,355	\$1,446	\$1,624

4" HIGH STAINLESS SPLASHES

	32"	36"	52"	60"	72"	84"	92"	108"
NOTE: Can only be ordered with stainless steel top								
Backsplash	\$164	\$175	\$205	\$218	\$242	\$264	\$280	\$310
Left side splash	\$152	\$152	\$152	\$152	\$152	\$152	\$152	\$152
Right side splash	\$152	\$152	\$152	\$152	\$152	\$152	\$152	\$152

LEFT SIDE FINISH

Black vinyl-clad	No charge
Stainless Steel	\$45

RIGHT SIDE FINISH

Black vinyl-clad	No charge
Stainless Steel	\$45

BACK FINISH

	32"	36"	52"	60"	72"	84"	92"	108"
Galvanized steel	No charge							
Stainless steel*	\$370	\$381	\$434	\$460	\$498	\$536	\$564	\$615

*NOTE: Stainless steel back option also includes stainless steel sides.

LED LIGHTING STYLE

Bright white (7,000k), standard	No charge
Warm white (3,500k)	No charge
Amber (2,700k)	No charge
Blue	No charge

LEG AND STAINLESS STEEL KICK RAILS

NOTE: Legs are required if kick rails are ordered.

	32"	36"	52"	60"	72"	84"	92"	108"
6" legs	\$239	\$239	\$192	\$192	\$288	\$288	\$288	\$288
Front kick rail	\$129	\$134	\$153	\$163	\$179	\$192	\$203	\$220
Left side kick rail	\$120	\$120	\$120	\$120	\$120	\$120	\$120	\$120
Right side kick rail	\$120	\$120	\$120	\$120	\$120	\$120	\$120	\$120

CASTERS

	32"	36"	52"	60"	72"	84"	92"	108"
4-1/8" casters	\$210	\$210	\$172	\$172	\$259	\$259	\$259	\$259
2-7/8" casters	\$208	\$208	\$166	\$166	\$249	\$249	\$249	\$249

Bar Refrigeration



Optional pull-out wine shelves
Horizontal (left) and upright (right) storage shown



Signature handle



Pull tab handle



Tube handle



C1RL96 with refrigeration hook up left, stainless doors and top

PRODUCT INFORMATION

(see C1RL Spec Sheets for complete details)

STANDARD FEATURES:

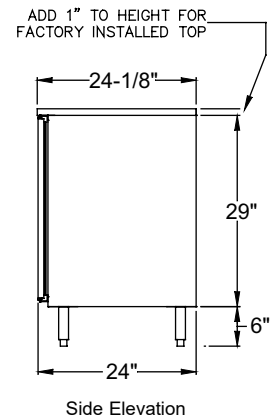
- Remote unit
- All stainless steel interior construction
- Listed to NSF Standard 7 for open food as a storage refrigerator

COOLERS - ONE ZONE, REMOTE, LOW PROFILE*

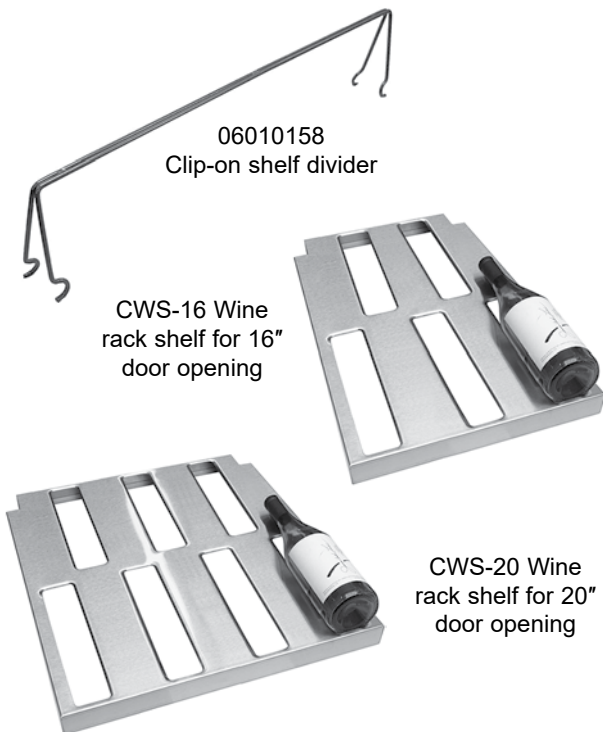
MODEL	LIST	LENGTH	DOOR			BTU /HR	LONG NECK 750ML WINE	
			DOORS	OPENING	WEIGHT		CASES	BOTTLES
C1RL24*	\$4,887	24" W	1	20"	170#	800	4.3	36
C1RL40*	\$6,053	40" W	2	16"	270#	1,000	8.2	72
C1RL48*	\$6,177	48" W	2	20"	275#	1,000	10.3	84
C1RL60*	\$8,088	60" W	3	16"	380#	1,300	12.8	120
C1RL72*	\$8,254	72" W	3	20"	390#	1,300	16.8	132
C1RL80*	\$10,035	80" W	4	16"	485#	1,600	18.0	166
C1RL96*	\$10,240	96" W	4	20"	500#	1,600	23.3	180

Base price only. See next page for configurable options.

*C1RL coolers are manufactured to order and are not returnable.



Bar Refrigeration



06010158
Clip-on shelf divider

CWS-16 Wine rack shelf for 16" door opening

CWS-20 Wine rack shelf for 20" door opening

ACCESSORIES

MODEL	DESCRIPTION	LIST
CWS-16	Wine rack shelf for 16" door opening, 5 bottle	\$171
CWS-20	Wine rack shelf for 20" door opening, 7 bottle	\$193
06010158	Clip-on shelf divider	\$45

ACCESSORY FOR REMOTE COOLER CABINET

MODEL	DESCRIPTION	LIST	WT
SVC	Solenoid valve and coil kit, for remote unit	\$298	6#
SVC-L	Solenoid valve and coil kit with factory installation, for remote unit	\$630	6#

*NOTE: C1RL coolers are manufactured to order and are not returnable.

Select Configurable Options:

VOLTAGE

120V/60HZ	No charge
220V/50HZ (export voltage)	\$147

TEMPERATURE

Beer / Food, 34° to 40°, standard	No charge
White wine, 50° to 55°	No charge
Red wine, 60° to 65°	No charge

EXPANSION VALVE TYPE

R448A or R449A	No charge
R134a or R513A	No charge
R404A or R452A	No charge
R407A or R407F	No charge

REFRIGERATION HOOK-UP LOCATION

Left	No charge
Right	No charge

DOOR OPTIONS

NOTE: Select options for EACH Door Section

STYLE AND FINISH - PER DOOR

Door - Black vinyl-clad	No charge
Door - Unlaminated	No charge
Door - Stainless steel	\$45
Door - Jeweled stainless	\$238
Door - Laminated	\$272
Door - Glass, black vinyl-clad	\$527
Door - Glass, stainless steel	\$572
Door - Glass, jeweled stainless	\$765
Door - Glass, laminated	\$799

DOOR HINGE LOCATION - PER DOOR

Left	No charge
Right	No charge

SHELVING - PER DOOR

Two adjustable shelves	No charge
Pull-out wine shelves w/upright and horizontal storage	\$1,820

DOOR HANDLE - PER DOOR

Signature handle	No charge
Pull-tab handle - stainless or black to match door; black for laminate	No charge
Tube handle	No charge

TOP STYLE

	24"	40"	48"	60"	72"	80"	96"
No finished top	No charge						
Stainless top	\$415	\$515	\$567	\$644	\$721	\$773	\$875

4" HIGH STAINLESS SPLASHES

	24"	40"	48"	60"	72"	80"	96"
NOTE: Can only be ordered with stainless steel top							
Backsplash	\$152	\$181	\$194	\$218	\$242	\$256	\$287
Left side splash	\$152	\$152	\$152	\$152	\$152	\$152	\$152
Right side splash	\$152	\$152	\$152	\$152	\$152	\$152	\$152

LEFT SIDE FINISH

Black vinyl-clad	No charge
Stainless Steel	\$45

RIGHT SIDE FINISH

Black vinyl-clad	No charge
Stainless Steel	\$45

BACK FINISH

	24"	40"	48"	60"	72"	80"	96"
Galvanized steel	No charge						
Stainless steel*	\$344	\$393	\$421	\$460	\$498	\$524	\$575

*NOTE: Stainless steel back option also includes stainless steel sides.

LED LIGHTING STYLE

Bright white (7,000k), standard	No charge
Warm white (3,500k)	No charge
Amber (2,700k)	No charge
Blue	No charge

LEG AND STAINLESS STEEL KICK RAILS

NOTE: Legs are required if kick rails are ordered.

	24"	40"	48"	60"	72"	80"	96"
6" legs	\$192	\$192	\$192	\$288	\$288	\$288	\$288
Front kick rail	\$120	\$137	\$149	\$163	\$179	\$188	\$208
Left side kick rail	\$120	\$120	\$120	\$120	\$120	\$120	\$120
Right side kick rail	\$120	\$120	\$120	\$120	\$120	\$120	\$120

Bar Refrigeration



Optional pull-out wine shelves
Horizontal (left) and upright (right) storage shown



Signature handle



Pull-tab handle



Tube handle



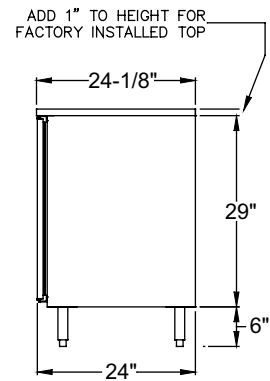
C1SL48
with compressor left,
stainless doors and top

PRODUCT INFORMATION

(see C1SL Spec Sheet for complete details)

STANDARD FEATURES:

- Self-contained
- All stainless steel interior construction
- Listed to NSF Standard 7 for open food as a storage refrigerator



Side Elevation

COOLERS - ONE ZONE, SIDE SERVICED, LOW PROFILE

MODEL	LIST	LENGTH	DOOR		WEIGHT	AMPS	HP	LONG NECK 750ML WINE	
			DOORS	OPENING				CASES	BOTTLES**
C1SL20	\$6,012	20"	1	12" W	165#	2.75	1/8	2.8	28
C1SL24	\$5,829	24"	1	17.5" W	180#	2.75	1/8	4.5	36
C1SL28	\$6,050	28"	1	20" W	195#	2.75	1/8	5.1	42
C1SL36	\$7,890	36"	2	12" W	230#	2.75	1/8	6.9	54
C1SL44	\$8,206	44"	2	16" W	255#	2.75	1/8	8.9	72
C1SL48	\$8,365	48"	2	18" W	280#	2.75	1/8	10.3	84

**Wine bottle capacity is based on adjustable shelves. Drawers are not intended for upright storage of wine bottles.

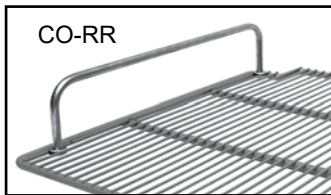
*NOTE: C1SL units are manufactured to order and are not returnable.

Base price only. See next page for configurable options.

ACCESSORIES

MODEL	DESCRIPTION	LIST
CO-RR	Shelf retention rail	\$73
CWS-12	Wine rack shelf for 12" door opening, 3 bottle	\$147
CWS-16	Wine rack shelf for 16" door opening, 5 bottle	\$171
CWS-17	Wine rack shelf for 17.5" door opening, 5 bottle	\$183
CWS-18	Wine rack shelf for 18" door opening, 5 bottle	\$185
CWS-20	Wine rack shelf for 20" door opening, 7 bottle	\$193
DICF-12L	Drawer insert, garnishes, full, 12" door opening, low-profile cooler, 6 cups	\$364
DICP-12L	Drawer insert, garnishes, partial, 12" door opening, low-profile cooler, 4 cups	\$274
DICF-16L	Drawer insert, garnishes, full, 16" door opening, low-profile cooler, 12 cups	\$536
DICP-16L	Drawer insert, garnishes, partial, 16" door opening, low-profile cooler, 8 cups	\$389
DICF-17L	Drawer insert, garnishes, full, 17.5" door opening, low-profile cooler, 12 cups	\$540
DICP-17L	Drawer insert, garnishes, partial, 17.5" door opening, low-profile cooler, 8 cups	\$391
DICF-18L	Drawer insert, garnishes, full, 18" door opening, low-profile cooler, 12 cups	\$545
DICP-18L	Drawer insert, garnishes, partial, 18" door opening, low-profile cooler, 8 cups	\$393
DICF-20L	Drawer insert, garnishes, full, 20" door opening, low-profile cooler, 15 cups	\$630
DICP-20L	Drawer insert, garnishes, partial, 20" door opening, low-profile cooler, 10 cups	\$450
DIP-17	Drawer insert for fractional stainless pans, 17.5" door opening (pans not included)	\$243
DIP-18	Drawer insert for fractional stainless pans, 18" door opening (pans not included)	\$249
DIP-20	Drawer insert for fractional stainless pans, 20" door opening (pans not included)	\$271
06010158	Clip-on shelf divider	\$45

Bar Refrigeration

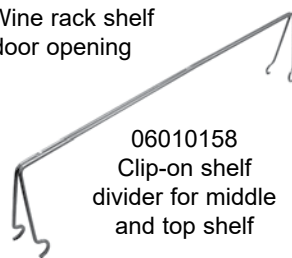


CO-RR

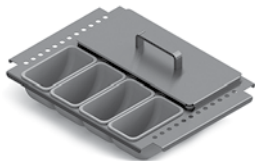
The CO-RR shelf retention rail should be used on all shelves adjacent to kegs. (CO-RR shown installed on shelf)



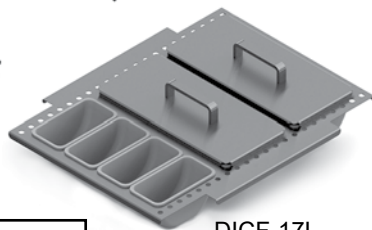
CWS-20 Wine rack shelf for 20" door opening



06010158
Clip-on shelf divider for middle and top shelf



DICP-17L



DICF-17L
Front covers removed for illustrative purposes



DIP-18
Pans not included

Select Configurable Options:

VOLTAGE

120V/60HZ	No charge
220V/50HZ (export voltage)	\$290

TEMPERATURE

Beer / Food, 34° to 40°, standard	No charge
White wine, 50° to 55°	No charge
Red wine, 60° to 65°	No charge

REFRIGERATION COMPARTMENT LOCATION

Left	No charge
Right	No charge

REFRIGERATION COMPARTMENT COVER FINISH

Black vinyl-clad	No charge
Stainless steel	\$37
Jeweled stainless steel	\$219

DOOR/DRAWER OPTIONS

NOTE: Select options for EACH Door/Drawer Section

STYLE AND FINISH - PER SECTION

Door - Black vinyl-clad	No charge
Door - Unlaminated	No charge
Door - Stainless steel	\$45
Door - Jeweled stainless	\$238
Door - Laminated	\$272
Door - Glass, black vinyl-clad	\$527
Door - Glass, stainless steel	\$572
Door - Glass, jeweled stainless	\$765
Door - Glass, laminated	\$799
Drawers - Black vinyl-clad	\$2,183
Drawers - Unlaminated	\$2,183
Drawers - Stainless steel	\$2,228
Drawers - Jeweled stainless	\$2,421
Drawers - Laminated	\$2,455

DOOR HINGE LOCATION - PER DOOR

Left	No charge
Right	No charge

SHELVING - PER DOOR

Two adjustable shelves	No charge
Pull-out wine shelves:	
• w/upright and horizontal storage*	\$1,982
• w/horizontal storage*	\$2,643

*Note: Not available for 12" door opening models

DOOR HANDLE - PER DOOR/DRAWER

Signature handle (doors only)	No charge
Pull-tab handle - stainless or black to match door; black for laminate	No charge
Tube handle	No charge

*NOTE: C1SL units are manufactured to order and are not returnable.



Optional pull-out wine shelves Horizontal (left) and upright (right) storage shown



TOP STYLE

	20"	24"	28"	36"	44"	48"
No finished top	No charge					
Stainless top	\$389	\$415	\$439	\$490	\$542	\$567
Drainboard top	\$639	\$684	\$728	\$820	\$908	\$954

4" HIGH STAINLESS SPLASHES

	20"	24"	28"	36"	44"	48"
NOTE: Can only be ordered with stainless steel top						
Backsplash	\$147	\$152	\$160	\$175	\$189	\$194
Left side splash	\$152	\$152	\$152	\$152	\$152	\$152
Right side splash	\$152	\$152	\$152	\$152	\$152	\$152

LEFT SIDE FINISH

Black vinyl-clad	No charge
Stainless Steel	\$45

RIGHT SIDE FINISH

Black vinyl-clad	No charge
Stainless Steel	\$45

BACK FINISH

	20"	24"	28"	36"	44"	48"
Galvanized steel	No charge					
Stainless steel*	\$331	\$344	\$356	\$381	\$407	\$421

*NOTE: Stainless steel back option also includes stainless steel sides.

LED LIGHTING STYLE

Bright white (7,000k), standard	No charge
Warm white (3,500k)	No charge
Amber (2,700k)	No charge
Blue	No charge

LEG AND STAINLESS STEEL KICK RAILS

NOTE: Legs are required if kick rails are ordered.

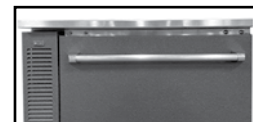
	20"	24"	28"	36"	44"	48"
6" legs	\$192	\$192	\$192	\$192	\$192	\$192
Front kick rail	\$116	\$120	\$125	\$134	\$144	\$149
Left side kick rail	\$120	\$120	\$120	\$120	\$120	\$120
Right side kick rail	\$120	\$120	\$120	\$120	\$120	\$120

CASTERS

	20"	24"	28"	36"	44"	48"
4-1/8" casters	\$172	\$172	\$172	\$172	\$172	\$172
2-7/8" casters	\$166	\$166	\$166	\$166	\$166	\$166



Drawer pull-tab handle



Drawer tube handle



Tube handle



Optional drawers include adjustable divider walls



Signature handle



Pull-tab handle



C1TH24F
with glass door
and adjustable shelves

PRODUCT INFORMATION

(see C1TH24F Spec Sheet for complete details)

STANDARD FEATURES:

- Self-contained
- All stainless steel interior construction
- Tube handle
- Listed to NSF Standard 7 for open food as a storage refrigerator

COOLERS - HIGH PROFILE - FULL DOOR

LIST	LENGTH	DOOR	DOOR OPENING	WEIGHT	AMPS	HP
\$9,725**	24"	1	20" W	350#	3.0	1/6

*High profile coolers are made to order and are not returnable
**Base price only. See below for configurable options

CAPACITIES

12 oz. bottles, cases	14.7
750ml wine bottles	132
750ml wine bottles (horizontal pull-out)	104

Select Configurable Options:

VOLTAGE

120V/60HZ	No charge
220V/50HZ (export voltage)	\$290

TEMPERATURE

Beer / Food, 34° to 40°, standard	No charge
White wine, 50° to 55°	No charge
Red wine, 60° to 65°	No charge

REFRIGERATION COMPARTMENT FINISH

Black vinyl-clad	No charge
Stainless steel	\$37

DOOR OPTION

STYLE AND FINISH

Black vinyl-clad	No charge
Unlaminated	No charge
Stainless steel	\$90
Laminated	\$544
Glass, black vinyl-clad	\$1,054
Glass, stainless steel	\$1,144
Glass, laminated	\$1,598

DOOR HINGE LOCATION

Left	No charge
Right	No charge

SHELVING

Adjustable, coated-wire shelves	No charge
Horizontal, pull-out wine shelves	\$6,412

LEFT AND RIGHT SIDE FINISH

Black vinyl-clad	No charge
Stainless Steel	\$180

BACK FINISH

Galvanized steel	No charge
Stainless steel*	\$511

*NOTE: Stainless steel back option also includes stainless steel sides.

LED LIGHTING STYLE

Bright white (7,000k), standard	No charge
Warm white (3,500k)	No charge
Amber (2,700k)	No charge
Blue	No charge

LEG AND STAINLESS STEEL KICK RAILS

NOTE: Legs are required if kick rails are ordered.

6" legs	\$192
Front kick rail	\$120
Left side kick rail	\$120
Right side kick rail	\$120

CASTERS

4-1/8" casters	\$172
2-7/8" casters	\$166



C1TH24H
with glass doors and
wine shelves

HIGH PROFILE - ONE ZONE - TWO HALF HEIGHT DOORS

LIST	LENGTH	DOOR		WEIGHT	AMPS	HP
		DOOR	OPENING			
\$9,725**	24"	2	20" W	350#	3.0	1/6

*High profile coolers are made to order and are not returnable
**Base price only. See below for configurable options

PRODUCT INFORMATION

(see C1TH24H Spec Sheet for complete details)

STANDARD FEATURES:

- Self-contained
- All stainless steel interior construction
- Tube handle
- Listed to NSF Standard 7 for open food as a storage refrigerator

CAPACITIES

	Upper	Lower
12 oz. bottles, cases	6.7	8
750ml wine bottles	60	72
750ml wine bottles (horizontal pull-out)	48	48

Select Configurable Options:

VOLTAGE

120V/60HZ	No charge
220V/50HZ (export voltage)	\$290

TEMPERATURE

Beer / Food, 34° to 40°, standard	No charge
White wine, 50° to 55°	No charge
Red wine, 60° to 65°	No charge

REFRIGERATION COMPARTMENT FINISH

Black vinyl-clad	No charge
Stainless steel	\$37

DOOR/DRAWER OPTION

STYLE AND FINISH - PER SECTION

Door - Black vinyl-clad	No charge
Door - Unlaminated	No charge
Door - Stainless steel	\$45
Door - Laminated	\$272
Door - Glass, black vinyl-clad	\$527
Door - Glass, stainless steel	\$572
Door - Glass, laminated	\$799
Drawers* - Black vinyl-clad	\$2,183
Drawers* - Unlaminated	\$2,183
Drawers* - Stainless steel	\$2,228
Drawers* - Laminated	\$2,455

*NOTE: Drawers are for lower section only

DOOR HINGE LOCATION

Left	No charge
Right	No charge

SHELVING - PER SECTION

Adjustable, coated-wire shelves	No charge
Horizontal, pull-out wine shelves (upper)	\$3,018
Horizontal, pull-out wine shelves (lower)	\$3,018

LEFT AND RIGHT SIDE FINISH

Black vinyl-clad	No charge
Stainless Steel	\$180

BACK FINISH

Galvanized steel	No charge
Stainless steel*	\$511

*NOTE: Stainless steel back option also includes stainless steel sides.

LED LIGHTING STYLE

Bright white (7,000k), standard	No charge
Warm white (3,500k)	No charge
Amber (2,700k)	No charge
Blue	No charge

LEG AND STAINLESS STEEL KICK RAILS

NOTE: Legs are required if kick rails are ordered.

6" legs	\$192
Front kick rail	\$120
Left side kick rail	\$120
Right side kick rail	\$120

CASTERS

4-1/8" casters	\$172
2-7/8" casters	\$166

Bar Refrigeration



C2TH24H
with glass doors
and adjustable shelves

PRODUCT INFORMATION
(see C2TH24H Spec Sheet for complete details)

STANDARD FEATURES:

- Self-contained
- All stainless steel interior construction
- Tube handle
- Listed to NSF Standard 7 for open food as a storage refrigerator

HIGH PROFILE - TWO ZONE - TWO HALF HEIGHT DOORS

LIST	LENGTH	DOOR	DOOR OPENING	WEIGHT	AMPS	HP
\$11,241**	74"	2	20" W	360#	3.0	1/6

*High profile coolers are made to order and are not returnable

**Base price only. See below for configurable options

CAPACITIES

	Upper	Lower
12 oz. bottles, cases	7.3	
750ml wine bottles	66	
750ml wine bottles (horizontal pull-out)	40	
12 oz. bottles, cases		N/A
750ml wine bottles		72
750ml wine bottles (horizontal pull-out)		48

Bar Refrigeration

Select Configurable Options:

VOLTAGE

120V/60HZ	No charge
220V/50HZ (export voltage)	\$290

TEMPERATURE

Beer / Food, 34° to 40°, standard	No charge
White wine, 50° to 55°	No charge
Red wine, 60° to 65°	No charge

REFRIGERATION COMPARTMENT FINISH

Black vinyl-clad	No charge
Stainless steel	\$37

DOOR/DRAWER OPTION

STYLE AND FINISH - PER SECTION

Door - Black vinyl-clad	No charge
Door - Unlaminated	No charge
Door - Stainless steel	\$45
Door - Laminated	\$272
Door - Glass, black vinyl-clad	\$527
Door - Glass, stainless steel	\$572
Door - Glass, laminated	\$799
Drawers* - Black vinyl-clad	\$2,183
Drawers* - Unlaminated	\$2,183
Drawers* - Stainless steel	\$2,228
Drawers* - Laminated	\$2,455

*NOTE: Drawers are for lower section only

DOOR HINGE LOCATION

Left	No charge
Right	No charge

SHELVING - PER SECTION

Adjustable, coated-wire shelves	No charge
Horizontal, pull-out wine shelves (upper)	\$2,643
Horizontal, pull-out wine shelves (lower)	\$3,018

LEFT AND RIGHT SIDE FINISH

Black vinyl-clad	No charge
Stainless Steel	\$180

BACK FINISH

Galvanized steel	No charge
Stainless steel*	\$511

*NOTE: Stainless steel back option also includes stainless steel sides.

LED LIGHTING STYLE

Bright white (7,000k), standard	No charge
Warm white (3,500k)	No charge
Amber (2,700k)	No charge
Blue	No charge

LEG AND STAINLESS STEEL KICK RAILS

NOTE: Legs are required if kick rails are ordered.

6" legs	\$192
Front kick rail	\$120
Left side kick rail	\$120
Right side kick rail	\$120

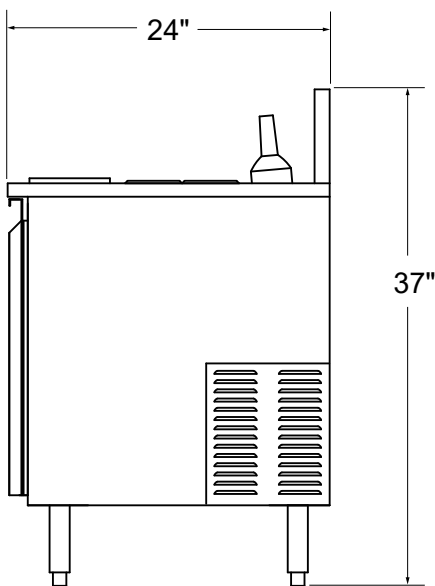
CASTERS

4-1/8" casters	\$172
2-7/8" casters	\$166



CPC24
Bottles not included

Patent Pending



Side Elevation

COCKTAIL PREP COOLER

LIST	LENGTH	WEIGHT	AMPS	HP
\$9,332	24"	186#	2.20	1/8

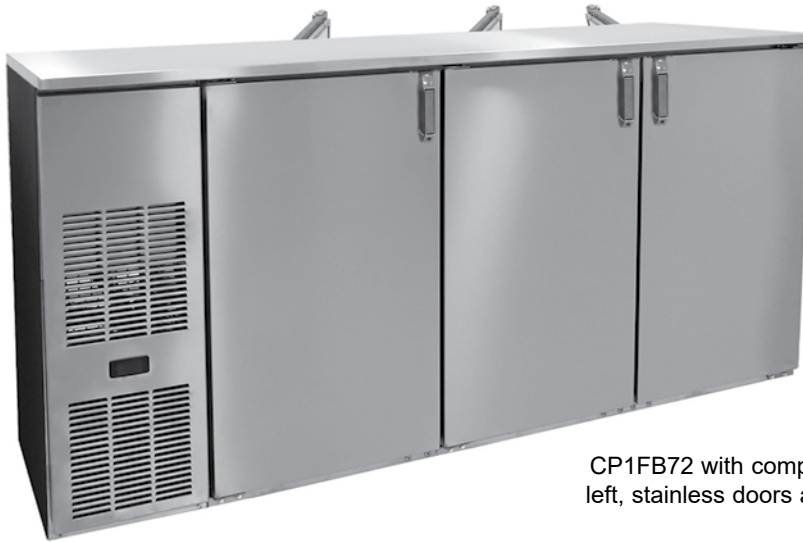
PRODUCT INFORMATION

(see CPC Spec Sheet for complete details)

STANDARD FEATURES:

- Self-contained
- Drink rail top with removable perforated insert
- Chilled garnish rail for 6 - 1/9 pans (4" deep)
- Bottle rail for 8 elixir bottles
- Removable cutting board
- Locking drawer
- Interior drawer with capacity for 6 - 1/9 pans (4" deep)
- 12 - 1/9 pans with lids included
- Insulated night cover
- Adjustable stainless steel bullet feet
- Listed to NSF Standard 7 as a refrigerated food preparation unit

Bar Refrigeration

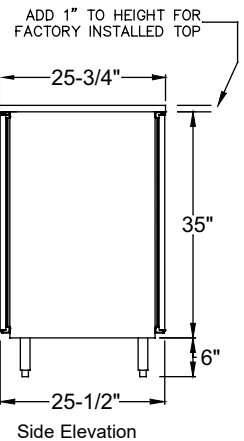


CP1FB72 with compressor left, stainless doors and top

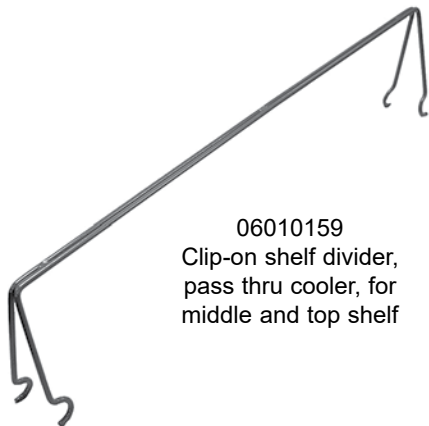
COOLERS - PASS-THRU, ONE ZONE, FRONT SERVICED, BAR PROFILE*

MODEL	LIST	LENGTH	DOOR		WEIGHT	AMPS	HP	LONGNECK	750MLWINE
			DOORS	OPENING				CASES	BOTTLES
CP1FB32*	\$8,852	32"	2	16" w	320#	3.0	1/8	6.6	67
CP1FB36*	\$8,943	36"	2	20" w	325#	3.0	1/8	8.8	79
CP1FB52*	\$11,729	52"	4	16" w	435#	7.0	1/4	14.6	129
CP1FB60*	\$12,091	60"	4	20" w	445#	7.0	1/4	19.1	177
CP1FB72*	\$15,312	72"	6	16" w	580#	7.0	1/4	23.1	209
CP1FB84*	\$15,786	84"	6	20" w	595#	7.0	1/4	29.9	271

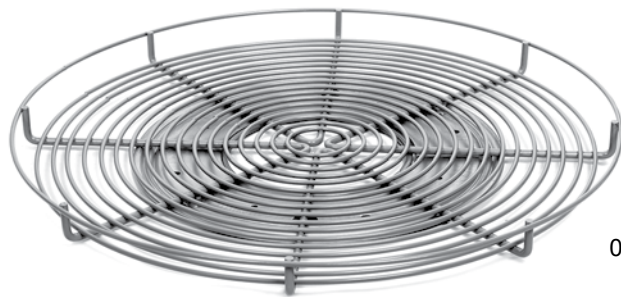
Base price only. See next page for configurable options.



*NOTE: CP1FB coolers are manufactured to order and are not returnable.



06010159
Clip-on shelf divider, pass thru cooler, for middle and top shelf



06009785

In a typical cooler, only the front row of bottles is easy to access. Glastender's rotary wine shelf increases access by 270% (16 vs. 6 bottles).

The rotary wine shelf is for use with CP1FB36, CP1FB60, and CP1FB84 model coolers. Two rotary shelves can be used behind each 20" door opening, where they sit on two standard cooler shelves. Each rotary shelf holds up to 29 wine bottles (750ml).

PRODUCT INFORMATION

(see CP1FB Spec Sheet for complete details)

STANDARD FEATURES:

- Self-contained
- All stainless steel interior construction
- Three adjustable coated shelves per section
- Listed to NSF Standard 7 for open food as a storage refrigerator

ACCESSORIES

MODEL	DESCRIPTION	LIST
06009785	Rotary wine shelf (20" door opening ONLY)	\$284
CWS-16P	Wine rack shelf for 16" door opening, 5 bottle	\$185
CWS-20P	Wine rack shelf for 20" door opening, 7 bottle	\$210
06010159	Clip-on shelf divider for middle and top shelf	\$45
06006013	Clip-on shelf divider for bottom shelf only	\$45

Select Configurable Options:

*NOTE: CP1FB coolers are manufactured to order and are not returnable.

VOLTAGE

120V/60HZ	No charge
220V/50HZ (export voltage)	\$290

TEMPERATURE

Beer / Food, 34° to 40°, standard	No charge
White wine, 50° to 55°	No charge
Red wine, 60° to 65°	No charge

REFRIGERATION COMPARTMENT LOCATION

Left	No charge
Right	No charge

REFRIGERATION COMPARTMENT COVER FINISH

NOTE: Specify and add for both the front and the back

Black vinyl-clad	No charge
Unlaminated	No charge
Stainless steel	\$37
Jeweled stainless steel	\$219
Laminated	\$255

DOOR OPTIONS

NOTE: Select options for EACH Door

STYLE AND FINISH - PER DOOR

Door - Black vinyl-clad	No charge
Door - Unlaminated	No charge
Door - Stainless steel	\$45
Door - Jeweled stainless	\$238
Door - Laminated	\$272
Door - Glass, black vinyl-clad	\$527
Door - Glass, stainless steel	\$572
Door - Glass, jeweled stainless	\$765
Door - Glass, laminated	\$799

DOOR HINGE LOCATION - PER DOOR

Left	No charge
Right	No charge

DOOR HANDLE - PER DOOR

Signature handle	No charge
Pull-tab handle - stainless or black to match door; black for laminate	No charge
Tube handle	No charge

TOP STYLE

	32"	36"	52"	60"	72"	84"
No finished top	No charge					
Stainless top	\$530	\$561	\$687	\$748	\$843	\$935

LEFT SIDE FINISH

Black vinyl-clad	No charge
Stainless Steel	\$45

RIGHT SIDE FINISH

Black vinyl-clad	No charge
Stainless Steel	\$45

LED LIGHTING STYLE

Bright white (7,000k), standard	No charge
Warm white (3,500k)	No charge
Amber (2,700k)	No charge
Blue	No charge

LEG AND STAINLESS STEEL KICK RAILS

NOTE: Legs are required if kick rails are ordered.

	32"	36"	52"	60"	72"	84"
6" legs	\$239	\$239	\$192	\$192	\$288	\$288
Front kick rail	\$129	\$134	\$153	\$163	\$179	\$192
Back kick rail	\$129	\$134	\$153	\$163	\$179	\$192
Left side kick rail	\$120	\$120	\$120	\$120	\$120	\$120
Right side kick rail	\$120	\$120	\$120	\$120	\$120	\$120

CASTERS

	32"	36"	52"	60"	72"	84"
4-1/8" casters	\$210	\$210	\$172	\$172	\$259	\$259
2-7/8" casters	\$208	\$208	\$166	\$166	\$249	\$249



Signature handle



Pull-tab handle



Tube handle

Bar Refrigeration



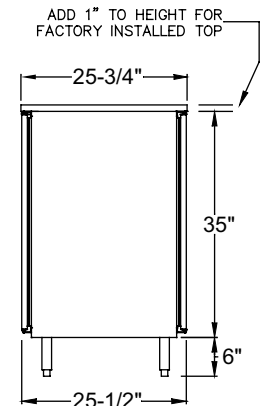
CP1RB72 with refrigeration hook up left, stainless doors and top

PRODUCT INFORMATION

(see CP1RB Spec Sheet for complete details)

STANDARD FEATURES:

- Remote unit
- All stainless steel interior construction
- Three adjustable coated shelves per section
- Listed to NSF Standard 7 for open food as a storage refrigerator



Side Elevation

COOLERS - PASS-THRU, ONE ZONE, REMOTE, BAR PROFILE*

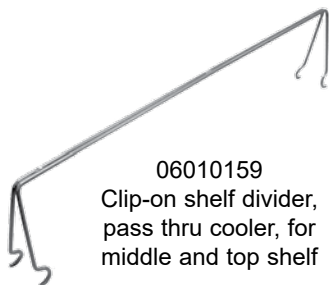
MODEL	LIST	LENGTH	DOOR		WEIGHT	BTU /HR	LONGNECK	750MLWINE
			DOORS	OPENING			CASES	BOTTLES**
CP1RB24*	\$6,354	24"	2	20"	225#	950	7.7	72
CP1RB40*	\$8,036	40"	4	16"	355#	1,600	13.1	114
CP1RB48*	\$8,288	48"	4	20"	365#	1,600	17.6	156
CP1RB60*	\$11,469	60"	6	16"	495#	2,000	21.6	194
CP1RB72*	\$11,823	72"	6	20"	510#	2,000	28.3	253

Base price only. See next page for configurable options.

***NOTE:**

CP1RB coolers are manufactured to order and are not returnable.

Bar Refrigeration



06010159
Clip-on shelf divider, pass thru cooler, for middle and top shelf

ACCESSORIES

MODEL	DESCRIPTION	LIST
CWS-16P	Wine rack shelf for 16" door opening, 5 bottles	\$185
CWS-20P	Wine rack shelf for 20" door opening, 7 bottles	\$210
06010159	Clip-on shelf divider for middle and top shelf	\$45
06006013	Clip-on shelf divider for bottom shelf only	\$45

ACCESSORY FOR REMOTE COOLER CABINET

MODEL	DESCRIPTION	LIST	WT
SVC	Solenoid valve and coil kit, for remote unit	\$298	6#
SVC-L	Solenoid valve and coil kit with factory installation, for remote unit	\$630	6#

*NOTE: CP1RB coolers are manufactured to order and are not returnable.

Select Configurable Options:

VOLTAGE		TOP STYLE					
120V/60HZ	No charge		<u>24"</u>	<u>40"</u>	<u>48"</u>	<u>60"</u>	<u>72"</u>
220V/50HZ (export voltage)	\$147	No finished top	No charge				
TEMPERATURE		Stainless top	\$467	\$593	\$655	\$748	\$843
Beer / Food, 34° to 40°, standard		LEFT SIDE FINISH					
White wine, 50° to 55°		Black vinyl-clad				No charge	
Red wine, 60° to 65°		Stainless Steel				\$45	
EXPANSION VALVE TYPE		RIGHT SIDE FINISH					
R448A or R449A	No charge	Black vinyl-clad				No charge	
R134a or R513A	No charge	Stainless Steel				\$45	
R404A or R452A	No charge	LED LIGHTING STYLE					
R407A or R407F	No charge	Bright white (7,000k), standard				No charge	
REFRIGERATION HOOK-UP LOCATION		Warm white (3,500k)				No charge	
Left	No charge	Amber (2,700k)				No charge	
Right	No charge	Blue				No charge	
DOOR OPTIONS		LEG AND STAINLESS STEEL KICK RAILS					
NOTE: Select options for EACH Door Section		NOTE: Legs are required if kick rails are ordered.					
STYLE AND FINISH - PER DOOR			<u>24"</u>	<u>40"</u>	<u>48"</u>	<u>60"</u>	<u>72"</u>
Door - Black vinyl-clad	No charge	6" legs	\$192	\$192	\$192	\$288	\$288
Door - Unlaminated	No charge	Front kick rail	\$120	\$137	\$149	\$163	\$179
Door - Stainless steel	\$45	Back kick rail	\$120	\$137	\$149	\$163	\$179
Door - Jeweled stainless	\$238	Left side kick rail	\$120	\$120	\$120	\$120	\$120
Door - Laminated	\$272	Right side kick rail	\$120	\$120	\$120	\$120	\$120
Door - Glass, black vinyl-clad	\$527						
Door - Glass, stainless steel	\$572						
Door - Glass, jeweled stainless	\$765						
Door - Glass, laminated	\$799						
DOOR HINGE LOCATION - PER DOOR							
Left	No charge						
Right	No charge						
DOOR HANDLE - PER DOOR							
Signature handle	No charge						
Pull-tab handle - stainless or black to match door; black for laminate	No charge						
Tube handle	No charge						



Signature handle



Pull-tab handle



Tube handle

Bar Refrigeration



CP1FL84 with compressor left, stainless doors and top

COOLERS - PASS-THRU, ONE ZONE, FRONT SERVICED, LOW PROFILE*

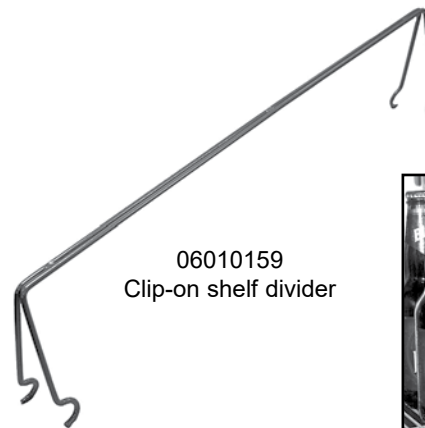
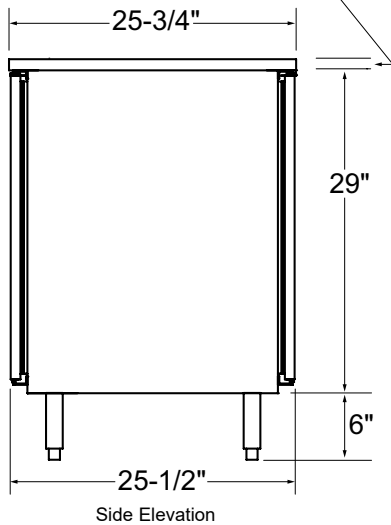
MODEL	LIST	LENGTH	DOOR		WEIGHT	AMPS	HP	LONGNECK CASES	750ML WINE BOTTLES
			DOORS	OPENING					
CP1FL32*	\$8,584	32"	2	16" W	315#	3.0	1/8	4.4	35
CP1FL36*	\$8,674	36"	2	20" W	320#	3.0	1/8	5.8	42
CP1FL52*	\$11,246	52"	4	16" W	425#	7.0	1/4	9.7	66
CP1FL60*	\$11,489	60"	4	20" W	435#	7.0	1/4	12.7	90
CP1FL72*	\$14,679	72"	6	16" W	565#	7.0	1/4	15.4	106
CP1FL84*	\$14,997	84"	6	20" W	580#	7.0	1/4	19.9	137

Base price only. See next page for configurable options.

*NOTE: CPIFL units are manufactured to order and are not returnable.

Bar Refrigeration

ADD 1" TO HEIGHT FOR FACTORY INSTALLED TOP



06010159
Clip-on shelf divider



PRODUCT INFORMATION

(see CPIFL Spec Sheet for complete details)

STANDARD FEATURES:

- Self-contained
- All stainless steel interior construction
- Two adjustable coated shelves per section
- Listed to NSF Standard 7 for open food as a storage refrigerator

ACCESSORIES

MODEL	DESCRIPTION	LIST
CWS-16P	Wine rack shelf for 16" door opening, 5 bottle	\$185
CWS-20P	Wine rack shelf for 20" door opening, 7 bottle	\$210
06010159	Clip-on shelf divider	\$45

*NOTE: CP1FL units are manufactured to order and are not returnable.

Select Configurable Options:

VOLTAGE

120V/60HZ	No charge
220V/50HZ (export voltage)	\$290

TEMPERATURE

Beer / Food, 34° to 40°, standard	No charge
White wine, 50° to 55°	No charge
Red wine, 60° to 65°	No charge

REFRIGERATION COMPARTMENT LOCATION

Left	No charge
Right	No charge

REFRIGERATION COMPARTMENT COVER FINISH

NOTE: Specify and add for both the front and the back

Black vinyl-clad	No charge
Unlaminated	No charge
Stainless steel	\$37
Jeweled stainless steel	\$219
Laminated	\$255

DOOR OPTIONS

NOTE: Select options for EACH Door Section

STYLE AND FINISH - PER SECTION

Door - Black vinyl-clad	No charge
Door - Unlaminated	No charge
Door - Stainless steel	\$45
Door - Jeweled stainless	\$238
Door - Laminated	\$272
Door - Glass, black vinyl-clad	\$527
Door - Glass, stainless steel	\$572
Door - Glass, jeweled stainless	\$765
Door - Glass, laminated	\$799

DOOR HINGE LOCATION - PER DOOR

Left	No charge
Right	No charge

DOOR HANDLE - PER DOOR

Signature handle	No charge
Pull-tab handle - stainless or black to match door; black for laminate	No charge
Tube handle	No charge

TOP STYLE

	32"	36"	52"	60"	72"	84"
No finished top	No charge					
Stainless top	\$530	\$561	\$687	\$748	\$843	\$935

LEFT SIDE FINISH

Black vinyl-clad	No charge
Stainless Steel	\$45

RIGHT SIDE FINISH

Black vinyl-clad	No charge
Stainless Steel	\$45

LED LIGHTING STYLE

Bright white (7,000k), standard	No charge
Warm white (3,500k)	No charge
Amber (2,700k)	No charge
Blue	No charge

LEG AND STAINLESS STEEL KICK RAILS

NOTE: Legs are required if kick rails are ordered.

	32"	36"	52"	60"	72"	84"
6" legs	\$239	\$239	\$192	\$192	\$288	\$288
Front kick rail	\$129	\$134	\$153	\$163	\$179	\$192
Back kick rail	\$129	\$134	\$153	\$163	\$179	\$192
Left side kick rail	\$120	\$120	\$120	\$120	\$120	\$120
Right side kick rail	\$120	\$120	\$120	\$120	\$120	\$120

CASTERS

	32"	36"	52"	60"	72"	84"
4-1/8" casters	\$210	\$210	\$172	\$172	\$259	\$259
2-7/8" casters	\$208	\$208	\$166	\$166	\$249	\$249



Signature handle



Pull-tab handle



Tube handle

Bar Refrigeration



CP1RL72 with refrigeration hook up left, stainless doors and top

PRODUCT INFORMATION

(see CP1RL Spec Sheet for complete details)

STANDARD FEATURES:

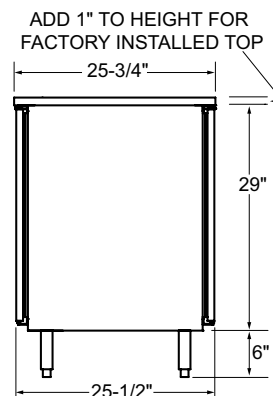
- Remote unit
- All stainless steel interior construction
- Two adjustable coated shelves per section
- Listed to NSF Standard 7 for open food as a storage refrigerator

COOLERS - PASS-THRU, ONE ZONE, REMOTE, LOW PROFILE*

MODEL	LIST	LENGTH	DOOR			BTU /HR	LONGNECK	750MLWINE
			DOORS	OPENING	WEIGHT		CASES	BOTTLES**
CP1RL24*	\$6,164	24"	2	20"	220#	850	4.7	42
CP1RL40*	\$7,706	40"	4	16"	350#	1,600	8.2	66
CP1RL48*	\$7,873	48"	4	20"	355#	1,600	11.8	90
CP1RL60*	\$10,995	60"	6	16"	485#	2,000	13.8	106
CP1RL72*	\$11,232	72"	6	20"	495#	2,000	18.3	137

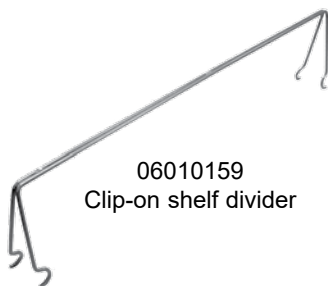
Base price only. See next page for configurable options.

*NOTE:
CP1RL coolers are manufactured to order and are not returnable.



Side Elevation

Bar Refrigeration



06010159
Clip-on shelf divider

ACCESSORIES

MODEL	DESCRIPTION	LIST
CWS-16P	Wine rack shelf for 16" door opening, 5 bottle	\$185
CWS-20P	Wine rack shelf for 20" door opening, 7 bottle	\$210
06010159	Clip-on shelf divider	\$45

ACCESSORY FOR REMOTE COOLER CABINET

MODEL	DESCRIPTION	LIST	WT
SVC	Solenoid valve and coil kit, for remote unit	\$298	6#
SVC-L	Solenoid valve and coil kit with factory installation, for remote unit	\$630	6#

*NOTE: CP1RL coolers are manufactured to order and are not returnable.

Select Configurable Options:

VOLTAGE

120V/60HZ	No charge
220V/50HZ (export voltage)	\$147

TEMPERATURE

Beer / Food, 34° to 40°, standard	No charge
White wine, 50° to 55°	No charge
Red wine, 60° to 65°	No charge

EXPANSION VALVE TYPE

R448A or R449A	No charge
R134a or R513A	No charge
R404A or R452A	No charge
R407A or R407F	No charge

REFRIGERATION HOOK-UP LOCATION

Left	No charge
Right	No charge

DOOR OPTIONS

NOTE: Select options for EACH Door Section

STYLE AND FINISH - PER DOOR

Door - Black vinyl-clad	No charge
Door - Unlaminated	No charge
Door - Stainless steel	\$45
Door - Jeweled stainless	\$238
Door - Laminated	\$272
Door - Glass, black vinyl-clad	\$527
Door - Glass, stainless steel	\$572
Door - Glass, jeweled stainless	\$765
Door - Glass, laminated	\$799

DOOR HINGE LOCATION - PER DOOR

Left	No charge
Right	No charge

DOOR HANDLE - PER DOOR

Signature handle	No charge
Pull-tab handle - stainless or black to match door; black for laminate	No charge
Tube handle	No charge

TOP STYLE

	<u>24"</u>	<u>40"</u>	<u>48"</u>	<u>60"</u>	<u>72"</u>
No finished top	No charge				
Stainless top	\$467	\$593	\$655	\$748	\$843

LEFT SIDE FINISH

Black vinyl-clad	No charge
Stainless Steel	\$45

RIGHT SIDE FINISH

Black vinyl-clad	No charge
Stainless Steel	\$45

LED LIGHTING STYLE

Bright white (7,000k), standard	No charge
Warm white (3,500k)	No charge
Amber (2,700k)	No charge
Blue	No charge

LEG AND STAINLESS STEEL KICK RAILS

NOTE: Legs are required if kick rails are ordered.

	<u>24"</u>	<u>40"</u>	<u>48"</u>	<u>60"</u>	<u>72"</u>
6" legs	\$192	\$192	\$192	\$288	\$288
Front kick rail	\$120	\$137	\$149	\$163	\$179
Back kick rail	\$120	\$137	\$149	\$163	\$179
Left side kick rail	\$120	\$120	\$120	\$120	\$120
Right side kick rail	\$120	\$120	\$120	\$120	\$120



Signature handle



Pull-tab handle



Tube handle

Bar Refrigeration

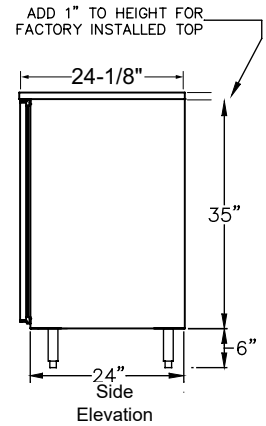


PRODUCT INFORMATION
(see F1FB Spec Sheet for complete details)

STANDARD FEATURES:

- Self-contained
- All stainless steel interior construction
- Models with door include three coated adjustable shelves
- Listed to NSF Standard 7

F1FB36 with compressor left and stainless steel door and top



*NOTE: F1FB units are manufactured to order and are not returnable.

FROSTERS - ONE ZONE, FRONT SERVICED, BAR PROFILE

MODEL	LIST	LENGTH	DOOR				AMPS	HP	10 Oz.	6" High
			DOORS	OPENING	WEIGHT	MUGS			PINTGLASSES	
F1FB32	\$7,234	32"	1	16" W	235#	6.5	1/3	120	96	
F1FB36	\$7,315	36"	1	20" W	250#	6.5	1/3	168	120	

Base price only. See next page for configurable options.

Bar Refrigeration



DIP-18 shown
Pans not included

ACCESSORIES

MODEL	DESCRIPTION	LIST
DIP-20	Drawer insert for fractional stainless pans, 20" door opening (pans not included)	\$271



Capable of storing specialty cocktail ice

*NOTE: F1FB units are manufactured to order and are not returnable.

Select Configurable Options:

VOLTAGE	
120V/60HZ	No charge
220V/50HZ (export voltage)	\$290

REFRIGERATION COMPARTMENT LOCATION	
Left	No charge
Right	No charge

REFRIGERATION COMPARTMENT COVER FINISH	
Black vinyl-clad	No charge
Unlaminated	No charge
Stainless steel	\$37
Jeweled stainless steel	\$219
Laminated	\$255

DOOR/DRAWER OPTIONS
NOTE: Select options for EACH Door/Drawer Section

STYLE AND FINISH - PER SECTION	
Door - Black vinyl-clad	No charge
Door - Unlaminated	No charge
Door - Stainless steel	\$45
Door - Jeweled stainless	\$238
Door - Laminated	\$272
Door - Glass, black vinyl-clad	\$692
Door - Glass, stainless steel	\$737
Door - Glass, jeweled stainless	\$930
Door - Glass, laminated	\$964
Drawers - Black vinyl-clad	\$2,246
Drawers - Unlaminated	\$2,246
Drawers - Stainless steel	\$2,291
Drawers - Jeweled stainless	\$2,484
Drawers - Laminated	\$2,518

DOOR HINGE LOCATION - PER DOOR	
Left	No charge
Right	No charge

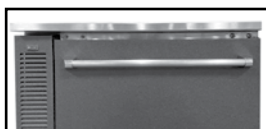
DOOR HANDLE - PER DOOR/DRAWER	
Signature handle (doors only)	No charge
Pull-tab handle - stainless or black to match door; black for laminate	No charge
Tube handle	No charge



Optional drawers include adjustable divider walls



Drawer pull-tab handle



Drawer tube handle

TOP STYLE		
No finished top	32"	36"
Stainless top	No charge	\$465 \$490

LEFT SIDE FINISH	
Black vinyl-clad	No charge
Stainless Steel	\$45

RIGHT SIDE FINISH	
Black vinyl-clad	No charge
Stainless Steel	\$45

BACK FINISH		
Galvanized steel	32"	36"
Stainless steel*	No charge	\$370 \$381

*NOTE: Stainless steel back option also includes stainless steel sides.

LED LIGHTING STYLE	
Bright white (7,000k), standard	No charge
Warm white (3,500k)	No charge
Amber (2,700k)	No charge
Blue	No charge

LEG AND STAINLESS STEEL KICK RAILS		
NOTE: Legs are required if kick rails are ordered.		
6" legs	32"	36"
Front kick rail	\$239	\$239
Left side kick rail	\$129	\$134
Right side kick rail	\$120	\$120

CASTERS		
4-1/8" casters	32"	36"
2-7/8" casters	\$210	\$210
	\$208	\$208



Signature handle



Pull-tab handle



Tube handle

Bar Refrigeration



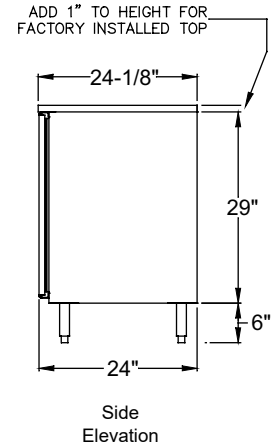
F1FL36 with compressor left and stainless steel door and top

PRODUCT INFORMATION

(see F1FL Spec Sheet for complete details)

STANDARD FEATURES:

- Self-contained
- All stainless steel interior construction
- Includes three adjustable coated shelves
- Listed to NSF Standard 7



*NOTE: F1FL units are manufactured to order and are not returnable.

Bar Refrigeration

FROSTERS - ONE ZONE, FRONT SERVICED, LOW PROFILE

MODEL	LIST	LENGTH	DOORS	DOOR		WEIGHT	AMPS	HP	10 Oz. MUGS	6" HIGH PINTGLASSES
				OPENING						
F1FL32	\$7,029	32"	1	16" W		240#	6.5	1/3	90	72
F1FL36	\$7,108	36"	1	20" W		250#	6.5	1/3	126	90

Base price only. See next page for configurable options.



Capable of storing specialty cocktail ice

*NOTE: FIFL units are manufactured to order and are not returnable.

Select Configurable Options:

VOLTAGE

120V/60HZ	No charge
220V/50HZ (export voltage)	\$290

REFRIGERATION COMPARTMENT LOCATION

Left	No charge
Right	No charge

REFRIGERATION COMPARTMENT COVER FINISH

Black vinyl-clad	No charge
Unlaminated	No charge
Stainless steel	\$37
Jeweled stainless steel	\$219
Laminated	\$255

DOOR OPTIONS

STYLE AND FINISH

Door - Black vinyl-clad	No charge
Door - Unlaminated	No charge
Door - Stainless steel	\$45
Door - Jeweled stainless	\$238
Door - Laminated	\$272
Door - Glass, black vinyl-clad	\$692
Door - Glass, stainless steel	\$737
Door - Glass, jeweled stainless	\$930
Door - Glass, laminated	\$964

DOOR HINGE LOCATION

Left	No charge
Right	No charge

DOOR HANDLE

Signature handle	No charge
Pull-tab handle - stainless or black to match door; black for laminate	No charge
Tube handle	No charge



Tube handle

TOP STYLE

	32"	36"
No finished top	No charge	
Stainless top	\$465	\$490
Drainboard top	\$773	\$820

4" HIGH STAINLESS SPLASHES

	32"	36"
NOTE: Can only be ordered with stainless steel top		
Backsplash	\$164	\$175
Left side splash	\$152	\$152
Right side splash	\$152	\$152

LEFT SIDE FINISH

Black vinyl-clad	No charge
Stainless Steel	\$45

RIGHT SIDE FINISH

Black vinyl-clad	No charge
Stainless Steel	\$45

BACK FINISH

	32"	36"
Galvanized steel	No charge	
Stainless steel*	\$370	\$381

*NOTE: Stainless steel back option also includes stainless steel sides.

LED LIGHTING STYLE

Bright white (7,000k), standard	No charge
Warm white (3,500k)	No charge
Amber (2,700k)	No charge
Blue	No charge

LEG AND STAINLESS STEEL KICK RAILS

NOTE: Legs are required if kick rails are ordered.

	32"	36"
6" legs	\$239	\$239
Front kick rail	\$129	\$134
Left side kick rail	\$120	\$120
Right side kick rail	\$120	\$120

CASTERS

	32"	36"
4-1/8" casters	\$210	\$210
2-7/8" casters	\$208	\$208



Signature handle



Pull-tab handle

Bar Refrigeration

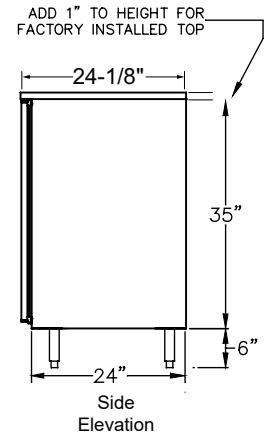


PRODUCT INFORMATION
(see F1SB Spec Sheet for complete details)

STANDARD FEATURES:

- Self-contained
- All stainless steel interior construction
- Models with doors include three adjustable coated shelves per door
- Listed to NSF Standard 7

F1SB48 with compressor left, stainless steel doors and top



*NOTE: F1SB28, F1SB36, and F1SB44 frosters and all units with drawers are manufactured to order and are not returnable.

FROSTERS - ONE ZONE, SIDE SERVICED, BAR PROFILE

MODEL	LIST	LENGTH	DOORS	DOOR OPENING	WEIGHT	AMPS	HP	10 Oz. MUGS	6" HIGH PINT GLASSES
F1SB24	\$6,738	24"	1	17.5" W	200#	5.0	1/3	132	97
F1SB28*	\$7,054	28"	1	20" W	220#	5.0	1/3	160	100
F1SB36*	\$9,226	36"	2	12" W	255#	5.0	1/3	223	155
F1SB44*	\$9,702	44"	2	16" W	280#	5.0	1/3	299	200
F1SB48	\$9,946	48"	2	18" W	300#	5.0	1/3	339	214

Base price only. See below for configurable options.

Bar Refrigeration

ACCESSORIES

MODEL	DESCRIPTION	LIST
DIP-17	Drawer insert for fractional stainless pans, 17.5" door opening (pans not included)	\$243
DIP-18	Drawer insert for fractional stainless pans, 18" door opening (pans not included)	\$249
DIP-20	Drawer insert for fractional stainless pans, 20" door opening (pans not included)	\$271



DIP-18
Pans not included



Capable of storing specialty cocktail ice

*NOTE: F1SB28, F1SB36, and F1SB44 frosters and all units with drawers are manufactured to order and are not returnable.

Select Configurable Options:

VOLTAGE	
120V/60HZ	No charge
220V/50HZ (export voltage)	\$290

REFRIGERATION COMPARTMENT LOCATION	
Left	No charge
Right	No charge

REFRIGERATION COMPARTMENT COVER FINISH	
Black vinyl-clad	No charge
Stainless steel	\$37
Jeweled stainless steel	\$219

DOOR/DRAWER OPTIONS

NOTE: Select options for EACH Door/Drawer Section

STYLE AND FINISH - PER SECTION	
Door - Black vinyl-clad	No charge
Door - Unlaminated	No charge
Door - Stainless steel	\$45
Door - Jeweled stainless	\$238
Door - Laminated	\$272
Door - Glass, black vinyl-clad	\$692
Door - Glass, stainless steel	\$737
Door - Glass, jeweled stainless	\$930
Door - Glass, laminated	\$964
Drawers* - Black vinyl-clad	\$2,246
Drawers* - Unlaminated	\$2,246
Drawers* - Stainless steel	\$2,291
Drawers* - Jeweled stainless	\$2,484
Drawers* - Laminated	\$2,518

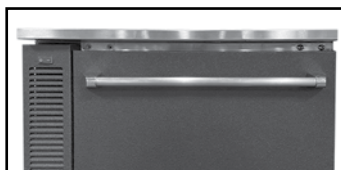
*NOTE: Units with drawers are manufactured to order and are not returnable.

DOOR HINGE LOCATION - PER DOOR	
Left	No charge
Right	No charge

DOOR HANDLE - PER DOOR/DRAWER	
Signature handle (doors only)	No charge
Pull-tab handle - stainless or black to match door; black for laminate	No charge
Tube handle	No charge



Drawer pull-tab handle



Drawer tube handle



Optional drawers include adjustable divider walls

TOP STYLE					
	24"	28"	36"	44"	48"
No finished top					No charge
Stainless top	\$415	\$439	\$490	\$542	\$567

LEFT SIDE FINISH	
Black vinyl-clad	No charge
Stainless Steel	\$45

RIGHT SIDE FINISH	
Black vinyl-clad	No charge
Stainless Steel	\$45

BACK FINISH					
	24"	28"	36"	44"	48"
Galvanized steel					No charge
Stainless steel*	\$344	\$356	\$381	\$407	\$421

*NOTE: Stainless steel back option also includes stainless steel sides.

LED LIGHTING STYLE	
Bright white (7,000k), standard	No charge
Warm white (3,500k)	No charge
Amber (2,700k)	No charge
Blue	No charge

LEG AND STAINLESS STEEL KICK RAILS

NOTE: Legs are required if kick rails are ordered.

	24"	28"	36"	44"	48"
6" legs	\$192	\$192	\$192	\$192	\$192
Front kick rail	\$120	\$125	\$134	\$144	\$149
Left side kick rail	\$120	\$120	\$120	\$120	\$120
Right side kick rail	\$120	\$120	\$120	\$120	\$120

CASTERS					
	24"	28"	36"	44"	48"
4-1/8" casters	\$172	\$172	\$172	\$172	\$172
2-7/8" casters	\$166	\$166	\$166	\$166	\$166



Signature handle



Pull-tab handle



Tube handle

Bar Refrigeration



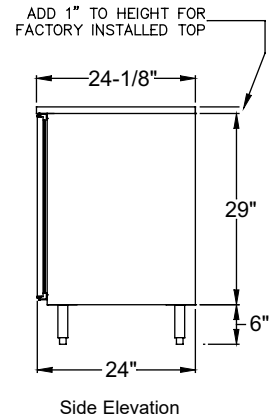
F1SL24 with compressor left, stainless door and top

PRODUCT INFORMATION

(see F1SL Spec Sheet for complete details)

STANDARD FEATURES:

- Self-contained
- All stainless steel interior construction
- Models with doors include three adjustable coated shelves per door
- Listed to NSF Standard 7



*NOTE: F1SL units are manufactured to order and are not returnable.

FROSTERS - ONE ZONE, SIDE SERVICED, LOW PROFILE*

MODEL	LIST	LENGTH	DOORS	DOOR OPENING	WEIGHT	AMPS	HP	10 Oz. MUGS	6" HIGH PINT GLASSES
F1SL24	\$6,688	24"	1	17.5" W	180#	5.0	1/3	101	72
F1SL28	\$6,900	28"	1	20" W	195#	5.0	1/3	123	75
F1SL36	\$8,877	36"	2	12" W	230#	5.0	1/3	171	115
F1SL44	\$9,301	44"	2	16" W	255#	5.0	1/3	231	151
F1SL48	\$9,522	48"	2	18" W	280#	5.0	1/3	261	169

Base price only. See below for configurable options.

ACCESSORIES

MODEL	DESCRIPTION	LIST
DIP-17	Drawer insert for fractional stainless pans, 17.5" door opening (pans not included)	\$243
DIP-18	Drawer insert for fractional stainless pans, 18" door opening (pans not included)	\$249
DIP-20	Drawer insert for fractional stainless pans, 20" door opening (pans not included)	\$271

Bar Refrigeration



DIP-18
Pans not included



Capable of storing specialty cocktail ice

*NOTE: F1SL units are manufactured to order and are not returnable.

Select Configurable Options:

VOLTAGE

120V/60HZ	No charge
220V/50HZ (export voltage)	\$290

REFRIGERATION COMPARTMENT LOCATION

Left	No charge
Right	No charge

REFRIGERATION COMPARTMENT COVER FINISH

Black vinyl-clad	No charge
Stainless steel	\$37
Jeweled stainless steel	\$219

DOOR/DRAWER OPTIONS

NOTE: Select options for EACH Door/Drawer Section

STYLE AND FINISH - PER SECTION

Door - Black vinyl-clad	No charge
Door - Unlaminated	No charge
Door - Stainless steel	\$45
Door - Jeweled stainless	\$238
Door - Laminated	\$272
Door - Glass, black vinyl-clad	\$692
Door - Glass, stainless steel	\$737
Door - Glass, jeweled stainless	\$930
Door - Glass, laminated	\$964
Drawers - Black vinyl-clad	\$2,246
Drawers - Unlaminated	\$2,246
Drawers - Stainless steel	\$2,291
Drawers - Jeweled stainless	\$2,484
Drawers - Laminated	\$2,518

DOOR HINGE LOCATION - PER DOOR

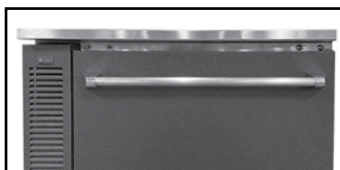
Left	No charge
Right	No charge

DOOR HANDLE - PER DOOR/DRAWER

Signature handle (doors only)	No charge
Pull-tab handle - stainless or black to match door; black for laminate	No charge
Tube handle	No charge



Drawer pull-tab handle



Drawer tube handle



Optional drawers include adjustable divider walls

TOP STYLE

	24"	28"	36"	44"	48"
No finished top	No charge				
Stainless top	\$415	\$439	\$490	\$542	\$567
Drainboard top	\$684	\$728	\$820	\$908	\$954

4" HIGH STAINLESS SPLASHES

	24"	28"	36"	44"	48"
NOTE: Can only be ordered with stainless steel top					
Backsplash	\$152	\$160	\$175	\$189	\$194
Left side splash	\$152	\$152	\$152	\$152	\$152
Right side splash	\$152	\$152	\$152	\$152	\$152

LEFT SIDE FINISH

Black vinyl-clad	No charge
Stainless Steel	\$45

RIGHT SIDE FINISH

Black vinyl-clad	No charge
Stainless Steel	\$45

BACK FINISH

	24"	28"	36"	44"	48"
Galvanized steel	No charge				
Stainless steel*	\$344	\$356	\$381	\$407	\$421

*NOTE: Stainless steel back option also includes stainless steel sides.

LED LIGHTING STYLE

Bright white (7,000k), standard	No charge
Warm white (3,500k)	No charge
Amber (2,700k)	No charge
Blue	No charge

LEG AND STAINLESS STEEL KICK RAILS

NOTE: Legs are required if kick rails are ordered.

	24"	28"	36"	44"	48"
6" legs	\$192	\$192	\$192	\$192	\$192
Front kick rail	\$120	\$125	\$134	\$144	\$149
Left side kick rail	\$120	\$120	\$120	\$120	\$120
Right side kick rail	\$120	\$120	\$120	\$120	\$120

CASTERS

	24"	28"	36"	44"	48"
4-1/8" casters	\$172	\$172	\$172	\$172	\$172
2-7/8" casters	\$166	\$166	\$166	\$166	\$166



Signature handle

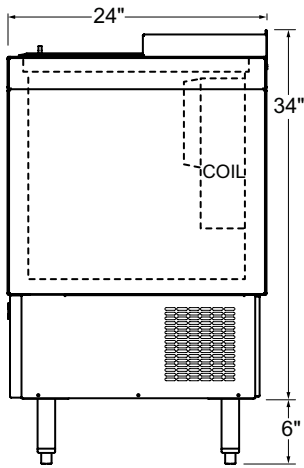


Pull tab handle



Tube handle

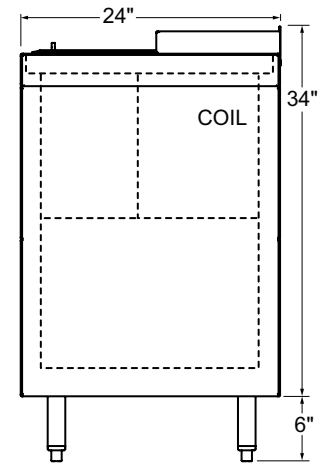
Bar Refrigeration



ST24
Side Elevation



ST48-S



ST36, ST48, ST60, ST72, ST96
Side Elevation

SLIDE TOP COOLERS

BLACK VINYL-CLAD EXTERIOR		STAINLESS STEEL EXTERIOR		LENGTH	DIVIDER RACKS	CASE CAP. BOTTLES	WGT
MODEL	LIST	MODEL	LIST				
ST24-B	\$5,259	ST24-S	\$5,519	24"	1	6.0	180#
ST36-B	\$6,073	ST36-S	\$6,352	36"	2	9.4	230#
ST48-B	\$7,743	ST48-S	\$8,038	48"	3	13.8	270#
ST60-B	\$8,814	ST60-S	\$9,124	60"	3	19.9	320#
ST72-B	\$9,961	ST72-S	\$10,295	72"	4	25.4	350#
ST96-B*	\$11,994	ST96-S*	\$12,361	96"	5	34.4	450#

*NOTE: These model Slide Top Coolers are manufactured to order and are not returnable

PRODUCT INFORMATION

(see ST Spec Sheet for complete details)

STANDARD FEATURES:

- Self-contained refrigeration
- All stainless steel interior with radius corners is easy to keep clean
- Easy to plan exterior dimensions: 24" front to back and 24", 36", 48", 60", 72", or 96" left to right
- Foamed-in-place insulation
- Six-foot grounded cord and plug provided (exits at rear)
- Automatic defrost timer
- Door lock(s)

ELECTRICAL:

- Dedicated 15 amp circuit is required
- 120V, 1 phase, 60 Hz, 4.5 full load amps
- Includes 9-foot grounded cord

REFRIGERATION:

- 1/6 HP, R290 refrigerant

PLUMBING:

Automatic condensate evaporator. No drain connection required.

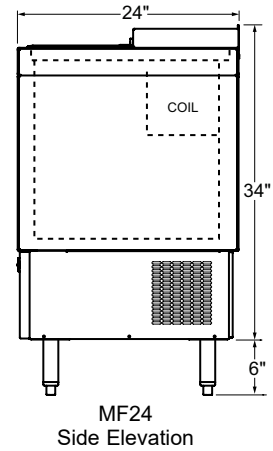
ACCESSORIES

MODEL	DESCRIPTION	LIST	WT	MODEL	DESCRIPTION	LIST	WT
C-4X4-1/8	4-1/8"H caster, set of four (ST24, ST36, ST48, ST60)	\$172	4#	STKR-60	60" kick rail	\$163	5#
C-6X4-1/8	4-1/8"H caster, set of six (ST72, ST96)	\$259	6#	STKR-72	72" kick rail	\$179	6#
C-4X2-7/8	2-7/8"H caster, set of four (ST24, ST36, ST48, ST60)	\$166	4#	STKR-96	96" kick rail	\$208	9#
C-6X2-7/8	2-1/2"H caster, set of six (ST72, ST96)	\$249	8#	STBS-24	24" slide top backsplash	\$152	4#
LEG06X4	Legs (set of 4), 6" (ST24, ST36, 48, 60)	\$192	5#	STBS-36	36" slide top backsplash	\$175	6#
LEG06X6	Legs (set of 6), 6" (ST72, 96)	\$288	7#	STBS-48	48" slide top backsplash	\$194	8#
BO/CC	Bottle opener/cap catcher	\$96	5#	STBS-60	60" slide top backsplash	\$218	10#
STKR-24	24" kick rail	\$120	2#	STBS-72	72" slide top backsplash	\$242	12#
STKR-36	36" kick rail	\$134	3#	STBS-96	96" slide top backsplash	\$287	16#
STKR-48	48" kick rail	\$149	4#	08000512	Chrome divider rack (extra) for ST36, 48, 60, 72, and 96	\$92	4#
				08000519	Stainless steel divider wall (extra) for ST24	\$126	5#
				CE-220/50S	Convert self-contained unit to 220V/50Hz electrical	\$290	N/A



MF48-S2

NOTE: Units come standard with bottom rack, which is recommended for chilling stacked plates. Two additional layers of shelves are optional, which is recommended for chilling glassware.



MF24
Side Elevation

24" MODELS

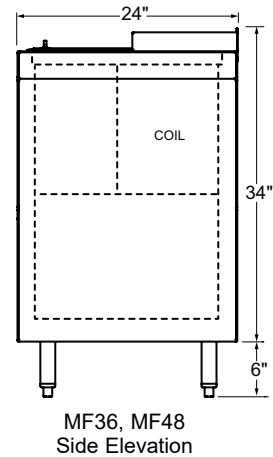
BLACK VINYL-CLAD EXTERIOR		STAINLESS STEEL EXTERIOR		NUMBER OF SHELVES	WGT
MODEL	LIST	MODEL	LIST		
MF24-B	\$6,208	MF24-S	\$6,467	0	195#
MF24-B2	\$6,387	MF24-S2	\$6,645	2	205#

36" MODELS

BLACK VINYL-CLAD EXTERIOR		STAINLESS STEEL EXTERIOR		NUMBER OF SHELVES	WGT
MODEL	LIST	MODEL	LIST		
MF36-B	\$6,970	MF36-S	\$7,246	0	235#
MF36-B2	\$7,224	MF36-S2	\$7,522	2	255#

48" MODELS

BLACK VINYL-CLAD EXTERIOR		STAINLESS STEEL EXTERIOR		NUMBER OF SHELVES	WGT
MODEL	LIST	MODEL	LIST		
MF48-B	\$7,862	MF48-S	\$8,159	0	280#
MF48-B2	\$8,239	MF48-S2	\$8,534	2	300#



MF36, MF48
Side Elevation

ACCESSORIES

MODEL	DESCRIPTION	LIST	WT
C-4X4-1/8	4-1/8"H caster, set of four	\$172	4#
C-4X2-7/8	2-7/8"H caster, set of four	\$166	4#
LEG06X4	Legs (set of 4), 6" (MF36, 48)	\$192	5#
MFKR-24	24" kick rail	\$120	2#
MFKR-36	36" kick rail	\$134	3#
MFKR-48	48" kick rail	\$149	4#
SSR-24	24" single speed rail	\$300	7#
SSR-36	36" single speed rail	\$348	12#
SSR-48	48" single speed rail	\$400	22#
MFBS-24	24" backsplash	\$152	4#
MFBS-36	36" backsplash	\$175	6#
MFBS-48	48" backsplash	\$194	8#
CE-220/50S	Convert self-contained unit to 220V/50Hz electrical	\$290	N/A

PRODUCT INFORMATION

(see MF Spec Sheet for complete details)

STANDARD FEATURES: All stainless steel interior construction
 • Units come standard with bottom rack, which is recommended for chilling stacked plates. Two additional layers of shelves are optional, which is recommended for chilling glassware. • Two Defrost Cycles: *Automatic* - occurs every eight hours without affecting normal operation, *Manual* - user initiated button for complete six-hour defrost with automatic restart

ELECTRICAL: 120V, 1 phase, 60 Hz, 6.0 full load amps. Includes 9-foot grounded cord.

REFRIGERATION: 1/3 HP, R290 refrigerant, operating range: 12°F to 35°F

PLUMBING: No drain connection required

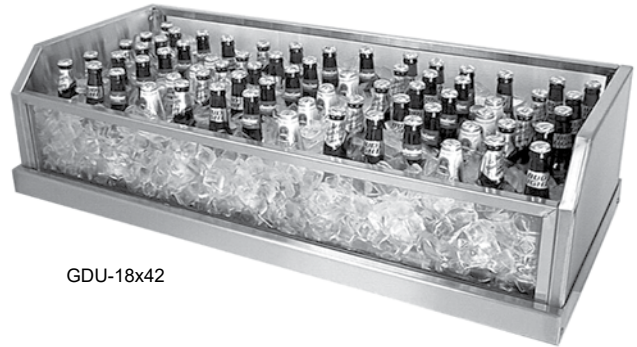
CAPACITY: Pint glasses - 24" Model = 55♦, 36" Model = 87♦, 48" Model = 147♦

♦ Based on models with two additional layers of shelves and filled with 3-1/2" diameter by 5-7/8" high pint glasses

Bar Refrigeration

12" DEEP GLASS ICE DISPLAY UNITS

MODEL	LIST	WEIGHT	LENGTH
GDU-12X24	\$2,247	60#	24"
GDU-12X30	\$2,352	65#	30"
GDU-12X36	\$2,454	70#	36"
GDU-12X42	\$2,559	75#	42"
GDU-12X48	\$2,660	80#	48"
GDU-12X54	\$2,764	85#	54"
GDU-12X60	\$3,792	90#	60"
GDU-12X66	\$3,932	95#	66"
GDU-12X72	\$4,077	100#	72"
GDU-12X78	\$4,217	105#	78"
GDU-12X84	\$4,361	110#	84"
GDU-12X90	\$4,502	115#	90"
GDU-12X96	\$4,644	120#	96"
GDU-12X102	\$4,787	125#	102"
GDU-12X108	\$4,928	130#	108"



GDU-18x42

See page 118 for LLD model Lighted Liquor Displays that are specifically designed for use with Glastender Glass Ice Display Units.

16" DEEP GLASS ICE DISPLAY UNITS

MODEL	LIST	WEIGHT	LENGTH
GDU-16X24	\$2,489	70#	24"
GDU-16X30	\$2,593	75#	30"
GDU-16X36	\$2,698	80#	36"
GDU-16X42	\$2,801	85#	42"
GDU-16X48	\$2,906	90#	48"
GDU-16X54	\$3,009	95#	54"
GDU-16X60	\$4,034	100#	60"
GDU-16X66	\$4,178	105#	66"
GDU-16X72	\$4,318	110#	72"
GDU-16X78	\$4,461	115#	78"
GDU-16X84	\$4,601	120#	84"
GDU-16X90	\$4,742	125#	90"
GDU-16X96	\$4,885	130#	96"
GDU-16X102	\$5,027	135#	102"
GDU-16X108	\$5,169	140#	108"

24" DEEP GLASS ICE DISPLAY UNITS

MODEL	LIST	WEIGHT	LENGTH
GDU-24X24	\$2,730	75#	24"
GDU-24X30	\$2,835	80#	30"
GDU-24X36	\$2,939	85#	36"
GDU-24X42	\$3,043	90#	42"
GDU-24X48	\$3,145	95#	48"
GDU-24X54	\$3,251	100#	54"
GDU-24X60	\$4,270	110#	60"
GDU-24X66	\$4,412	115#	66"
GDU-24X72	\$4,555	120#	72"
GDU-24X78	\$4,697	125#	78"
GDU-24X84	\$4,838	130#	84"
GDU-24X90	\$4,981	135#	90"
GDU-24X96	\$5,123	140#	96"
GDU-24X102	\$5,264	145#	102"
GDU-24X108	\$5,408	150#	108"

18" DEEP GLASS ICE DISPLAY UNITS

MODEL	LIST	WEIGHT	LENGTH
GDU-18X24	\$2,489	70#	24"
GDU-18X30	\$2,593	75#	30"
GDU-18X36	\$2,698	80#	36"
GDU-18X42	\$2,801	85#	42"
GDU-18X48	\$2,906	90#	48"
GDU-18X54	\$3,009	95#	54"
GDU-18X60	\$4,034	100#	60"
GDU-18X66	\$4,178	105#	66"
GDU-18X72	\$4,318	110#	72"
GDU-18X78	\$4,461	115#	78"
GDU-18X84	\$4,601	120#	84"
GDU-18X90	\$4,742	125#	90"
GDU-18X96	\$4,885	130#	96"
GDU-18X102	\$5,027	135#	102"
GDU-18X108	\$5,169	140#	108"

PRODUCT INFORMATION

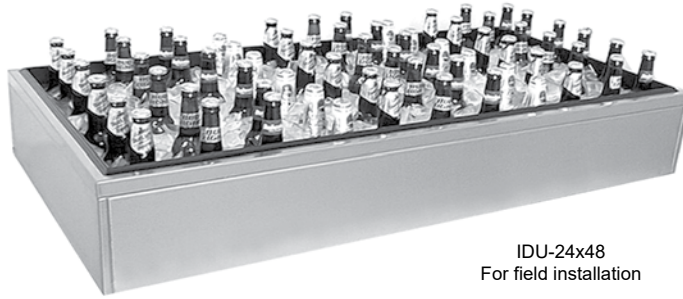
(see GDU Spec Sheet for complete details)

STANDARD FEATURES

- Stainless steel foamed-in-place insulated end panels (units larger than 54" include center partition)
- Stainless steel insulated drain pan to mount to existing counter top
- Double pane glass front and back panels with stainless steel trim
- Stainless steel perforated bottom inserts (1/2" tall)

NOTE: Glass Ice Display Units include a special insulated stainless drain pan that mounts to a countertop.

*NOTE: Glass Ice Display Units are manufactured to order and are not returnable



IDU-24x48
For field installation

STANDARD FEATURES

- All stainless steel construction
- PVC “Breaker Strip” around ice bins acts as thermal barrier to prevent heat transfer
- Foamed-in-place insulation
- Stainless steel front, back, and sides are standard; black vinyl-clad is optional
- 1/2” tall perforated stainless steel bottom inserts
- Available as factory installed on top of a cooler cabinet or as field installed on a countertop
- 7” high with 6” deep liner

PRODUCT INFORMATION

(see IDU Spec Sheet for complete details)

Ice display units merchandise bottled beverages and may be factory mounted to the top of most Glastender coolers.

Ice display unit may also be field installed to an existing countertop. A \$500 list deduct applies to field installed units.

12” DEEP ICE DISPLAY UNITS

<u>MODEL</u>	<u>LIST</u>	<u>WEIGHT</u>	<u>LENGTH</u>
IDU-12X24	\$2,018	35#	24”
IDU-12X30	\$2,158	40#	30”
IDU-12X36	\$2,303	45#	36”
IDU-12X42	\$2,444	50#	42”
IDU-12X48	\$2,584	55#	48”
IDU-12X54	\$2,728	60#	54”
IDU-12X60	\$2,869	65#	60”

18” DEEP ICE DISPLAY UNITS

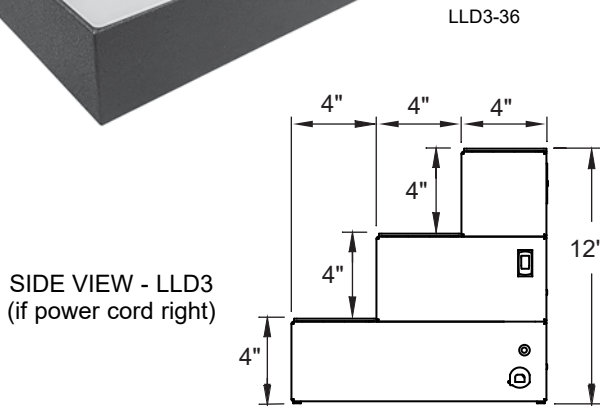
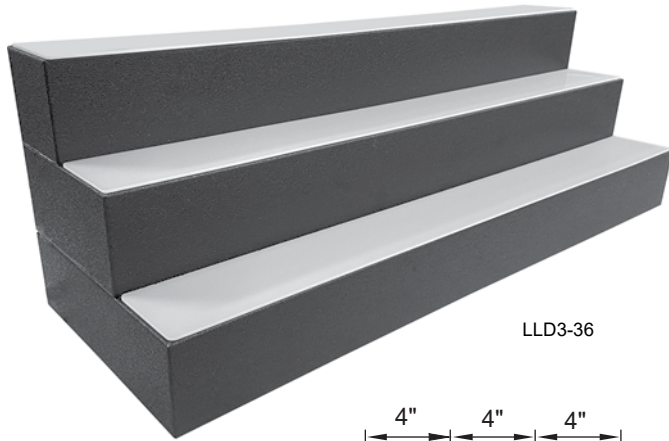
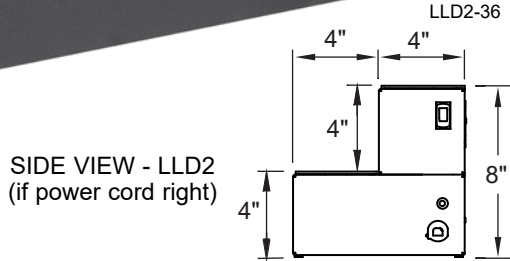
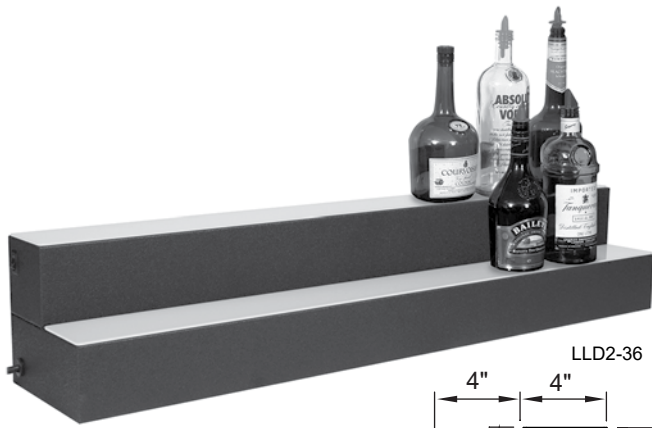
<u>MODEL</u>	<u>LIST</u>	<u>WEIGHT</u>	<u>LENGTH</u>
IDU-18X24	\$2,279	45#	24”
IDU-18X30	\$2,479	50#	30”
IDU-18X36	\$2,679	58#	36”
IDU-18X42	\$2,879	66#	42”
IDU-18X48	\$3,079	74#	48”
IDU-18X54	\$3,279	82#	54”
IDU-18X60	\$3,478	90#	60”

24” DEEP ICE DISPLAY UNITS

<u>MODEL</u>	<u>LIST</u>	<u>WEIGHT</u>	<u>LENGTH</u>
IDU-24X24	\$2,518	55#	24”
IDU-24X30	\$2,780	65#	30”
IDU-24X36	\$3,046	75#	36”
IDU-24X42	\$3,310	85#	42”
IDU-24X48	\$3,573	95#	48”
IDU-24X54	\$3,837	105#	54”
IDU-24X60	\$4,100	115#	60”

Bar Refrigeration

*NOTE: Ice Display Units are manufactured to order and are not returnable



TWO TIER LIGHTED LIQUOR DISPLAYS

MODEL	LIST	LENGTH	WEIGHT
LLD2-24	\$1,008	24"	25#
LLD2-30	\$1,124	30"	29#
LLD2-36	\$1,229	36"	33#
LLD2-42	\$1,335	42"	37#
LLD2-48	\$1,449	48"	41#
LLD2-54	\$1,585	54"	45#
LLD2-60	\$1,691	60"	58#

Base price only. See below for configurable options.

THREE TIER LIGHTED LIQUOR DISPLAYS

MODEL	LIST	LENGTH	WEIGHT
LLD3-24	\$1,411	24"	30#
LLD3-30	\$1,589	30"	35#
LLD3-36	\$1,747	36"	40#
LLD3-42	\$1,906	42"	44#
LLD3-48	\$2,074	48"	49#
LLD3-54	\$2,283	54"	54#
LLD3-60	\$2,441	60"	70#

Base price only. See below for configurable options.

PRODUCT INFORMATION

(see LLD Spec Sheet for complete details)

STANDARD FEATURES: Provides illuminated, stepped liquor bottle storage and display • Black vinyl-clad or stainless steel exterior • On/off switch and 6-foot grounded cord and plug • Includes LED light strips • LED lighting style available as bright white, warm white, or adjustable multi-color • Opaque acrylic step cover

ELECTRICAL: 100-240 VAC, 1 phase, 50/60Hz, less than 2 full load amps • Includes on/off switch and 6-foot grounded cord and plug

*NOTE: Lighted Liquor Displays are manufactured to order and are not returnable

Bar Refrigeration

Select Configurable Options:

POWER CORD STYLE

Type B - NEMA 5-15P (Default - North America)	No charge
Type F (Europe)	No charge
Type M (India)	No charge

POWER CORD LOCATION

Left	No charge
Right	No charge

EXTERIOR FINISH

Black vinyl-clad	No charge
Stainless steel	\$59

LED LIGHTING

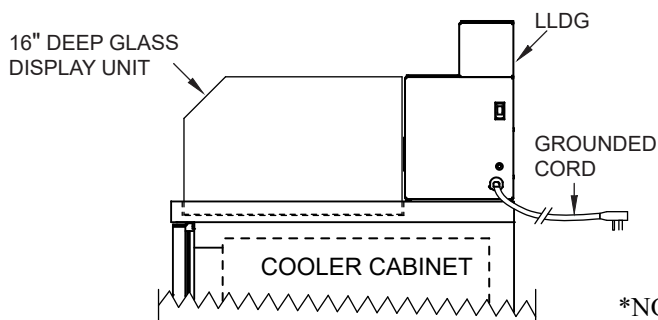
Bright white	No charge
Warm white	No charge
Adjustable multi-color	\$222



LLDG-48 shown installed with a GDU-16x48 factory mounted on cooler cabinet



LLDG-36



SIDE VIEW OF LLDG
(with factory installed 16" deep glass ice display unit)

*NOTE: Lighted Liquor Displays are manufactured to order and are not returnable

LLDG model Lighted Liquor Displays are specifically designed for use with Glastender Glass Ice Display Units (see page 115). When mounted on a cooler at the factory, the 16" deep GDU models have an 8-1/4" rear deck space designed to fit the 8" deep LLDG. The 9-1/4" high first step of the LLDG raises the bottles above the back of the GDU. Also, the LLDG has a front light channel to help illuminate the GDU. (See the side view detail.)

GLASS ICE DISPLAY UNIT LIGHTED LIQUOR DISPLAYS

MODEL	LIST	LENGTH	WEIGHT
LLDG-24	\$1,489	24"	25#
LLDG-30	\$1,661	30"	29#
LLDG-36	\$1,814	36"	33#
LLDG-42	\$1,967	42"	37#
LLDG-48	\$2,131	48"	41#
LLDG-54	\$2,336	54"	45#
LLDG-60	\$2,489	60"	58#

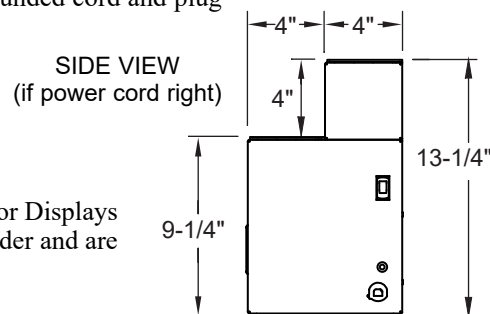
Base price only. See below for configurable options.

PRODUCT INFORMATION

(see LLD Spec Sheet for complete details)

STANDARD FEATURES: Provides illuminated, stepped liquor bottle storage and display • Black vinyl-clad or stainless steel exterior • On/off switch and 6-foot grounded cord and plug • Includes LED light strips • LED lighting style available as bright white, warm white, or adjustable multi-color • Opaque acrylic step cover • 9-1/4" high first step and a front light channel for use in conjunction with Glastender Glass Ice Display Units

ELECTRICAL: 100-240 VAC, 1 phase, 50/60Hz, less than 2 full load amps • Includes on/off switch and 6-foot grounded cord and plug



Bar Refrigeration

Select Configurable Options:

POWER CORD STYLE	
Type B - NEMA 5-15P (Default - North America)	No charge
Type F (Europe)	No charge
Type M (India)	No charge

POWER CORD LOCATION	
Left	No charge
Right	No charge

LED LIGHTING	
Bright white	No charge
Warm white	No charge
Adjustable multi-color	\$222

EXTERIOR FINISH	
Black vinyl-clad	No charge
Stainless steel	\$59

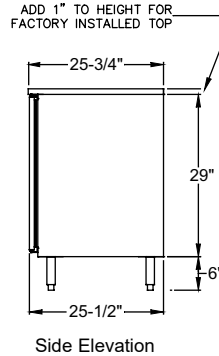
PRODUCT INFORMATION

(see LPDS Spec Sheet for complete details)

STANDARD FEATURES: Galvanized steel interior construction • Foamed-in-place insulation for extra sturdiness • Black vinyl-clad steel exterior front and sides • Stainless steel die cast handle with lock • Leg sockets recessed into base • 180° swinging door



LPDS24-1SS(L)



LOW PROFILE DRY STORAGE CABINETS				
MODEL	LIST	LENGTH	DOORS	WEIGHT
LPDS24	\$2,074	24"	1	135#
LPDS40	\$3,914	40"	2	245#
LPDS48	\$4,141	48"	2	255#
LPDS60	\$5,375	60"	3	350#
LPDS72	\$5,780	72"	3	365#
LPDS80	\$6,869	80"	4	455#
LPDS96	\$7,415	96"	4	475#

Base price only. See below for configurable options.

*NOTE: Low Profile Dry Storage Cabinets are manufactured to order and are not returnable.

Select Configurable Options:

Bar Refrigeration

DOOR OPTIONS

NOTE: Select options for EACH Door Section

STYLE AND FINISH - PER DOOR	
Door - Black vinyl-clad	No charge
Door - Unlaminated	No charge
Door - Stainless steel	\$45
Door - Jeweled stainless	\$238
Door - Laminated	\$272

DOOR HINGE LOCATION - PER DOOR

Left	No charge
Right	No charge

SHELVING

Two adjustable shelves per door included	No charge
--	-----------

DOOR HANDLE - PER DOOR

Signature handle	No charge
Pull-tab handle - stainless or black to match door; black for laminate	No charge
Tube handle	No charge



Signature handle Pull tab handle Tube handle

TOP STYLE

	24"	40"	48"	60"	72"	80"	96"
No finished top	No charge						
Stainless top	\$473	\$515	\$567	\$644	\$721	\$773	\$875

LEFT SIDE FINISH

Black vinyl-clad	No charge
Stainless Steel	\$45

RIGHT SIDE FINISH

Black vinyl-clad	No charge
Stainless Steel	\$45

LEG AND STAINLESS STEEL KICK RAILS

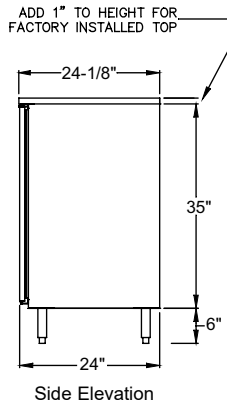
NOTE: Legs are required if kick rails are ordered.

	24"	40"	48"	60"	72"	80"	96"
6" legs	\$192	\$192	\$192	\$288	\$288	\$288	\$288
Front kick rail	\$120	\$137	\$149	\$163	\$179	\$188	\$208
Left side kick rail	\$120	\$120	\$120	\$120	\$120	\$120	\$120
Right side kick rail	\$120	\$120	\$120	\$120	\$120	\$120	\$120

CASTERS

	24"	40"	48"	60"	72"	80"	96"
4-1/8" casters	\$172	\$172	\$172	\$259	\$259	\$259	\$259
2-7/8" casters	\$166	\$166	\$166	\$249	\$249	\$249	\$249

*NOTE: Dry Storage Cabinets are manufactured to order and are not returnable.



DS24 with stainless door and top

PRODUCT INFORMATION

(see Dry Storage Spec Sheet for complete details)

STANDARD FEATURES:

- Galvanized steel interior construction
- Galvanized steel back

DRY STORAGE CABINETS

MODEL	LIST	LENGTH	DOORS	WEIGHT
DS24	\$2,279	24"	1	140#
DS40	\$4,108	40"	2	255#
DS48	\$4,350	48"	2	265#
DS60	\$5,636	60"	3	365#
DS72	\$6,056	72"	3	380#
DS80	\$7,260	80"	4	475#
DS96	\$7,827	96"	4	495#

Base price only. See below for configurable options.

Select Configurable Options:

DOOR OPTIONS

NOTE: Select options for EACH Door Section

STYLE AND FINISH - PER DOOR

Door - Black vinyl-clad	No charge
Door - Unlaminated	No charge
Door - Stainless steel	\$45
Door - Jeweled stainless	\$238
Door - Laminated	\$272

DOOR HINGE LOCATION - PER DOOR

Left	No charge
Right	No charge

SHELVING

Two adjustable shelves per door included	No charge
--	-----------

DOOR HANDLE - PER DOOR

Signature handle	No charge
Pull-tab handle - stainless or black to match door; black for laminate	No charge
Tube handle	No charge



Signature handle Pull tab handle Tube handle

TOP STYLE

	24"	40"	48"	60"	72"	80"	96"
No finished top				No charge			
Stainless top	\$473	\$515	\$567	\$644	\$721	\$773	\$875

LEFT SIDE FINISH

Black vinyl-clad	No charge
Stainless Steel	\$45

RIGHT SIDE FINISH

Black vinyl-clad	No charge
Stainless Steel	\$45

LEG AND STAINLESS STEEL KICK RAILS

NOTE: Legs are required if kick rails are ordered.

	24"	40"	48"	60"	72"	80"	96"
6" legs	\$192	\$192	\$192	\$288	\$288	\$288	\$288
Front kick rail	\$120	\$137	\$149	\$163	\$179	\$188	\$208
Left side kick rail	\$120	\$120	\$120	\$120	\$120	\$120	\$120
Right side kick rail	\$120	\$120	\$120	\$120	\$120	\$120	\$120

CASTERS

	24"	40"	48"	60"	72"	80"	96"
4-1/8" casters	\$172	\$172	\$172	\$259	\$259	\$259	\$259
2-7/8" casters	\$166	\$166	\$166	\$249	\$249	\$249	\$249

Bar Refrigeration

PRODUCT INFORMATION

(see BGS and BLD Spec Sheets for complete details)



BGS-24
shown with T-24X24-S



BLD-24
shown with T-24X24-S

24" DEEP BACK BAR GLASS STORAGE UNITS

BLACK	LIST	STAINLESS	LIST	LENGTH	WGT
BGS-18	\$2,649	BGS-18-S	\$2,739	18"	110#
BGS-24	\$3,054	BGS-24-S	\$3,144	24"	135#
BGS-30	\$3,460	BGS-30-S	\$3,550	30"	160#

24" DEEP BACK BAR LIQUOR DISPLAYS

BLACK	LIST	STAINLESS	LIST	LENGTH	WGT
BLD-18	\$2,482	BLD-18-S	\$2,572	18"	95#
BLD-24	\$2,734	BLD-24-S	\$2,824	24"	105#
BLD-30	\$2,988	BLD-30-S	\$3,078	30"	120#
BLD-36	\$3,239	BLD-36-S	\$3,329	36"	130#
BLD-42	\$3,492	BLD-42-S	\$3,582	42"	145#
BLD-48	\$3,746	BLD-48-S	\$3,836	48"	155#

LOCKING COVERS FOR BACK BAR LIQUOR DISPLAYS

STAINLESS	LIST	BLACK	LIST	LENGTH	WGT
BLC-18-S	\$423	BLC-18	\$341	18"	18#
BLC-24-S	\$475	BLC-24	\$371	24"	20#
BLC-30-S	\$527	BLC-30	\$404	30"	25#
BLC-36-S	\$581	BLC-36	\$434	36"	30#
BLC-42-S	\$633	BLC-42	\$466	42"	35#
BLC-48-S	\$688	BLC-48	\$499	48"	40#

STAINLESS TOPS

STAINLESS	LIST	LENGTH	WGT
T-24X18-S	\$420	18"	15#
T-24X24-S	\$473	24"	18#
T-24X30-S	\$526	30"	21#
T-24X36-S	\$579	36"	24#
T-24X42-S	\$630	42"	27#
T-24X48-S	\$684	48"	30#

STAINLESS KICK RAILS

MODEL	LIST	LENGTH	WGT
CKR-18	\$112	18"	2#
CKR-24	\$120	24"	4#
CKR-30	\$126	30"	6#
CKR-36	\$134	36"	8#
CKR-42	\$138	42"	10#
CKR-48	\$149	48"	12#

SET OF FOUR 6" LEGS

MODEL	LIST	WEIGHT
LEG06X4	\$192	6#

*NOTE: These items are manufactured to order and are not returnable

Bar Refrigeration

Margarita Machine Stands*

Pricing effective January 1, 2025

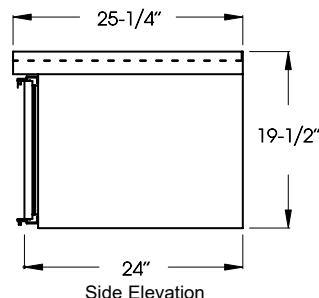
MARGARITA MACHINE STANDS

MODEL	LENGTH	LIST	WEIGHT
MS20	20"	\$2,243	110#
MS24	24"	\$2,325	115#



MS20
Shown with
optional legs

*NOTE: Margarita Machine Stands are manufactured to order and are not returnable.



PRODUCT INFORMATION

(see MS Spec Sheet for complete details)

Select Configurable Options:

DOOR

FINISH

Black vinyl-clad	No charge
Stainless Steel	\$45

HINGE LOCATION

Left	No charge
Right	No charge

SIDE FINISH

Black vinyl-clad	No charge
Stainless Steel	\$90

LEGS AND CASTERS

6" Legs	\$192
4-1/8" Casters	\$172
2-7/8" Casters	\$166

See CS18 Spec Sheet for additional product information

*NOTE: 18" Condensing Unit Storage Cabinets are manufactured to order and are not returnable

FORCED AIR CROSSOVER & SHAFT ASSEMBLIES

MODEL	DESCRIPTION	LIST	WT
CROSS-RR	30" crossover tube assembly with 100 CFM blower motor from a refrigerator to another	\$1,298	15#
CROSS-WR	30" crossover tube assembly with 100 CFM blower motor from a walk-in cooler to a refrigerator	\$1,307	20#
CROSS-WT	30" crossover tube assembly with 100 CFM blower motor from a walk-in cooler to a wall mount tower	\$1,323	20#
SHAFT-RT	72" air shaft assembly with 100 CFM blower motor from a refrigerator to a beer tower	\$1,334	25#
SHAFT-WT	72" air shaft assembly with 100 CFM blower motor from a walk-in cooler to a beer tower	\$1,367	28#

2" CASTER SETS

MODEL	DESCRIPTION	LIST	WT
C-4X2-7/8	2-7/8"H caster, set of four, for 2-door front-serviced cooler	\$166	4#
C-4X2-7/8-S	2-7/8"H caster, set of four, for side-serviced coolers and frosters	\$166	4#
C-5X2-7/8-S	2-7/8"H caster, set of five, for 1-door front-serviced coolers and frosters	\$208	5#
C-6X2-7/8	2-7/8"H caster, set of six, for coolers with 3 or 4 doors	\$249	6#
C-6X2-7/8-S	2-7/8"H caster, set of six, for 72" and 84" shallow-depth coolers	\$249	6#

4" CASTER SETS

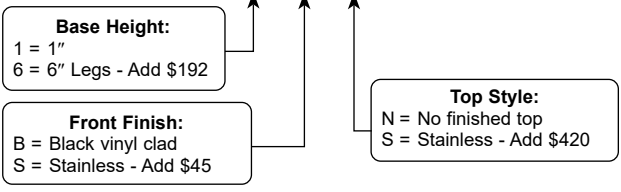
MODEL	DESCRIPTION	LIST	WT
C-4X4-1/8	4-1/8"H caster, set of four, for 2-door front-serviced coolers	\$172	4#
C-4X4-1/8-S	4-1/8"H caster, set of four, for side-serviced coolers and frosters	\$172	4#
C-5X4-1/8-S	4-1/8"H caster, set of five, for 1-door front-serviced coolers and frosters	\$210	5#
C-6X4-1/8	4-1/8"H caster, set of six, for coolers with 3 or 4 doors	\$259	6#
C-6X4-1/8-S	4-1/8"H caster, set of six, for 72" and 84" shallow-depth coolers	\$259	6#

18" CONDENSING UNIT STORAGE CABINET*

Standard List = \$1,760

Weight without top = 85# / with top = 105#

CS18-N - N



CS18-N1-SNN

Bar Refrigeration

6" LEG SETS

MODEL	DESCRIPTION	LIST	WT
LEG06X4	Set of four legs, for front-serviced and remote coolers up to 2 doors - does not include 32" and 36" front-serviced coolers (see LEGS06X5)	\$192	5#
LEG06X4-AT	Set of four legs, for side-serviced coolers and frosters	\$192	6#
LEG06X5	Set of five legs, for 32" and 36" front-serviced coolers	\$239	6#
LEG06X6	Set of six legs, for coolers with 3 or 4 doors	\$288	7#

PRODUCT INFORMATION

(see BLC Spec Sheet for complete details)

STANDARD FEATURES:

- Glycol connections with flared fittings for easy service access
- Durable black vinyl-clad exterior with 16 gauge galvanized steel base
- Stainless steel, foamed-in-place insulated glycol bath
- High efficiency heat exchanger minimizes glycol bath size to one gallon
- CFC-free R134a refrigerant
- Front located glycol filling port

ADDITIONAL FEATURES ON REMOTE INSTALLABLE CONTROL PANEL MODELS:

- Digital temperature control with LCD display
- Over-sized condenser coil for maximum efficiency
- Clear glycol bath cover for easy visual inspection
- Available with two recirculating pumps

ELECTRICAL:

BLC-1/3: 120V, 1 phase, 60 Hz, 12.5 full load amps, dedicated 20 amp circuit req'd

BLC-1/3-2: 120V, 1 phase, 60 Hz, 18.6 full load amps, dedicated 30 amp circuit req'd

BLC-1/2: 120V, 1 phase, 60 Hz, 13.5 full load amps, dedicated 20 amp circuit req'd

BLC-1/2-2: 120V, 1 phase, 60 Hz, 19.5 full load amps, dedicated 30 amp circuit req'd

BLC-3/4: 230V, 1 phase, 60 Hz, 10.1 full load amps, dedicated 20 amp circuit req'd

BLC-3/4-2: 230V, 1 phase, 60 Hz, 12.9 full load amps, dedicated 20 amp circuit req'd

REFRIGERATION:

BLC-1/3 and BLC-1/3-2: 1/3 HP, R134a refrigerant

BLC-1/2 and BLC-1/2-2: 1/2 HP, R134a refrigerant

BLC-3/4 and BLC-3/4-2: 3/4 HP, R134a refrigerant

Protected by one or more patents. For more information visit:
<https://www.glastender.com/patents>

Beverage Dispensing

What is a remote installable control panel?

The Glastender patented beverage line chiller design houses the heat exchanger inside the condensing unit compartment. This unique feature allows the control panel with glycol bath and recirculating pump(s) to be easily installed separately from the condensing unit in a more conveniently accessible location. Simply remove the control panel from the condensing unit cabinet and mount it in the desired location. Only glycol and electrical lines need to be run between the control panel and the condensing unit cabinet.

Electrical connection between condensing unit and control panel by local electrician

Glycol line from heat exchanger to bath

Digital temperature control with LCD display

Power cord for unit

Condensing unit and heat exchanger cabinet

Glycol return from beverage tower to heat exchanger

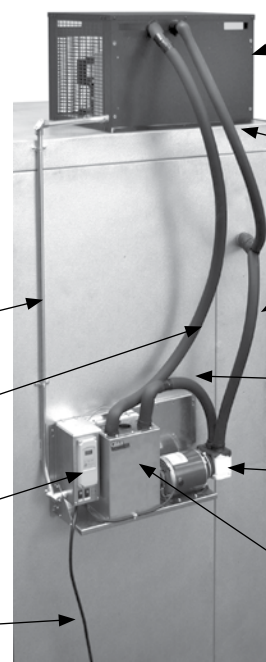
Glycol line from pump to beverage tower

Glycol line from bath to pump

Recirculating pump

One gallon glycol bath

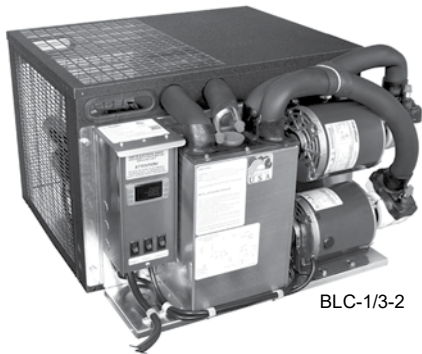
Photo shows BLC-1/3 in an installation setting with the control panel installed remotely from the condensing unit cabinet.



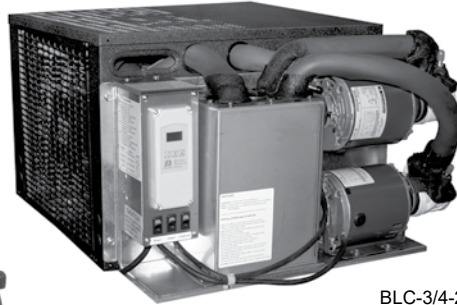
BEVERAGE LINE CHILLERS WITH REMOTE INSTALLABLE CONTROL PANEL

MODEL	DESCRIPTION	LIST	WT	MAX RUN
BLC-1/3	1/3 HP beverage line chiller, one pump	\$6,301	150#	125'
BLC-1/3-2	1/3 HP beverage line chiller, two pumps	\$7,779	163#	125'
BLC-1/2	1/2 HP beverage line chiller, one pump	\$6,925	153#	250'
BLC-1/2-2	1/2 HP beverage line chiller, two pumps	\$8,399	166#	250'
BLC-3/4	3/4 HP beverage line chiller, one pump	\$8,472	175#	400'
BLC-3/4-2	3/4 HP beverage line chiller, two pumps	\$9,946	193#	400'

Which line chiller size should you choose? Remote beverage line chillers are sized to handle different length runs. If two separate conduits are involved, then the lengths of the two runs must be added together to determine the total run requirement. The run length is calculated as the distance between the line chiller and the beverage tower in a single pass glycol conduit, including any rise or fall.



BLC-1/3-2



BLC-3/4-2

Patented. For more information visit:
<https://www.glastender.com/patents>

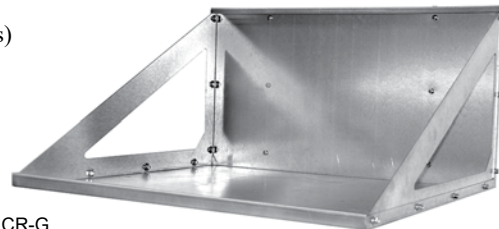
Beverage Line Chiller Accessories

Beverage Dispensing



LCS-G

(see LCS and LCR
 Spec Sheets for complete details)



LCR-G

All stands are 39" high by 25-5/16" deep. LCS-S and LCS-G stands are 26-7/8" wide. LCS-S2 and LCS-G2 stands are 32-7/8" wide to accommodate a line chiller on both the top and bottom shelf. Comes with adjustable feet for leveling. The bottom shelf is at the 8" high level. Pre-drilled mounting holes fit Glastender line chiller models. The four stands are used for all line chiller models.

A line chiller wall rack is a shelf that is mounted to a structural wall. The shelf has holes that correspond to the line chiller leg set mounting holes, so the line chiller can be bolted to the shelf.

LINE CHILLER STANDS

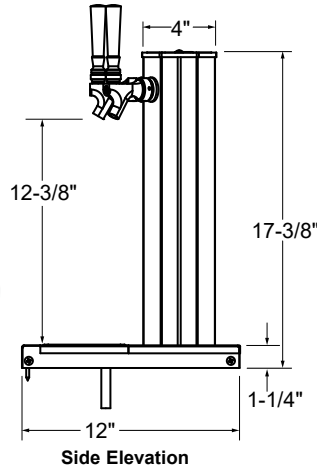
MODEL	DESCRIPTION	LIST	WT
LCS-S	Line chiller stand, stainless	\$1,388	70#
LCS-S2	Line chiller stand, stainless	\$1,502	82#
LCS-G	Line chiller stand, galvanized	\$810	70#
LCS-G2	Line chiller stand, galvanized	\$880	82#

LINE CHILLER WALL RACKS

MODEL	DESCRIPTION	LIST	WT
LCR-S	Wall rack, stainless steel (BLC-1/3, BLC-1/3-2, BLC-1/2, BLC-1/2-2, BLC-3/4, BLC-3/4-2)	\$872	38#
LCR-G	Wall rack, galvanized (BLC-1/3, BLC-1/3-2, BLC-1/2, BLC-1/2-2, BLC-3/4, BLC-3/4-2)	\$493	38#



CT-3-SS
(handles not included)



PRODUCT INFORMATION

(see CT Spec Sheet for complete details)

STANDARD FEATURES

- All stainless steel construction
- Integrated surface mount drain pan with lift-out perforated inserts
- 1/4" shanks with 3/16" restriction lines
- Available in grainline finish, mirror finish, or brass finish
- Available with cold plate assembly and insulated restriction lines for glycol recirculating system (specify suffix 'R' in the model number)
- Available in 1, 2, and 3 faucet sizes
- All models include all stainless steel faucets and shanks to resist corrosion and prevent metallic leaching, making them ideal for both draft beer and wine applications
- Unique internal support system for solid mounting
- Base plate serves as template for hole cutting
- Mounting holes will be pre-drilled at the factory if the host cooler is ordered with a finished top and the tower location is specified

NOTE: To convert standard faucet to stout style faucet, specify accessory model number BT-CFG and add \$270 List per faucet.

COLUMN TOWERS WITH DRAIN PAN AND 7/2" RESTRICTION LINES

GRAINLINE FINISH		MIRROR FINISH		BRASS FINISH**		FAUCETS	WGT	WIDTH	SYSTEM TYPE
MODEL	LIST	MODEL	LIST	MODEL	LIST				
CT-1-SS	\$1,084	CT-1-MF*	\$1,303	CT-1-PB*	\$2,021	1	13#	14"	Air Cooled
CT-1-SSR*	\$2,007	CT-1-MFR*	\$2,276	CT-1-PBR*	\$2,702	1	21#	14"	Glycol
CT-2-SS	\$1,456	CT-2-MF*	\$1,674	CT-2-PB*	\$2,409	2	15#	14"	Air Cooled
CT-2-SSR*	\$2,378	CT-2-MFR*	\$2,645	CT-2-PBR*	\$3,096	2	23#	14"	Glycol
CT-3-SS	\$1,827	CT-3-MF*	\$2,044	CT-3-PB*	\$2,800	3	18#	14"	Air Cooled
CT-3-SSR*	\$2,749	CT-3-MFR*	\$3,018	CT-3-PBR*	\$3,484	3	26#	14"	Glycol

*NOTE: These Column Towers are manufactured to order and are not returnable

**NOTE: Brass finish towers provided with mirror finish drain pan and brass finish perforated insert



RINSER FAUCET EXTENSION

Column tower drain pans can be manufactured with rinser faucet extensions to the left or right of the drain pan. A rinser faucet extension will add 5" to the overall length of the drain pan. Add the RFE upcharge when placing your order.

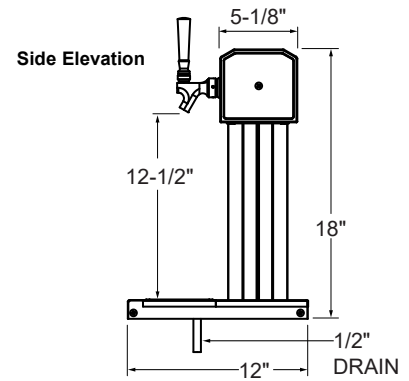
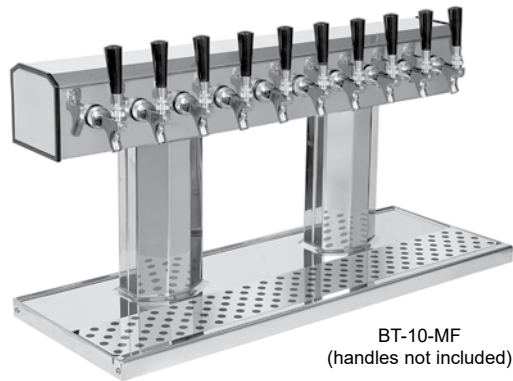
NOTE: Rinser faucets not intended for use with towers mounted to a refrigerator due to risk of water line freeze up.

MODEL	DESCRIPTION	LIST
RFE	Rinser faucet extension	\$719

Rinser faucet installation notes:

- Unit does not provide a 1" air gap.
- Must be installed with external backflow prevention to meet applicable federal, state, and local plumbing code requirements.
- Install in-line water pressure regulator (included).
- A separate shut-off valve is recommended (not included).

Beverage Dispensing



NOTE: To convert standard faucet to stout style faucet, specify accessory model number BT-CFG and add \$270 List per faucet.

TEE TOWERS WITH DRAIN PAN 72" RESTRICTION LINES

GRAINLINE FINISH		MIRROR FINISH		BRASS FINISH**		COLUMNS	FAUCETS	WGT	WIDTH	SYSTEMTYPE
MODEL	LIST	MODEL	LIST	MODEL	LIST					
BT-4-SS	\$2,228	BT-4-MF*	\$2,439	BT-4-PB*	\$3,284	1	4	23#	14"	Air Cooled
BT-4-SSR*	\$2,997	BT-4-MFR*	\$3,181	BT-4-PBR*	\$4,007	1	4	31#	14"	Glycol
BT-5-SS	\$2,651	BT-5-MF*	\$2,905	BT-5-PB*	\$3,807	1	5	27#	17"	Air Cooled
BT-5-SSR*	\$3,555	BT-5-MFR*	\$3,780	BT-5-PBR*	\$4,673	1	5	36#	17"	Glycol
BT-6-SS	\$3,073	BT-6-MF*	\$3,369	BT-6-PB*	\$4,325	1	6	31#	20"	Air Cooled
BT-6-SSR*	\$4,109	BT-6-MFR*	\$4,378	BT-6-PBR*	\$5,334	1	6	41#	20"	Glycol
BT-8-SS*	\$4,088	BT-8-MF*	\$4,464	BT-8-PB*	\$5,717	2	8	39#	26"	Air Cooled
BT-8-SSR*	\$5,396	BT-8-MFR*	\$5,744	BT-8-PBR*	\$7,119	2	8	51#	26"	Glycol
BT-10-SS*	\$4,934	BT-10-MF*	\$5,393	BT-10-PB*	\$6,759	2	10	57#	32"	Air Cooled
BT-10-SSR*	\$6,507	BT-10-MFR*	\$6,941	BT-10-PBR*	\$8,157	2	10	71#	32"	Glycol
BT-12-SS*	\$5,778	BT-12-MF*	\$6,323	BT-12-PB*	\$7,798	2	12	65#	38"	Air Cooled
BT-12-SSR*	\$7,627	BT-12-MFR*	\$8,137	BT-12-PBR*	\$9,198	2	12	81#	38"	Glycol

*NOTE: These Tee Towers are manufactured to order and are not returnable

**NOTE: Brass finish towers provided with mirror finish drain pan and brass finish perforated insert

PRODUCT INFORMATION (see BT Spec Sheet for complete details)

STANDARD FEATURES

- All stainless steel construction
- Integrated surface mount drain pan with lift-out perforated inserts
- 1/4" shanks with 3/16" restriction lines
- Available in grainline finish, mirror finish, or brass finish
- Available with cold plate assembly and insulated restriction lines for glycol recirculating system (specify suffix 'R' in the model number)
- Available in 4, 5, 6, 8, 10, and 12 faucet sizes
- All models include all stainless steel faucets and shanks to resist corrosion and prevent metallic leaching, making them ideal for both draft beer and wine applications
- Unique internal support system for solid mounting
- Base plate serves as template for hole cutting
- Mounting holes will be pre-drilled at the factory if the host cooler is ordered with a finished top and the tower location is specified

RINSER FAUCET EXTENSION

Tee tower drain pans can be manufactured with rinser faucet extensions to the left or right of the drain pan. A rinser faucet extension will add 5" to the overall length of the drain pan. Add the REF upcharge when placing your order.

NOTE: Rinsers are not intended for use with towers mounted to a refrigerator due to risk of water line freeze up.

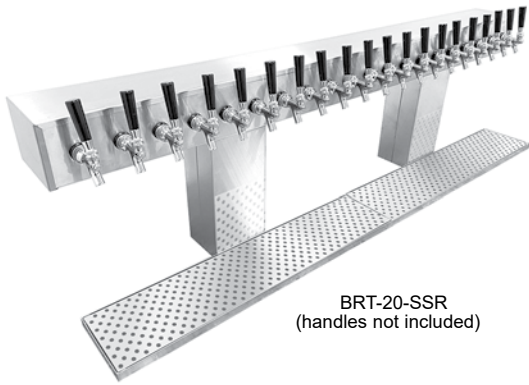


MODEL	DESCRIPTION	LIST
RFE	Rinsers faucet extension	\$719

Rinsers faucet installation notes:

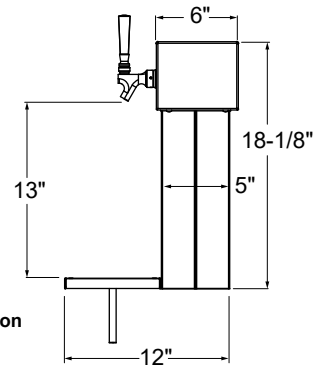
- Unit does not provide a 1" air gap.
- Must be installed with external backflow prevention to meet applicable federal, state, and local plumbing code requirements.
- Install in-line water pressure regulator (included).
- A separate shut-off valve is recommended (not included).

Beverage Dispensing



BRT-20-SSR
(handles not included)

NOTE: To convert standard faucet to stout style faucet, specify accessory model number BT-CFG and add \$270 List per faucet.



Side Elevation

BRIDGE TOWERS WITH DRAIN PAN AND 7/2" RESTRICTION LINES

GRAINLINE FINISH		MIRROR FINISH		BRASS FINISH**		COLUMNS	FAUCETS	WGT	WIDTH	SYSTEM TYPE
MODEL	LIST	MODEL	LIST	MODEL	LIST					
BRT-14-SS	\$6,960	BRT-14-MF	\$7,333	BRT-14-PB	\$9,129	2	14	70#	44"	Air Cooled †
BRT-14-SSR	\$8,429	BRT-14-MFR	\$8,805	BRT-14-PBR	\$10,601	2	14	84#	44"	Glycol
BRT-16-SS	\$7,654	BRT-16-MF	\$8,059	BRT-16-PB	\$10,018	2	16	77#	50"	Air Cooled †
BRT-16-SSR	\$9,242	BRT-16-MFR	\$9,646	BRT-16-PBR	\$11,607	2	16	93#	50"	Glycol
BRT-18-SS	\$8,382	BRT-18-MF	\$8,834	BRT-18-PB	\$10,958	2	18	77#	27"	Air Cooled †
BRT-18-SSR	\$10,051	BRT-18-MFR	\$10,501	BRT-18-PBR	\$12,627	2	18	103#	27"	Glycol
BRT-20-SSR	\$10,863	BRT-20-MFR	\$11,381	BRT-20-PBR	\$13,670	2	20	112#	62"	Glycol
BRT-24-SSR	\$13,771	BRT-24-MFR	\$14,372	BRT-24-PBR	\$17,253	3	24	140#	74"	Glycol
BRT-30-SSR	\$16,209	BRT-30-MFR	\$16,982	BRT-30-PBR	\$20,359	3	30	168#	92"	Glycol

PRODUCT INFORMATION (see BRT Spec Sheet for complete details)

STANDARD FEATURES

- All stainless steel construction
- Includes surface mount drain pan with lift-out perforated inserts
- 1/4" shanks with 3/16" restriction lines
- Available in grainline finish, mirror finish, or brass finish
- Available with cold plate assembly and insulated restriction lines for glycol recirculating system (specify suffix 'R' in the model number)
- Available in 14, 16, 18, 20, 24, and 30 faucet sizes
- Direct-draw air-cooled option available for 14, 16, and 18 faucet sizes†
- All models include all stainless steel faucets and shanks to resist corrosion and prevent metallic leaching, making them ideal for both draft beer and wine applications
- Mounting holes will be pre-drilled at the factory if the host cooler is ordered with a finished top and the tower location is specified

*NOTE: Bridge Towers are manufactured to order and are not returnable.

**NOTE: Brass finish towers provided with mirror finish drain pan and brass finish perforated insert.

†NOTE: Product is not intended for remote air-cooled installations

RINSER FAUCET EXTENSION

Bridge tower drain pans can be manufactured with rinser faucet extensions to the left or right of the drain pan. A rinser faucet extension will add 5" to the overall length of the drain pan. Add the RFE upcharge when placing your order.

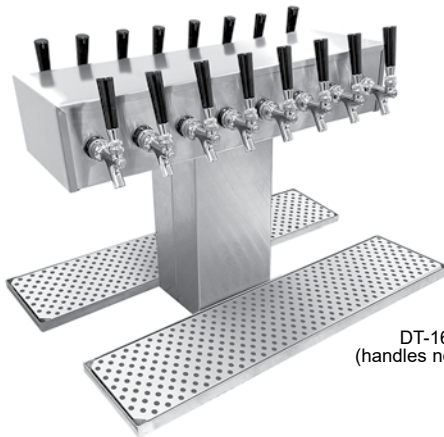
NOTE: Rinsers faucets not intended for use with towers mounted to a refrigerator due to risk of water line freeze up.

Rinsers faucet installation notes:

- Unit does not provide a 1" air gap.
- Must be installed with external backflow prevention to meet applicable federal, state, and local plumbing code requirements.
- Install in-line water pressure regulator (included).
- A separate shut-off valve is recommended (not included).

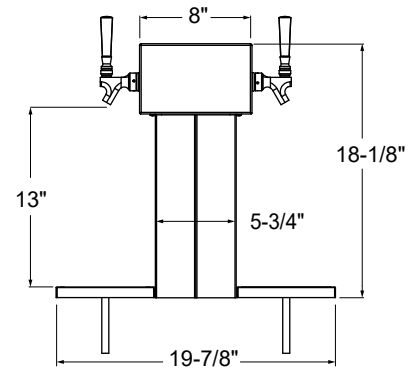
MODEL	DESCRIPTION	LIST
RFE	Rinsers faucet extension	\$719





DT-16-SSR
(handles not included)

NOTE: To convert standard faucet to stout style faucet, specify accessory model number BT-CFG and add \$270 List per faucet.



Side Elevation

DOUBLE-SIDED TOWERS WITH DRAIN PAN AND 72" RESTRICTION LINES

GRAINLINE FINISH		MIRROR FINISH		BRASS FINISH**		COLUMNS	FAUCETS	WGT	WIDTH	SYSTEM TYPE
MODEL	LIST	MODEL	LIST	MODEL	LIST					
DT-16-SSR	\$8,455	DT-16-MFR	\$8,830	DT-16-PBR	\$10,202	1	16	70#	16"	Glycol
DT-20-SSR	\$9,994	DT-20-MFR	\$10,479	DT-20-PBR	\$12,079	1	20	85#	20"	Glycol
DT-24-SSR	\$13,487	DT-24-MFR	\$14,042	DT-24-PBR	\$16,173	2	24	109#	24"	Glycol
DT-32-SSR	\$16,706	DT-32-MFR	\$17,444	DT-32-PBR	\$20,029	2	32	140#	32"	Glycol
DT-36-SSR	\$18,233	DT-36-MFR	\$19,063	DT-36-PBR	\$21,876	2	36	155#	36"	Glycol
DT-40-SSR	\$19,800	DT-40-MFR	\$20,759	DT-40-PBR	\$23,798	2	40	170#	40"	Glycol

PRODUCT INFORMATION (see DT Spec Sheet for complete details)

STANDARD FEATURES

- All stainless steel construction
- Includes surface mount drain pans with lift-out perforated inserts
- 1/4" shanks with 3/16" restriction lines
- Available in grainline finish, mirror finish, or brass finish
- Includes cold plate assembly and insulated restriction lines for glycol recirculating system
- Available in 16, 20, 24, 32, 36, and 40 faucet sizes

- All models include all stainless steel faucets and shanks to resist corrosion and prevent metallic leaching, making them ideal for both draft beer and wine applications

*NOTE: Double-Sided Towers are manufactured to order and are not returnable.

**NOTE: Brass finish towers provided with mirror finish drain pan and brass finish perforated insert

RINSER FAUCET EXTENSION

Double-Sided tower drain pans can be manufactured with rinsers faucet extensions to the left or right of the drain pan. A rinsers faucet extension will add 5" to the overall length of the drain pan. Add the RFE upcharge when placing your order.

NOTE: Rinsers faucets not intended for use with towers mounted to a refrigerator due to risk of water line freeze up.

Rinsers faucet installation notes:

- Unit does not provide a 1" air gap.
- Must be installed with external backflow prevention to meet applicable federal, state, and local plumbing code requirements.
- Install in-line water pressure regulator (included).
- A separate shut-off valve is recommended (not included).

MODEL	DESCRIPTION	LIST
RFE	Rinsers faucet extension	\$719

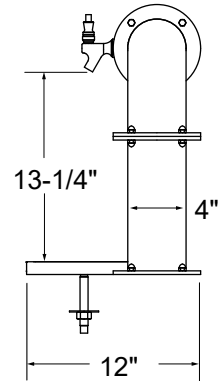


Beverage Dispensing



PB-14-SSR
(handles not included)

NOTE: To convert standard faucet to stout style faucet, specify accessory model number BT-CFG and add \$270 List per faucet.



Side Elevation

PIPE BRIDGE TOWERS WITH DRAIN PANS

GRAINLINE FINISH		MIRROR FINISH		FAUCETS	WGT	WIDTH
MODEL	LIST	MODEL	LIST			
PB-6-SSR	\$13,396	PB-6-MFR	\$14,867	6	63#	45-1/4"
PB-8-SSR	\$14,586	PB-8-MFR	\$16,101	8	68#	51-1/4"
PB-10-SSR	\$15,766	PB-10-MFR	\$17,331	10	74#	57-1/4"
PB-12-SSR	\$16,949	PB-12-MFR	\$18,559	12	80#	63-1/4"
PB-14-SSR	\$18,159	PB-14-MFR	\$19,816	14	85#	69-1/4"
PB-16-SSR	\$19,352	PB-16-MFR	\$21,058	16	91#	75-1/4"

PRODUCT INFORMATION

(see PB Spec Sheet for complete details)

STANDARD FEATURES

- All stainless steel construction
- Includes surface mount drain pans with lift-out perforated inserts
- 1/4" shanks with 3/16" restriction lines
- Available in grainline finish or mirror finish
- Glycol cooled for recirculating system
- Available in 6, 8, 10, 12, 14, and 16 faucet sizes
- All models include all stainless steel faucets and shanks to resist corrosion and prevent metallic leaching, making them ideal for both draft beer and wine applications

*NOTE: Pipe Bridge Towers are manufactured to order and are not returnable.

RINSER FAUCET EXTENSION

Pipe Bridge Tower rinsers faucet extension drain pans are manufactured to position the rinsers faucet at the center of the tower. Add the appropriate RFE upcharge when placing your order.

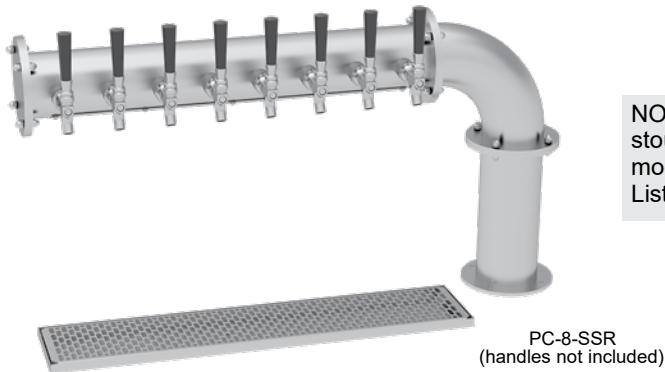
NOTE: Rinsers faucets not intended for use with towers mounted to a refrigerator due to risk of water line freeze up.

Rinsers faucet installation notes:

- Unit does not provide a 1" air gap.
- Must be installed with external backflow prevention to meet applicable federal, state, and local plumbing code requirements.
- Install in-line water pressure regulator (included).
- A separate shut-off valve is recommended (not included).

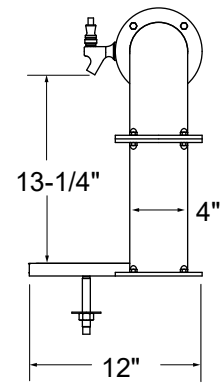
MODEL	DESCRIPTION	LIST
RFE	Rinsers faucet extension	\$719



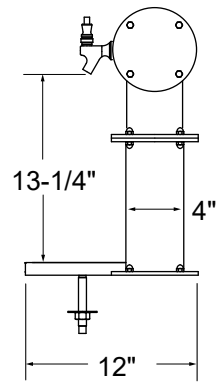


NOTE: To convert standard faucet to stout style faucet, specify accessory model number BT-CFG and add \$270 List per faucet.

Side Elevation



Left Orientation



Right Orientation

PIPE CANTILEVER TOWERS WITH DRAIN PAN

GRAINLINE FINISH		MIRROR FINISH		FAUCETS	WGT	WIDTH
MODEL	LIST	MODEL	LIST			
PC-4-SSR	\$6,736	PC-4-MFR	\$7,277	4	32#	23"
PC-6-SSR	\$7,918	PC-6-MFR	\$8,510	6	38#	29"
PC-8-SSR	\$9,129	PC-8-MFR	\$9,759	8	44#	35"

PRODUCT INFORMATION

(see PC Spec Sheet for complete details)

STANDARD FEATURES

- All stainless steel construction
- Includes surface mount drain pan with lift-out perforated inserts
- 1/4" shanks with 3/16" restriction lines
- Available in grainline finish or mirror finish
- Glycol cooled for recirculating system
- Available in 4, 6, and 8 faucet sizes
- All models include all stainless steel faucets and shanks to resist corrosion and prevent metallic leaching, making them ideal for both draft beer and wine applications

*NOTE: Pipe Cantilever Towers are manufactured to order and are not returnable.

RINSER FAUCET EXTENSION

Pipe Cantilever Tower drain pans are manufactured with rinser faucet extensions to the left or right of the drain pan, dependent on the tower orientation. A rinser faucet extension will add to the overall length of the drain pan. Add the appropriate RFE upcharge when placing your order.

NOTE: Rinsler faucets not intended for use with towers mounted to a refrigerator due to risk of water line freeze up.

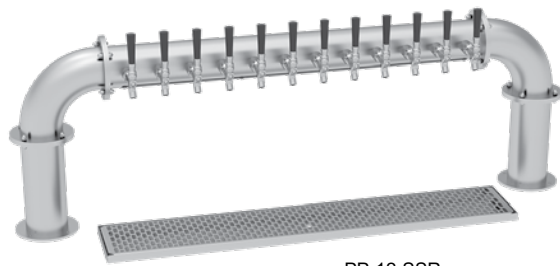
Rinsler faucet installation notes:

- Unit does not provide a 1" air gap.
- Must be installed with external backflow prevention to meet applicable federal, state, and local plumbing code requirements.
- Install in-line water pressure regulator (included).
- A separate shut-off valve is recommended (not included).

MODEL	DESCRIPTION	LIST
RFE	Rinsler faucet extension	\$719

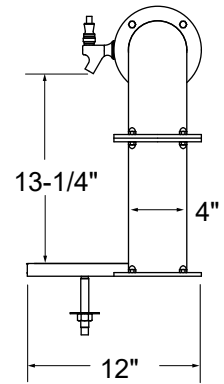


Beverage Dispensing



PP-12-SSR
(handles not included)

NOTE: To convert standard faucet to stout style faucet, specify accessory model number BT-CFG and add \$270 List per faucet.



Side Elevation

PIPE PASS-THRU TOWERS WITH DRAIN PAN

GRAINLINE FINISH		MIRROR FINISH		FAUCETS	WGT	WIDTH
MODEL	LIST	MODEL	LIST			
PP-4-SSR	\$8,005	PP-4-MFR	\$8,905	4	44#	31-1/4"
PP-6-SSR	\$9,103	PP-6-MFR	\$10,047	6	49#	37-1/4"
PP-8-SSR	\$10,217	PP-8-MFR	\$11,206	8	54#	43-1/4"
PP-10-SSR	\$11,433	PP-10-MFR	\$12,469	10	61#	49-1/4"
PP-12-SSR	\$12,534	PP-12-MFR	\$13,615	12	67#	55-1/4"
PP-14-SSR	\$13,683	PP-14-MFR	\$14,804	14	73#	61-1/4"
PP-16-SSR	\$14,817	PP-16-MFR	\$15,980	16	78#	67-1/4"

PRODUCT INFORMATION

(see PP Spec Sheet for complete details)

STANDARD FEATURES

- All stainless steel construction
- Includes surface mount drain pan with lift-out perforated inserts
- 1/4" shanks with 3/16" restriction lines
- Available in grainline finish or mirror finish
- Glycol cooled for recirculating system
- Available in 4, 6, 8, 10, 12, 14, and 16 faucet sizes
- All models include all stainless steel faucets and shanks to resist corrosion and prevent metallic leaching, making them ideal for both draft beer and wine applications

*NOTE: Pipe Pass-Thru Towers are manufactured to order and are not returnable.

RINSER FAUCET EXTENSION

Pipe Pass-Thru Tower drain pans can be manufactured with rinsers faucet extensions to the left, right, or both sides of the drain pan. A rinsers faucet extension will add to the overall length of the drain pan. Add the appropriate RFE upcharge when placing your order.

NOTE: Rinsers faucets not intended for use with towers mounted to a refrigerator due to risk of water line freeze up.

Rinsers faucet installation notes:

- Unit does not provide a 1" air gap.
- Must be installed with external backflow prevention to meet applicable federal, state, and local plumbing code requirements.
- Install in-line water pressure regulator (included).
- A separate shut-off valve is recommended (not included).

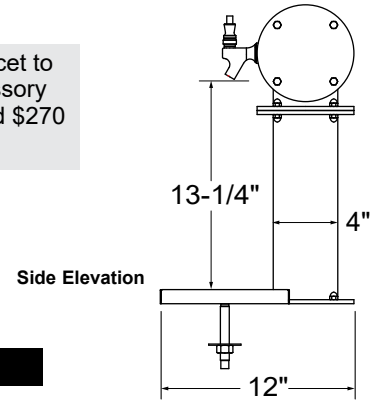
MODEL	DESCRIPTION	LIST
RFE	Rinsers faucet extension	\$719





PT-14-SSR
(handles not included)

NOTE: To convert standard faucet to stout style faucet, specify accessory model number BT-CFG and add \$270 List per faucet.



Side Elevation

PIPE TEE TOWERS WITH DRAIN PANS

GRAINLINE FINISH		MIRROR FINISH		FAUCETS	WGT	WIDTH
MODEL	LIST	MODEL	LIST			
PT-6-SSR	\$9,607	PT-6-MFR	\$10,219	6	45#	28-3/4"
PT-8-SSR	\$10,794	PT-8-MFR	\$11,437	8	51#	39-3/4"
PT-10-SSR	\$11,974	PT-10-MFR	\$12,682	10	56#	45-3/4"
PT-12-SSR	\$13,160	PT-12-MFR	\$13,910	12	62#	51-3/4"
PT-14-SSR	\$14,369	PT-14-MFR	\$15,167	14	68#	57-3/4"
PT-16-SSR	\$15,559	PT-16-MFR	\$16,406	16	73#	63-3/4"

PRODUCT INFORMATION

(see PT Spec Sheet for complete details)

STANDARD FEATURES

- All stainless steel construction
- Includes surface mount drain pans with lift-out perforated inserts
- 1/4" shanks with 3/16" restriction lines
- Available in grainline finish or mirror finish
- Glycol cooled for recirculating system
- Available in 6, 8, 10, 12, 14, and 16 faucet sizes
- All models include all stainless steel faucets and shanks to resist corrosion and prevent metallic leaching, making them ideal for both draft beer and wine applications

*NOTE: Pipe Tee Towers are manufactured to order and are not returnable.

RINSER FAUCET EXTENSION

Pipe Tee Tower rinsers faucet extension drain pans are manufactured to position the rinsers faucet at the center of the tower. Add the appropriate RFE upcharge when placing your order.

NOTE: Rinsers faucets not intended for use with towers mounted to a refrigerator due to risk of water line freeze up.

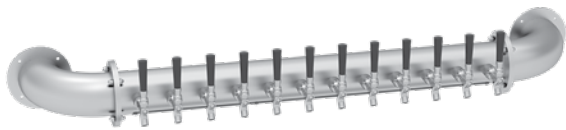
Rinsers faucet installation notes:

- Unit does not provide a 1" air gap.
- Must be installed with external backflow prevention to meet applicable federal, state, and local plumbing code requirements.
- Install in-line water pressure regulator (included).
- A separate shut-off valve is recommended (not included).

MODEL	DESCRIPTION	LIST
RFE	Rinsers faucet extension	\$719

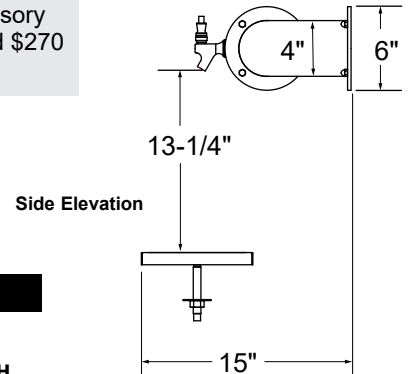


Beverage Dispensing



PW-12-SSR
(handles not included)

NOTE: To convert standard faucet to stout style faucet, specify accessory model number BT-CFG and add \$270 List per faucet.



PIPE WALL TOWERS WITH DRAIN PAN

GRAINLINE FINISH		MIRROR FINISH		FAUCETS	WGT	WIDTH
MODEL	LIST	MODEL	LIST			
PW-4-SSR	\$6,127	PW-4-MFR	\$7,030	4	33#	31-1/4"
PW-6-SSR	\$7,229	PW-6-MFR	\$8,173	6	39#	37-1/4"
PW-8-SSR	\$8,307	PW-8-MFR	\$9,299	8	44#	43-1/4"
PW-10-SSR	\$9,558	PW-10-MFR	\$10,592	10	51#	49-1/4"
PW-12-SSR	\$10,659	PW-12-MFR	\$11,737	12	56#	55-1/4"
PW-14-SSR	\$11,746	PW-14-MFR	\$12,864	14	62#	61-1/4"
PW-16-SSR	\$12,875	PW-16-MFR	\$14,035	16	68#	67-1/4"

PRODUCT INFORMATION

(see PW Spec Sheet for complete details)

STANDARD FEATURES

- All stainless steel construction
- Includes surface mount drain pan with lift-out perforated inserts
- 1/4" shanks with 3/16" restriction lines
- Available in grainline finish or mirror finish
- Glycol cooled for recirculating system
- Available in 4, 6, 8, 10, 12, 14, and 16 faucet sizes
- All models include all stainless steel faucets and shanks to resist corrosion and prevent metallic leaching, making them ideal for both draft beer and wine applications

*NOTE: Pipe Wall Towers are manufactured to order and are not returnable.

RINSER FAUCET EXTENSION

Pipe Wall Tower drain pans can be manufactured with rinser faucet extensions to the left, right, or both sides of the drain pan. A rinser faucet extension will add to the overall length of the drain pan. Add the appropriate RFE upcharge when placing your order.

NOTE: Rinsers faucets not intended for use with towers mounted to a refrigerator due to risk of water line freeze up.

Rinsers faucet installation notes:

- Unit does not provide a 1" air gap.
- Must be installed with external backflow prevention to meet applicable federal, state, and local plumbing code requirements.
- Install in-line water pressure regulator (included).
- A separate shut-off valve is recommended (not included).

MODEL	DESCRIPTION	LIST
RFE	Rinsers faucet extension	\$719





SM-DP8X23

DROP-IN DRAIN PANS

MODEL	OVERALL DIMENSIONS	LIST	WEIGHT
SM-DP8X11	8" x 11"	\$515	5#
SM-DP8X14	8" x 14"	\$530	6#
SM-DP8X17	8" x 17"	\$546	7#
SM-DP8X20	8" x 20"	\$562	8#
SM-DP8X23	8" x 23"	\$577	9#
SM-DP8X26	8" x 26"	\$593	10#
SM-DP8X32	8" x 32"	\$624	12#
SM-DP8X38	8" x 38"	\$655	14#
SM-DP8X44	8" x 44"	\$730	16#
SM-DP8X50	8" x 50"	\$805	18#
SM-DP8X56	8" x 56"	\$957	20#
SM-DP8X62	8" x 62"	\$1,160	22#

CONFIGURABLE OPTIONS

One rinser faucet	\$413
Two rinser faucets	\$826

RINSER FAUCET OPTIONS

MODEL	A	B	NONE	ONE	TWO
SM-DP8X11	11"	5-1/2"	X	-	-
SM-DP8X14	14"	7"	X	-	-
SM-DP8X17	17"	8-1/2"	X	-	-
SM-DP8X20	20"	10"	X	X	-
SM-DP8X23	23"	11-1/2"	X	-	-
SM-DP8X26	26"	13"	X	X	X
SM-DP8X32	32"	16"	X	X	X
SM-DP8X38	38"	19"	X	X	X
SM-DP8X44	44"	22"	X	X	X
SM-DP8X50	50"	25"	X	X	X
SM-DP8X56	56"	28"	-	X	X
SM-DP8X62	62"	31"	-	-	X

PRODUCT INFORMATION

(see SM-DP Spec Sheet for complete details)

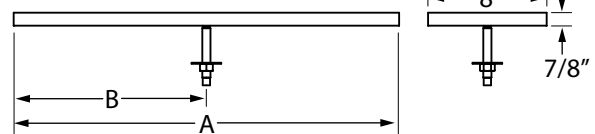
STANDARD FEATURES

- All stainless steel
- 20 gauge stainless steel pan with removable perforated inserts
- Drain consists of 1/2" threaded tailpiece that exits from the bottom of the unit

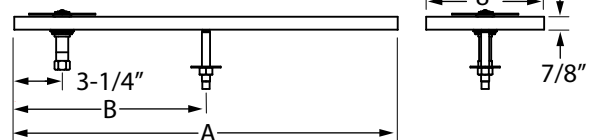
*NOTE: Surface-Mount Drain Pans are manufactured to order and are not returnable.

Side Elevations

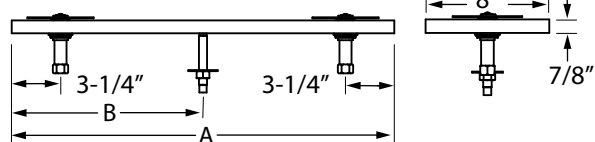
With no rinser faucet



With one rinser faucet



With two rinser faucets



Rinser Faucet Installation Notes

- Unit does not provide a 1" air gap.
- Must be installed with external backflow prevention to meet applicable federal, state, and local plumbing code requirements.
- Install in-line water pressure regulator (included).
- A separate shut-off valve is recommended (not included).

Beverage Dispensing



CBT-4-MFR
(handles not included)

NOTE: To convert standard faucet to stout style faucet, specify accessory model number BT-CFG and add \$270 List per faucet.

*NOTE: Cobra Towers are manufactured to order and are not returnable.

**NOTE: Brass finish towers provided with mirror finish drain pan and brass finish perforated insert

COBRA TOWERS WITH DRAIN PAN AND 72" RESTRICTION LINES

MIRROR FINISH		BRASS FINISH**		FAUCETS	WGT	WIDTH	SYSTEM TYPE
MODEL	LIST	MODEL	LIST				
CBT-1-MF	\$3,526	CBT-1-GF	\$3,531	1	18#	14"	Air Cooled
CBT-1-MFR	\$3,250	CBT-1-GFR	\$3,346	1	18#	14"	Glycol
CBT-2-MF	\$4,436	CBT-2-GF	\$4,763	2	19#	14"	Air Cooled
CBT-2-MFR	\$4,191	CBT-2-GFR	\$4,585	2	19#	14"	Glycol
CBT-3-MF	\$5,441	CBT-3-GF	\$5,698	3	20#	18"	Air Cooled
CBT-3-MFR	\$5,202	CBT-3-GFR	\$5,529	3	20#	18"	Glycol
CBT-4-MF	\$6,658	CBT-4-GF	\$6,830	4	21#	18"	Air Cooled
CBT-4-MFR	\$6,070	CBT-4-GFR	\$6,667	4	21#	18"	Glycol

PRODUCT INFORMATION (see CBT Spec Sheet for complete details)

STANDARD FEATURES

- Integrated surface mount drain pan with lift-out perforated inserts
- 1/4" shanks with 3/16" restriction lines
- Available in mirror finish or gold finish.
- Available with insulated cold plate assembly for recirculating system
- Mounting hardware for top thickness up to 4" (see Configurable Options for additional top thicknesses)
- All models include all stainless steel faucets and shanks to resist corrosion and prevent metallic leaching, making them ideal for both draft beer and wine applications

- Available with rinsers faucet extension to the left or right of the drain pan. Specify RFE accessory
- Mounting holes will be pre-drilled at the factory if the host cooler is ordered with a finished top and the tower location is specified

CONFIGURABLE OPTIONS - MOUNTING HARDWARE

Top thicknesses up to 6"	\$81
Top thicknesses up to 8"	\$224

RINSER FAUCET EXTENSION

COBRA tower drain pans can be manufactured with rinsers faucet extensions to the left or right of the drain pan. A rinsers faucet extension will add 5" to the overall length of the drain pan. Add the RFE upcharge when placing your order.

NOTE: Rinsers faucets not intended for use with towers mounted to a refrigerator due to risk of water line freeze up.

Rinsers faucet installation notes:

- Unit does not provide a 1" air gap.
- Must be installed with external backflow prevention to meet applicable federal, state, and local plumbing code requirements.
- Install in-line water pressure regulator (included).
- A separate shut-off valve is recommended (not included).

MODEL	DESCRIPTION	LIST
RFE	Rinsers faucet extension	\$719

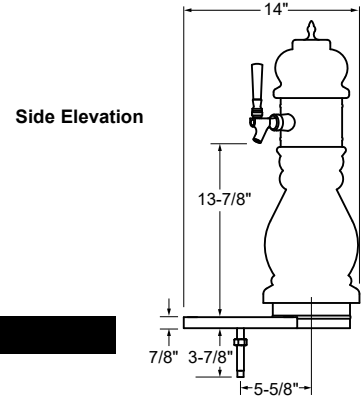
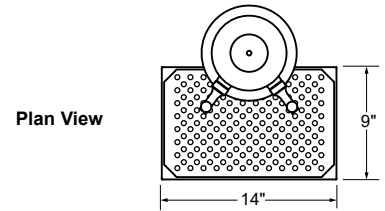




BFT-3-MF
(handles not included)

NOTE: To convert standard faucet to stout style faucet, specify accessory model number BT-CFG and add \$270 List per faucet.

*NOTE: Black Forest Towers are manufactured to order and are not returnable.
**NOTE: Brass finish towers provided with mirror finish drain pan and brass finish perforated insert



BLACK FOREST TOWERS WITH DRAIN PAN AND 72" RESTRICTION LINES

MIRROR FINISH		POLISHED BRASS FINISH**		FAUCETS	WGT	WIDTH	SYSTEM TYPE
MODEL	LIST	MODEL	LIST				
BFT-2-MF	\$7,510	BFT-2-PB	\$7,598	2	48#	14"	Air Cooled
BFT-2-MFR	\$7,744	BFT-2-PBR	\$7,833	2	48#	14"	Glycol
BFT-3-MF	\$8,601	BFT-3-PB	\$8,713	3	48#	14"	Air Cooled
BFT-3-MFR	\$8,831	BFT-3-PBR	\$8,943	3	48#	14"	Glycol

PRODUCT INFORMATION (see BFT Spec Sheet for complete details)

STANDARD FEATURES

- 1/4" stainless steel shanks with 3/16" restriction lines
- All stainless steel faucets
- Surface-mount, stainless steel drain pan with removable, perforated insert

Configurable Options

- 2 or 3 faucets
- Mirror or polished brass finish
- Air cooled for direct-draw system or glycol cooled for recirculating system
- Numerous ceramic color finishes; consult factory for details
- Rinser faucet extension to the left or right of the drain pan; specify RFE option

RINSER FAUCET EXTENSION

Black forest tower drain pans can be manufactured with rinser faucet extensions to the left or right of the drain pan. A rinser faucet extension will add 5" to the overall length of the drain pan. Add the RFE upcharge when placing your order.

NOTE: Rinser faucets not intended for use with towers mounted to a refrigerator due to risk of water line freeze up.

Rinser faucet installation notes:

- Unit does not provide a 1" air gap.
- Must be installed with external backflow prevention to meet applicable federal, state, and local plumbing code requirements.
- Install in-line water pressure regulator (included).
- A separate shut-off valve is recommended (not included).

MODEL	DESCRIPTION	LIST
RFE	Rinser faucet extension	\$719



Beverage Dispensing

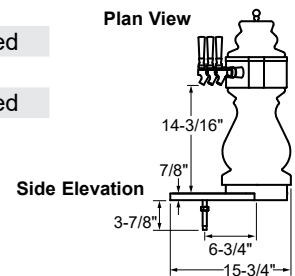
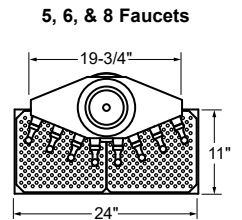
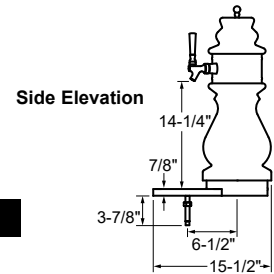
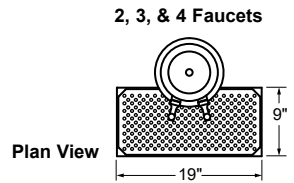


BM-2-MF
(handles not included)

NOTE: To convert standard faucet to stout style faucet, specify accessory model number BT-CFG and add \$270 List per faucet.

*NOTE: Braumeister Towers are manufactured to order and are not returnable.

**NOTE: Brass finish towers provided with mirror finish drain pan and brass finish perforated insert



BRAUMEISTER TOWERS WITH DRAIN PAN AND 72" RESTRICTION LINES

MIRROR FINISH		POLISHED BRASS FINISH**		FAUCETS	WGT	WIDTH	SYSTEM TYPE
MODEL	LIST	MODEL	LIST				
BM-2-MF	\$7,552	BM-2-PB	\$7,670	2	48#	19"	Air Cooled
BM-2-MFR	\$7,785	BM-2-PBR	\$7,904	2	48#	19"	Glycol
BM-3-MF	\$8,607	BM-3-PB	\$8,725	3	48#	19"	Air Cooled
BM-3-MFR	\$8,838	BM-3-PBR	\$8,954	3	48#	19"	Glycol
BM-4-MF	\$8,941	BM-4-PB	\$9,058	4	48#	19"	Air Cooled
BM-4-MFR	\$9,417	BM-4-PBR	\$9,535	4	48#	19"	Glycol
BM-5-MF	\$11,722	BM-5-PB	\$11,907	5	101#	24"	Air Cooled
BM-5-MFR	\$12,194	BM-5-PBR	\$12,379	5	101#	24"	Glycol
BM-6-MF	\$12,593	BM-6-PB	\$12,778	6	101#	24"	Air Cooled
BM-6-MFR	\$13,101	BM-6-PBR	\$13,230	6	101#	24"	Glycol
BM-8-MF	\$14,125	BM-8-PB	\$14,311	8	101#	24"	Air Cooled
BM-8-MFR	\$14,590	BM-8-PBR	\$14,775	8	101#	24"	Glycol

PRODUCT INFORMATION (see BM Spec Sheet for complete details)

STANDARD FEATURES

- 1/4" stainless steel shanks with 3/16" restriction lines
- All stainless steel faucets
- Surface-mount, stainless steel drain pan with removable, perforated insert

Configurable Options

- 2, 3, 4, 5, 6, or 8 faucets
- Mirror or polished brass finish
- Air cooled for direct-draw system or glycol cooled for recirculating system
- Numerous ceramic color finishes; consult factory for details
- Rinser faucet extension to the left or right of the drain pan; specify RFE option

Beverage Dispensing

RINSER FAUCET EXTENSION

Braumeister tower drain pans can be manufactured with rinser faucet extensions to the left or right of the drain pan. A rinser faucet extension will add 5" to the overall length of the drain pan. Add the RFE upcharge when placing your order.

NOTE: Rinser faucets not intended for use with towers mounted to a refrigerator due to risk of water line freeze up.

Rinser faucet installation notes:

- Unit does not provide a 1" air gap.
- Must be installed with external backflow prevention to meet applicable federal, state, and local plumbing code requirements.
- Install in-line water pressure regulator (included).
- A separate shut-off valve is recommended (not included).

MODEL	DESCRIPTION	LIST
RFE	Rinser faucet extension	\$719

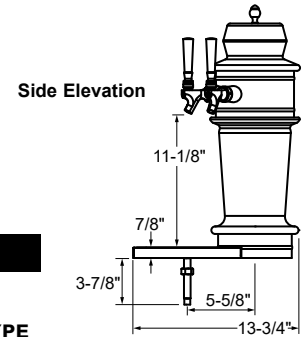
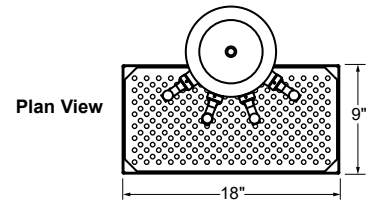




NOTE: To convert standard faucet to stout style faucet, specify accessory model number BT-CFG and add \$270 List per faucet.

*NOTE: Monaco Towers are manufactured to order and are not returnable.
 **NOTE: Brass finish towers provided with mirror finish drain pan and brass finish perforated insert

MCT-2-PB
 (handles not included)



MONACO TOWERS WITH DRAIN PAN AND 72" RESTRICTION LINES

MIRROR FINISH		POLISHED BRASS FINISH**		FAUCETS	WGT	WIDTH	SYSTEM TYPE
MODEL	LIST	MODEL	LIST				
MCT-2-MF	\$7,510	MCT-2-PB	\$7,598	2	48#	18"	Air Cooled
MCT-2-MFR	\$7,744	MCT-2-PBR	\$7,833	2	48#	18"	Glycol
MCT-3-MF	\$8,601	MCT-3-PB	\$8,713	3	48#	18"	Air Cooled
MCT-3-MFR	\$8,831	MCT-3-PBR	\$8,943	3	48#	18"	Glycol
MCT-4-MF	\$8,934	MCT-4-PB	\$9,046	4	48#	18"	Air Cooled
MCT-4-MFR	\$9,410	MCT-4-PBR	\$9,524	4	48#	18"	Glycol

PRODUCT INFORMATION (see MCT Spec Sheet for complete details)

STANDARD FEATURES

- 1/4" stainless steel shanks with 3/16" restriction lines
- All stainless steel faucets
- Surface-mount, stainless steel drain pan with removable, perforated insert

Configurable Options

- 2, 3, or 4 faucets
- Mirror or polished brass finish
- Air cooled for direct-draw system or glycol cooled for recirculating system
- Numerous ceramic color finishes; consult factory for details
- Rinser faucet extension to the left or right of the drain pan; specify RFE option

RINSER FAUCET EXTENSION

Monaco tower drain pans can be manufactured with rinser faucet extensions to the left or right of the drain pan. A rinser faucet extension will add 5" to the overall length of the drain pan. Add the RFE upcharge when placing your order.

NOTE: Rinser faucets not intended for use with towers mounted to a refrigerator due to risk of water line freeze up.

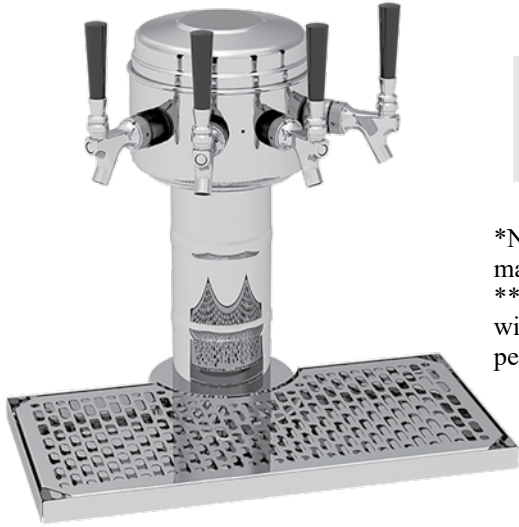
Rinser faucet installation notes:

- Unit does not provide a 1" air gap.
- Must be installed with external backflow prevention to meet applicable federal, state, and local plumbing code requirements.
- Install in-line water pressure regulator (included).
- A separate shut-off valve is recommended (not included).

MODEL	DESCRIPTION	LIST
RFE	Rinser faucet extension	\$719



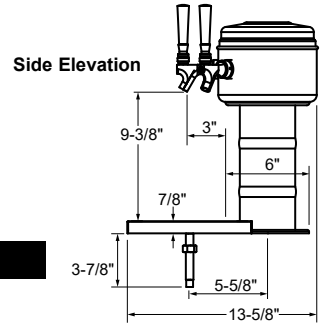
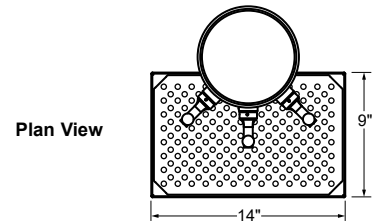
Beverage Dispensing



NOTE: To convert standard faucet to stout style faucet, specify accessory model number BT-CFG and add \$270 List per faucet.

*NOTE: Mini Mushroom Towers are manufactured to order and are not returnable.
**NOTE: Brass finish towers provided with mirror finish drain pan and brass finish perforated insert

MMT-4-MF
(handles not included)



MINI MUSHROOM TOWERS WITH DRAIN PAN AND 72" RESTRICTION LINES

MIRROR FINISH		POLISHED BRASS FINISH**		FAUCETS	WGT	WIDTH	SYSTEM TYPE
MODEL	LIST	MODEL	LIST				
MMT-3-MF	\$6,266	MMT-3-PB	\$6,945	3	26#	14"	Air Cooled
MMT-3-MFR	\$6,834	MMT-3-PBR	\$7,742	3	26#	14"	Glycol
MMT-4-MF	\$6,752	MMT-4-PB	\$7,335	4	26#	14"	Air Cooled
MMT-4-MFR	\$7,388	MMT-4-PBR	\$8,010	4	26#	14"	Glycol
MMT-5-MF	\$7,290	MMT-5-PB	\$7,898	5	26#	14"	Air Cooled
MMT-5-MFR	\$7,925	MMT-5-PBR	\$8,788	5	26#	14"	Glycol

PRODUCT INFORMATION (see MMT Spec Sheet for complete details)

STANDARD FEATURES

- 1/4" stainless steel shanks with 3/16" restriction lines
- All stainless steel faucets
- Surface-mount, stainless steel drain pan with removable, perforated insert

Configurable Options

- 3, 4, or 5 faucets
- Mirror or polished brass finish
- Air cooled for direct-draw system or glycol cooled for recirculating system
- Rinser faucet extension to the left or right of the drain pan; specify RFE option

RINSER FAUCET EXTENSION

Mini Mushroom tower drain pans can be manufactured with rinser faucet extensions to the left or right of the drain pan. A rinser faucet extension will add 5" to the overall length of the drain pan. Add the RFE upcharge when placing your order.

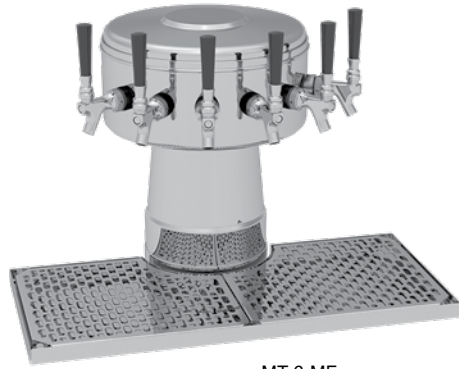
NOTE: Rinser faucets not intended for use with towers mounted to a refrigerator due to risk of water line freeze up.

Rinser faucet installation notes:

- Unit does not provide a 1" air gap.
- Must be installed with external backflow prevention to meet applicable federal, state, and local plumbing code requirements.
- Install in-line water pressure regulator (included).
- A separate shut-off valve is recommended (not included).

MODEL	DESCRIPTION	LIST
RFE	Rinser faucet extension	\$719

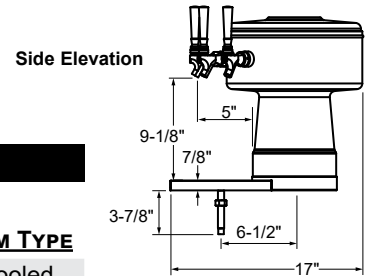
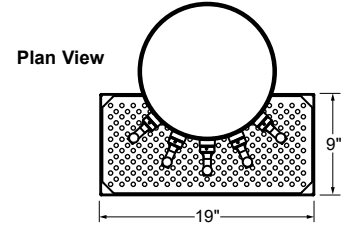




MT-6-MF
(handles not included)

NOTE: To convert standard faucet to stout style faucet, specify accessory model number BT-CFG and add \$270 List per faucet.

*NOTE: Mushroom Towers are manufactured to order and are not returnable.
**NOTE: Brass finish towers provided with mirror finish drain pan and brass finish perforated insert



MUSHROOM TOWERS WITH DRAIN PAN AND 7/2" RESTRICTION LINES

MIRROR FINISH		POLISHED BRASS FINISH**		FAUCETS	WGT	WIDTH	SYSTEM TYPE
MODEL	LIST	MODEL	LIST				
MT-4-MF	\$7,578	MT-4-PB	\$9,115	4	37#	19"	Air Cooled
MT-4-MFR	\$9,392	MT-4-PBR	\$9,513	4	37#	19"	Glycol
MT-5-MF	\$7,893	MT-5-PB	\$9,572	5	37#	19"	Air Cooled
MT-5-MFR	\$8,407	MT-5-PBR	\$10,118	5	37#	19"	Glycol
MT-6-MF	\$8,440	MT-6-PB	\$10,642	6	37#	19"	Air Cooled
MT-6-MFR	\$9,098	MT-6-PBR	\$11,337	6	37#	19"	Glycol

PRODUCT INFORMATION (see MT Spec Sheet for complete details)

STANDARD FEATURES

- 1/4" stainless steel shanks with 3/16" restriction lines
- All stainless steel faucets
- Surface-mount, stainless steel drain pan with removable, perforated insert

Configurable Options

- 4, 5, or 6 faucets
- Mirror or polished brass finish
- Air cooled for direct-draw system or glycol cooled for recirculating system
- Rinser faucet extension to the left or right of the drain pan; specify RFE option

RINSER FAUCET EXTENSION

Mushroom tower drain pans can be manufactured with rinser faucet extensions to the left or right of the drain pan. A rinser faucet extension will add 5" to the overall length of the drain pan. Add the RFE upcharge when placing your order.

NOTE: Rinser faucets not intended for use with towers mounted to a refrigerator due to risk of water line freeze up.

Rinser faucet installation notes:

- Unit does not provide a 1" air gap.
- Must be installed with external backflow prevention to meet applicable federal, state, and local plumbing code requirements.
- Install in-line water pressure regulator (included).
- A separate shut-off valve is recommended (not included).

MODEL	DESCRIPTION	LIST
RFE	Rinser faucet extension	\$719

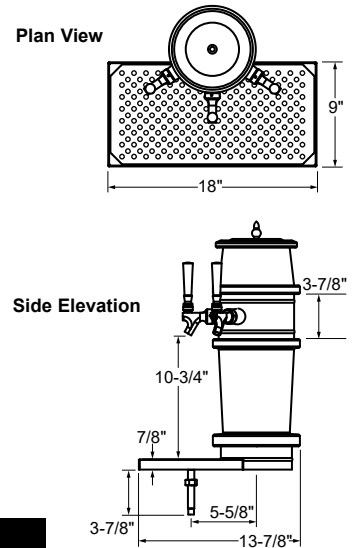




RBT-3-MF
(handles not included)

NOTE: To convert standard faucet to stout style faucet, specify accessory model number BT-CFG and add \$270 List per faucet.

*NOTE: Roman Towers are manufactured to order and are not returnable.
**NOTE: Brass finish towers provided with mirror finish drain pan and brass finish perforated insert



ROMAN TOWERS WITH DRAIN PAN AND 72" RESTRICTION LINES

MIRROR FINISH		POLISHED BRASS FINISH**		FAUCETS	WGT	WIDTH	SYSTEM TYPE
MODEL	LIST	MODEL	LIST				
RBT-2-MF	\$7,510	RBT-2-PB	\$7,598	2	48#	18"	Air Cooled
RBT-2-MFR	\$7,744	RBT-2-PBR	\$7,833	2	48#	18"	Glycol
RBT-3-MF	\$8,601	RBT-3-PB	\$8,713	3	48#	18"	Air Cooled
RBT-3-MFR	\$8,831	RBT-3-PBR	\$8,943	3	48#	18"	Glycol
RBT-4-MF	\$8,934	RBT-4-PB	\$9,046	4	48#	18"	Air Cooled
RBT-4-MFR	\$9,410	RBT-4-PBR	\$9,524	4	48#	18"	Glycol

PRODUCT INFORMATION (see RBT Spec Sheet for complete details)

STANDARD FEATURES

- 1/4" stainless steel shanks with 3/16" restriction lines
- All stainless steel faucets
- Surface-mount, stainless steel drain pan with removable, perforated insert

Configurable Options

- 2, 3, or 4 faucets
- Mirror or polished brass finish
- Air cooled for direct-draw system or glycol cooled for recirculating system
- Numerous ceramic color finishes; consult factory for details
- Rinser faucet extension to the left or right of the drain pan; specify RFE option

RINSER FAUCET EXTENSION

Roman tower drain pans can be manufactured with rinser faucet extensions to the left or right of the drain pan. A rinser faucet extension will add 5" to the overall length of the drain pan. Add the RFE upcharge when placing your order.

NOTE: Rinser faucets not intended for use with towers mounted to a refrigerator due to risk of water line freeze up.

Rinser faucet installation notes:

- Unit does not provide a 1" air gap.
- Must be installed with external backflow prevention to meet applicable federal, state, and local plumbing code requirements.
- Install in-line water pressure regulator (included).
- A separate shut-off valve is recommended (not included).

MODEL	DESCRIPTION	LIST
RFE	Rinser faucet extension	\$719



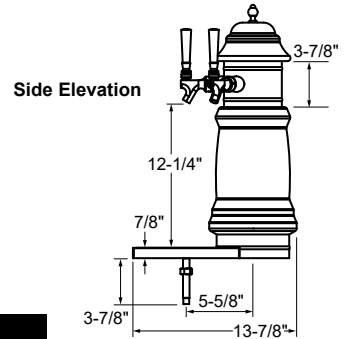
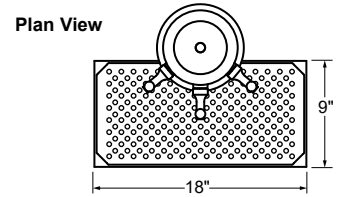
Beverage Dispensing



NOTE: To convert standard faucet to stout style faucet, specify accessory model number BT-CFG and add \$270 List per faucet.

*NOTE: Rembrandt Towers are manufactured to order and are not returnable.
 **NOTE: Brass finish towers provided with mirror finish drain pan and brass finish perforated insert

RCT-2-PB
 (handles not included)



REMBRANDT TOWERS WITH DRAIN PAN AND 7/2" RESTRICTION LINES

MIRROR FINISH		POLISHED BRASS FINISH**		FAUCETS	WGT	WIDTH	SYSTEM TYPE
MODEL	LIST	MODEL	LIST				
RCT-2-MF	\$7,510	RCT-2-PB	\$7,598	2	48#	18"	Air Cooled
RCT-2-MFR	\$7,744	RCT-2-PBR	\$7,833	2	48#	18"	Glycol
RCT-3-MF	\$8,601	RCT-3-PB	\$8,713	3	48#	18"	Air Cooled
RCT-3-MFR	\$8,831	RCT-3-PBR	\$8,943	3	48#	18"	Glycol

PRODUCT INFORMATION (see RCT Spec Sheet for complete details)

STANDARD FEATURES

- 1/4" stainless steel shanks with 3/16" restriction lines
- All stainless steel faucets
- Surface-mount, stainless steel drain pan with removable, perforated insert

Configurable Options

- 2 or 3 faucets
- Mirror or polished brass finish
- Air cooled for direct-draw system or glycol cooled for recirculating system
- Numerous ceramic color finishes; consult factory for details
- Rinser faucet extension to the left or right of the drain pan; specify RFE option

RINSER FAUCET EXTENSION

Rembrandt tower drain pans can be manufactured with rinser faucet extensions to the left or right of the drain pan. A rinser faucet extension will add 5" to the overall length of the drain pan. Add the RFE upcharge when placing your order.

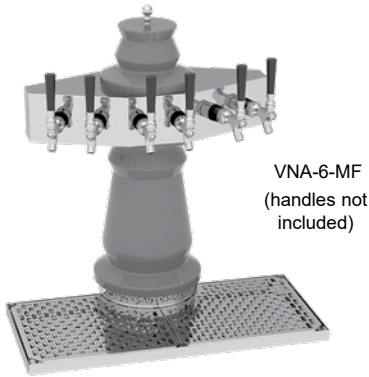
NOTE: Rinser faucets not intended for use with towers mounted to a refrigerator due to risk of water line freeze up.

Rinser faucet installation notes:

- Unit does not provide a 1" air gap.
- Must be installed with external backflow prevention to meet applicable federal, state, and local plumbing code requirements.
- Install in-line water pressure regulator (included).
- A separate shut-off valve is recommended (not included).

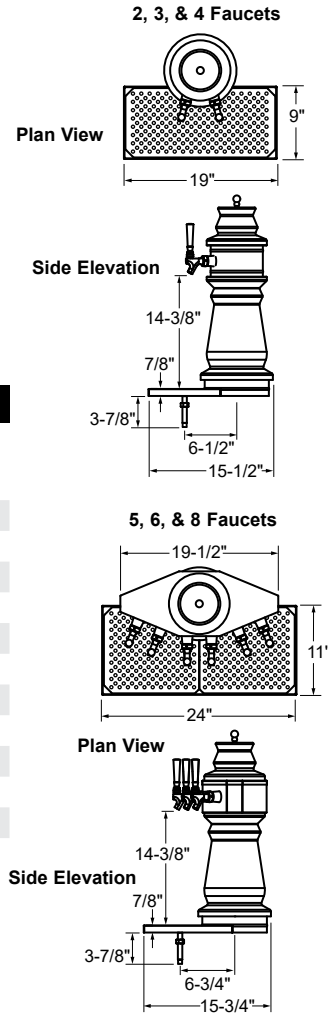
MODEL	DESCRIPTION	LIST
RFE	Rinser faucet extension	\$719





NOTE: To convert standard faucet to stout style faucet, specify accessory model number BT-CFG and add \$270 List per faucet.

*NOTE: Vienna Towers are manufactured to order and are not returnable.
 **NOTE: Brass finish towers provided with mirror finish drain pan and brass finish perforated insert



VIENNA TOWERS WITH DRAIN PAN AND 72" RESTRICTION LINES

MIRROR FINISH		POLISHED BRASS FINISH**		FAUCETS	WGT	WIDTH	SYSTEM TYPE
MODEL	LIST	MODEL	LIST				
VNA-2-MF	\$7,552	VNA-2-PB	\$7,670	2	48#	19"	Air Cooled
VNA-2-MFR	\$7,785	VNA-2-PBR	\$7,904	2	48#	19"	Glycol
VNA-3-MF	\$8,607	VNA-3-PB	\$8,725	3	48#	19"	Air Cooled
VNA-3-MFR	\$8,838	VNA-3-PBR	\$8,954	3	48#	19"	Glycol
VNA-4-MF	\$8,941	VNA-4-PB	\$9,058	4	48#	19"	Air Cooled
VNA-4-MFR	\$9,417	VNA-4-PBR	\$9,535	4	48#	19"	Glycol
VNA-5-MF	\$11,722	VNA-5-PB	\$11,907	5	101#	24"	Air Cooled
VNA-5-MFR	\$12,194	VNA-5-PBR	\$12,379	5	101#	24"	Glycol
VNA-6-MF	\$12,593	VNA-6-PB	\$12,778	6	101#	24"	Air Cooled
VNA-6-MFR	\$13,101	VNA-6-PBR	\$13,286	6	101#	24"	Glycol
VNA-8-MF	\$14,125	VNA-8-PB	\$14,311	8	101#	24"	Air Cooled
VNA-8-MFR	\$14,590	VNA-8-PBR	\$14,775	8	101#	24"	Glycol

PRODUCT INFORMATION (see VNA Spec Sheet for complete details)

STANDARD FEATURES

- 1/4" stainless steel shanks with 3/16" restriction lines
- All stainless steel faucets
- Surface-mount, stainless steel drain pan with removable, perforated insert

Configurable Options

- 2, 3, 4, 5, 6, or 8 faucets
- Mirror or polished brass finish
- Air cooled for direct-draw system or glycol cooled for recirculating system
- Numerous ceramic color finishes; consult factory for details
- Rinser faucet extension to the left or right of the drain pan; specify RFE option

Beverage Dispensing

RINSER FAUCET EXTENSION

Vienna tower drain pans can be manufactured with rinser faucet extensions to the left or right of the drain pan. A rinser faucet extension will add 5" to the overall length of the drain pan. Add the RFE upcharge when placing your order.

NOTE: Rinser faucets not intended for use with towers mounted to a refrigerator due to risk of water line freeze up.

Rinser faucet installation notes:

- Unit does not provide a 1" air gap.
- Must be installed with external backflow prevention to meet applicable federal, state, and local plumbing code requirements.
- Install in-line water pressure regulator (included).
- A separate shut-off valve is recommended (not included).

MODEL	DESCRIPTION	LIST
RFE	Rinser faucet extension	\$719



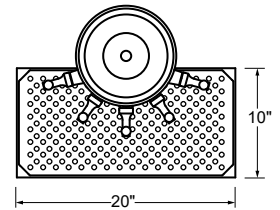


ZT-4-PB
(handles not included)

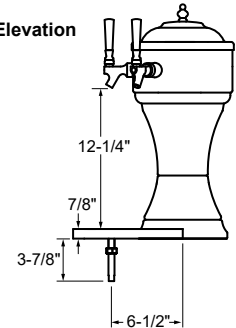
NOTE: To convert standard faucet to stout style faucet, specify accessory model number BT-CFG and add \$270 List per faucet.

*NOTE: Zeus Towers are manufactured to order and are not returnable.
**NOTE: Brass finish towers provided with mirror finish drain pan and brass finish perforated insert

Plan View



Side Elevation



ZEUS TOWERS WITH DRAIN PAN AND 72" RESTRICTION LINES

MIRROR FINISH		POLISHED BRASS FINISH**		FAUCETS	WGT	WIDTH	SYSTEM TYPE
MODEL	LIST	MODEL	LIST				
ZT-3-MF	\$7,433	ZT-3-PB	\$7,569	3	48#	20"	Air Cooled
ZT-3-MFR	\$6,885	ZT-3-PBR	\$7,020	3	48#	20"	Glycol
ZT-4-MF	\$7,958	ZT-4-PB	\$8,094	4	48#	20"	Air Cooled
ZT-4-MFR	\$7,262	ZT-4-PBR	\$7,399	4	48#	20"	Glycol
ZT-5-MF	\$8,426	ZT-5-PB	\$8,562	5	101#	20"	Air Cooled
ZT-5-MFR	\$7,646	ZT-5-PBR	\$7,571	5	101#	20"	Glycol

PRODUCT INFORMATION (see ZT Spec Sheet for complete details)

STANDARD FEATURES

- 1/4" stainless steel shanks with 3/16" restriction lines
- All stainless steel faucets
- Surface-mount, stainless steel drain pan with removable, perforated insert

Configurable Options

- 3, 4, or 5 faucets
- Mirror or polished brass finish
- Air cooled for direct-draw system or glycol cooled for recirculating system
- Black, white, or green ceramic base color finishes
- Rinser faucet extension to the left or right of the drain pan; specify RFE option

RINSER FAUCET EXTENSION

Zeus tower drain pans can be manufactured with rinser faucet extensions to the left or right of the drain pan. A rinser faucet extension will add 5" to the overall length of the drain pan. Add the RFE upcharge when placing your order.

NOTE: Rinser faucets not intended for use with towers mounted to a refrigerator due to risk of water line freeze up.

Rinser faucet installation notes:

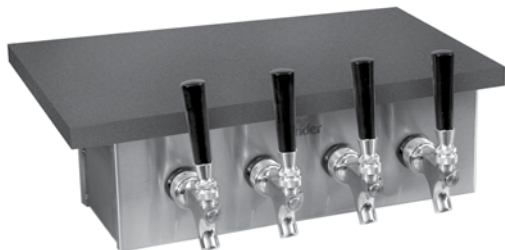
- Unit does not provide a 1" air gap.
- Must be installed with external backflow prevention to meet applicable federal, state, and local plumbing code requirements.
- Install in-line water pressure regulator (included).
- A separate shut-off valve is recommended (not included).

MODEL	DESCRIPTION	LIST
RFE	Rinser faucet extension	\$719



Beverage Dispensing

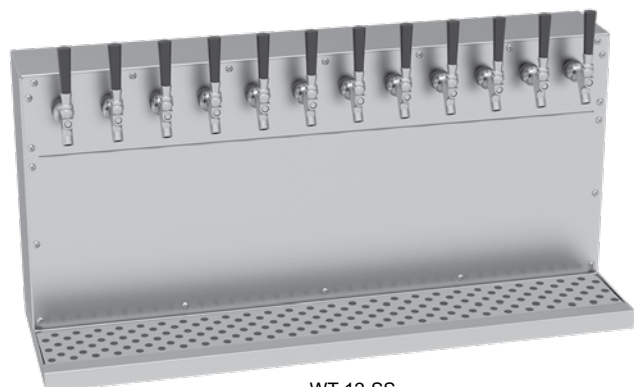
NOTE: To convert standard faucet to stout style faucet, specify accessory model number BT-CFG and add \$270 List per faucet.



UC-4-SSR
Shown attached to bar
(Handles not included)



UC-5-SSR
Shown installed under bar top
with BDB-18 beer drainer



WT-12-SS
(handles not included)

PRODUCT INFORMATION

(see UC Spec Sheet for complete details)

STANDARD FEATURES: All stainless steel construction • 1/4" shanks with 3/16" restriction lines • Includes cold plate assembly and insulated restriction lines for glycol recirculating system • Includes all stainless steel faucets and shanks to resist corrosion and prevent metallic leaching, making them ideal for both draft beer and wine applications

NOTES:

1. Installation of the undercounter tower requires a minimum bar top overhang of 7".
2. Undercounter towers do not include a drain pan. Glastender offers a free-standing underbar beer drainer. See model numbers BDA or BDB for the main line (page 47) or C-BD for the Choice line (page 67).
3. The beverage and glycol lines exit the bottom of the tower and are rigid, so the undercounter tower must be installed prior to installing the beer drainer. The 8, 10, and 12 faucet models have two sets of lines exiting the bottom of the tower.

STAINLESS STEEL UNDERCOUNTER TOWERS

MODEL	LIST	# OF FAUCETS	WT	WIDTH
UC-4-SSR	\$2,920	4	28#	14"
UC-5-SSR	\$3,461	5	30#	17"
UC-6-SSR	\$4,000	6	35#	20"
UC-8-SSR	\$5,240	8	50#	26"
UC-10-SSR	\$6,319	10	65#	32"
UC-12-SSR	\$7,393	12	80#	38"

PRODUCT INFORMATION

(see WT Spec Sheet for complete details)

STANDARD FEATURES: All stainless steel construction • Integrated drain pan with lift-out perforated inserts • 1/4" shanks with 3/16" restriction lines • Available with cold plate assembly and insulated restriction lines for glycol recirculating system (specify suffix 'R' in the model number) • Built-in wall mounting bracket • Removable front cover for access to shanks • Includes all stainless steel faucets and shanks to resist corrosion and prevent metallic leaching, making them ideal for both draft beer and wine applications

STAINLESS STEEL WALL MOUNT TOWERS

MODEL	LIST	# OF FAUCETS	WT	WIDTH
WT-4-SS	\$2,456	4	23#	14"
WT-4-SSR	\$3,253	4	31#	14"
WT-5-SS	\$2,921	5	27#	17"
WT-5-SSR	\$3,859	5	36#	17"
WT-6-SS	\$3,388	6	31#	20"
WT-6-SSR	\$4,471	6	41#	20"
WT-8-SS	\$4,319	8	39#	26"
WT-8-SSR	\$5,866	8	51#	26"
WT-10-SS	\$5,253	10	57#	32"
WT-10-SSR	\$7,081	10	71#	32"
WT-12-SS	\$6,189	12	65#	38"
WT-12-SSR	\$8,298	12	81#	38"

*NOTE: Undercounter and Wall Mount Towers are manufactured to order and are not returnable

Beverage Dispensing



WB-6-N
(handles not included)

NOTE: To convert standard faucet to stout style faucet, specify accessory model number BT-CFG and add \$270 List per faucet.

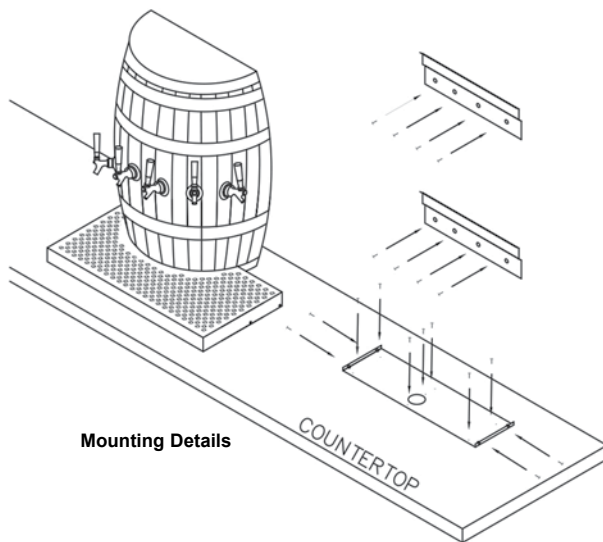
PRODUCT INFORMATION

(see WB Spec Sheet for complete details)

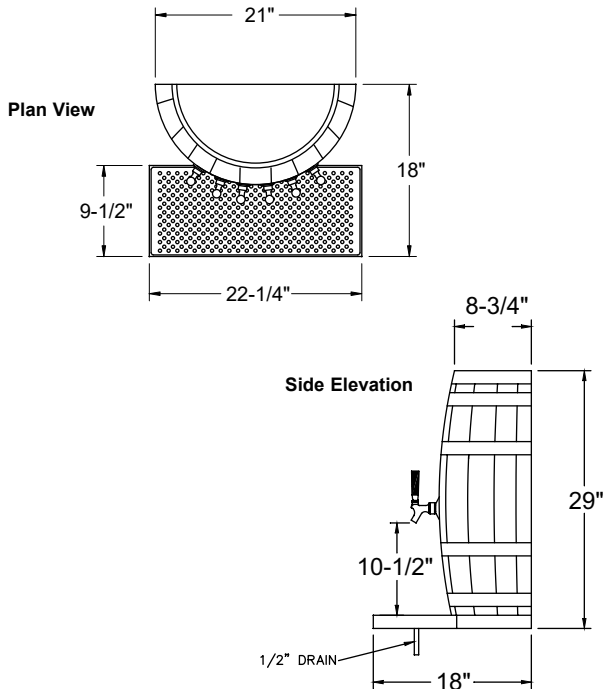
STANDARD FEATURES

- Oak wood barrel construction
- Includes separate 300 series stainless steel surface mount drain pan with lift-out perforated inserts
- 1/4" shanks with 3/16" restriction lines
- Available in flat black or natural unfinished
- Available with cold plate assembly and insulated restriction lines for glycol recirculating system (specify suffix 'R' in the model number)
- Available in three through six faucet models
- Includes wall mounting brackets
- All stainless steel faucets and shanks to resist corrosion and prevent metallic leaching, making them ideal for both draft beer and wine applications

*NOTE: Wood Barrel Towers are manufactured to order and are not returnable



Mounting Details



WOOD BARREL TOWERS WITH DRAIN PAN AND 72" RESTRICTION LINES

FLAT BLACK	LIST	NATURAL WOOD	LIST	# OF FAUCETS	WGT
WB-3-B	\$4,080	WB-3-N	\$4,080	3	85#
WB-3-BR	\$5,099	WB-3-NR	\$5,099	3	85#
WB-4-B	\$4,470	WB-4-N	\$4,470	4	90#
WB-4-BR	\$5,490	WB-4-NR	\$5,490	4	90#
WB-5-B	\$4,860	WB-5-N	\$4,860	5	95#
WB-5-BR	\$6,024	WB-5-NR	\$6,024	5	95#
WB-6-B	\$5,250	WB-6-N	\$5,250	6	100#
WB-6-BR	\$6,554	WB-6-NR	\$6,554	6	100#

Beverage Dispensing

All faucets are certified low lead compliant



12" WIDE

MODEL	LIST	WGT
WH-12*	\$1,107	22#
WH-12-LF* (less faucet)	\$734	20#

12" WIDE WITH SKIRT

MODEL	LIST	WGT
WHS-12*	\$1,378	27#
WHS-12-LF* (less faucet)	\$1,005	25#

14" WIDE

MODEL	LIST	WGT
WH-14*	\$1,061	22#
WH-14-LF* (less faucet)	\$728	20#

14" WIDE WITH SKIRT

MODEL	LIST	WGT
WHS-14*	\$1,321	27#
WHS-14-LF* (less faucet)	\$988	25#



14" WITH INTEGRATED SIDE SPLASHES

MODEL	LIST	WGT
WH-14-S	\$1,549	27#
WH-14-S-LF (less faucet)	\$1,216	25#

14" WITH INTEGRATED SIDE SPLASHES & SKIRT

MODEL	LIST	WGT
WHS-14-S	\$1,828	33#
WHS-14-S-LF (less faucet)	\$1,495	31#

14" WIDE WITH SOAP & PAPER TOWEL DISPENSERS

MODEL	LIST	WGT
WDH-14	\$1,905	37#
WDH-14-LF (less faucet)	\$1,572	35#

14" EXTENDED SPLASH W/ SOAP & TOWEL DISPENSER

MODEL	LIST	WGT
WH-14-ESD*	\$1,708	37#
WH-14-ESD-LF* (less faucet)	\$1,375	35#

- Optional foot-operated faucets
- | | |
|----------|-------------|
| FOF-B | FOF-D |
| • WH-12 | • WH-14 |
| • WHS-12 | • WHS-14 |
| | • WHD-14 |
| | • WH-14-S |
| | • WH-14-ESD |



PRODUCT INFORMATION

(see WH, WH-S, WDH, & WH-ESD Spec Sheets for complete details)
STANDARD FEATURES: Manufactured with total welded construction to meet all NSF® standards • All stainless steel construction • 9-1/4" by 11-1/2" by 6" deep sink bowl • Includes wall-mounting bracket • Includes 1-1/2" IPS drain fitting • Heavy-duty faucet is standard (available less faucet by adding the suffix '-LF' to the model number) • Models WH-12 and WHS-12 include a special backsplash faucet-mounting bracket for easy removal and inspection of faucet after installation • Models WH-14-S and WHS-14-S include integral left and right side splashes, featuring radius work surface corners for easy cleaning and a front lip to contain splashes • Model WDH-14 includes built-in soap and C-fold paper towel dispensers • Model WH-14-ESD includes a 1" deep recessed work surface with extra tall backsplash to contain splashes, and soap and paper towel dispenser

⚠ WARNING: The plastic wet waste strainer included with this product can expose you to chemicals including Bisphenol A (BPA), which is known to the State of California to cause birth defects or other reproductive harm. For more information, go to www.P65Warnings.ca.gov.
Warning applies to State of California only. Part #03000483

CONFIGURABLE OPTIONS

MODEL	DESCRIPTION	LIST	WGT
LS15	15" deep left side splash	\$178	1#
RS15	15" deep right side splash	\$178	1#
FOF-B	Convert to foot-operated backsplash faucet for WH-12 and WHS-12 models	\$658	3#
FOF-D	Convert to foot-operated deck faucet for WH-14, WHS-14, WH-14-S, WHS-14-S, WDH-14 and WH-14-ESD models	\$502	3#

ACCESSORIES

MODEL	DESCRIPTION	LIST	WGT
03000512	P-trap, 17 ga. chrome plated steel	\$101	2#
03000511	Wrist handles (set of two)	\$56	2#
03000483	Wet waste sink strainer	\$66	1#
TD-C	Paper towel dispenser, C-fold	\$319	5#

All faucets are certified low lead compliant



DI-HS12



DI-HS14

DROP-IN HAND SINKS

MODEL	LIST	LENGTH	DEPTH	WGT	FAUCET
DI-HS12	\$873	12"	17"	18#	Yes
DI-HS12-LF	\$585	12"	17"	15#	No
DI-HS14	\$873	14"	15"	18#	Yes
DI-HS14-LF	\$585	14"	15"	15#	No

PRODUCT INFORMATION

(see DI-HS, DI-I, and DI-IB Spec Sheets for complete details)

STANDARD FEATURES: All stainless steel construction • Includes four 1/4-20 x 1-1/2" studs for mounting to countertop • DI-IB24 and DI-IB30 feature special angle brackets, U-channels, and mounting bolts for easy installation)

SINK FEATURES: 9-1/4" by 11-1/2" by 6" deep sink bowl • Includes 1-1/2" IPS drain fitting

ICE BIN FEATURES: PVC plastic breaker strip around ice bin liner: creates 5/16" raised edge around liner (NSF® requirement is 3/16"), acts as thermal barrier to prevent heat transfer, and makes the cover slide easier • Sliding stainless steel cover • Foamed-in-place insulation • Galvanized steel exterior wrap • 24" and 30" models available with 10 circuit cold plate • Models without cold plates have a 1-1/2" welded tailpiece - no drain fitting to break or come loose • 10-1/2" deep liner • Manufactured with total welded construction to meet all NSF® standards

⚠ WARNING: The plastic wet waste strainer included with this product can expose you to chemicals including Bisphenol A (BPA), which is known to the State of California to cause birth defects or other reproductive harm. For more information, go to www.P65Warnings.ca.gov. **Warning applies to State of California only.** Part #03000483



DI-IS24



DI-IW24

DROP-IN ICE AND SINK UNITS

MODEL	LIST	L	D	WGT	FAUCET
DI-IS24	\$2,464	24"	19"	55#	Yes
DI-IS24-LF	\$2,131	24"	19"	52#	No

DROP-IN ICE AND WATER STATION UNITS

MODEL	LIST	L	D	WGT	FAUCET
DI-IW24	\$2,689	24"	19"	55#	Yes
DI-IW24-LF	\$2,252	24"	19"	52#	No



DI-IB24-CP10



DI-IB18

DROP-IN ICE BINS

MODEL	LIST	LENGTH	DEPTH	COLD PLATE	WGT	ICE CAPACITY
DI-IB12	\$1,782	14"	19"	No	50#	33#
DI-IB18	\$1,993	20"	19"	No	60#	50#
DI-IB24	\$2,294	26"	19"	No	70#	71#
DI-IB30	\$2,536	32"	19"	No	80#	89#
DI-IB24-CP10	\$4,324	26"	19"	Yes	140#	71#
DI-IB30-CP10	\$4,575	32"	19"	Yes	150#	89#

ACCESSORIES

MODEL	DESCRIPTION	LIST	WGT
03000512	P-trap, 17 ga. chrome plated steel	\$101	2#
03000511	Wrist handles (set of two)	\$56	2#
03000483	Wet waste sink strainer	\$66	1#

Counter Cut-Out Dimensions

DI-IB12 = 17-1/2" by 12-1/2"
 DI-IB18 = 17-1/2" by 18-1/2"
 DI-IB24 = 17-1/2" by 24-1/2"
 DI-IB30 = 17-1/2" by 30-1/2"
 All other models, reference spec sheet

Kitchen Fabrication & Refrigeration



PRODUCT INFORMATION

(see LC Spec Sheet for complete details)

STANDARD FEATURES:

- Self-contained forced air refrigeration system for uniform cooling of product
- Automatic condensate evaporator
- Digital thermostat with automatic defrost
- All stainless steel interior construction
- Stainless steel foamed-in-place insulated door and lettuce chute
- Stainless exterior construction with galvanized back and bottom
- Removable plastic lettuce bin and divider included
- Removable condenser air inlet filter for easy cleaning
- Bracket for wall mounting
- 4" adjustable legs available
- Nine-foot grounded cord & plug provided
- Listed to NSF standard 7 for open food as a storage refrigerator

CAPACITY: Approx. 50 heads of lettuce (shredded)

ELECTRICAL: 120V, 1 phase, 60Hz, 2.5 full load amps. Dedicated 15 amp circuit is required.

REFRIGERATION: 1/8 HP, R290 refrigerant, 1,023 BTU/hr heat rejection

PLUMBING: Automatic condensate evaporator. No drain connection required.



LC-BIN lettuce bin with LC-BDIV bin divider

LETTUCE CRISPER

MODEL	DESCRIPTION	LIST	WGT
LC	24" Lettuce Crisper with plastic bin, stainless bin divider, & wall-mounting bracket	\$6,624	185#

ACCESSORIES

MODEL	DESCRIPTION	LIST	WGT
LC-BIN	Plastic lettuce bin (additional)	\$375	15#
LC-BDIV	Lettuce bin divider, stainless steel (additional)	\$120	5#
LCLS	4" legs with adjustable flanged feet	\$280	5#
CE-220/50S	Convert self-contained unit to 220V/50Hz electrical	\$290	N/A



CM24XS-RR

*NOTE: Countertop Merchandisers are manufactured to order and are not returnable

PRODUCT INFORMATION

(see CM Spec Sheet for complete details)

STANDARD FEATURES: Self-contained forced air refrigeration system for uniform cooling of product • Automatic condensate evaporator • Digital thermostat with automatic defrost • All stainless steel interior construction • Stainless steel exterior construction with galvanized steel bottom • Removable condenser air inlet filter for easy cleaning • Nine-foot grounded cord & plug provided • Available with stainless steel door or glass door with stainless steel frame • Two adjustable coated shelves • Interior LED light included • Listed to NSF standard 7 for open food as a storage refrigerator

CAPACITY: 4.7 cu. ft.

ELECTRICAL: 120V, 1 phase, 60Hz, 2.5 full load amps. Dedicated 15 amp circuit is required

REFRIGERATION: 1/8 HP, R290 refrigerant

PLUMBING: Automatic condensate evaporator. No drain connection required.

COUNTERTOP MERCHANDISER

Standard List = \$7,107

Weight = 190#

CM24 -

Door Style:

SS = Stainless Front and Back Door

SX = Stainless Front and Glass Back Door - Add \$528

XS = Glass Front and Stainless Back Door - Add \$528

XX = Glass Front and Glass Back Door - Add \$1,056

Rear Door Hinge Location:

L = Left or R = Right

Front Door Hinge Location:

L = Left or R = Right

ACCESSORIES

MODEL	DESCRIPTION	LIST	WGT
LCLS	4" legs with adjustable flanged feet	\$280	5#
CE-220/50S	Convert self-contained unit to 220V/50Hz electrical	\$290	N/A

Wall-Mount Refrigerators



WMR24S-R

PRODUCT INFORMATION

(see WMR Spec Sheet for complete details)

STANDARD FEATURES: Self-contained forced air refrigeration system for uniform cooling of product • Automatic condensate evaporator • Digital thermostat with automatic defrost • All stainless steel interior construction • Stainless exterior construction with galvanized back and bottom • Available with stainless steel door or glass door with stainless steel frame • Two adjustable coated shelves • Removable condenser air inlet filter for easy cleaning • Bracket for wall mounting • Nine-foot grounded cord & plug provided • Interior LED light included • Listed to NSF standard 7 for open food as a storage refrigerator

CAPACITY: 3.9 cu. ft.

ELECTRICAL: 120V, 1 phase, 60Hz, 2.5 full load amps. Dedicated 15 amp circuit is required.

REFRIGERATION: 1/8 HP, R290 refrigerant

PLUMBING: Automatic condensate evaporator. No drain connection required.

WALL-MOUNT REFRIGERATORS

MODEL	LIST	DOOR STYLES	HINGE	WGT
WMR24S-L	\$6,166	Stainless	Left	165#
WMR24S-R	\$6,166	Stainless	Right	165#
WMR24X-L	\$6,698	Glass	Left	165#
WMR24X-R	\$6,698	Glass	Right	165#

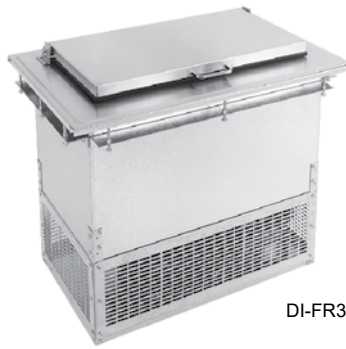
ACCESSORIES

MODEL	DESCRIPTION	LIST	WGT
LCLS	4" legs with adjustable flanged feet	\$280	5#
CE-220/50S	Convert self-contained unit to 220V/50Hz electrical	\$290	N/A

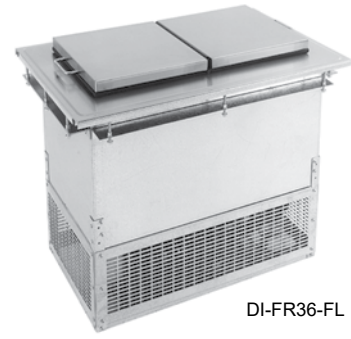
All faucets are certified low lead compliant



DI-FR-DW



DI-FR36



DI-FR36-FL

DROP-IN ICE CREAM FREEZERS

MODEL	LIST	DIPPER WELL	WGT
DI-FR	\$4,210	No	115#
DI-FR-DW	\$5,110	Yes	120#
DI-FR36	\$5,114	No	135#
DI-FR36-DW*	\$6,013	Yes	150#

DROP-IN ICE CREAM FREEZERS WITH FLIP LID

MODEL	LIST	DIPPER WELL	WGT
DI-FR36-FL	\$5,235	No	135#
DI-FR36-DW-FL*	\$6,137	Yes	150#

ACCESSORIES

MODEL	DESCRIPTION	LIST
CE-220/50S	Convert self-contained unit to 220V/50Hz electrical	\$290

*NOTE: These items are manufactured to order and are not returnable

PRODUCT INFORMATION

(see DI-FR Spec Sheet for complete details)

STANDARD FEATURES: Stainless steel work surface, interior liner, and lid with galvanized steel exterior wrap • Foamed-in-place insulation • Available with built-in seamless welded 6" diameter draining dipper well and faucet • Eight-foot grounded cord and plug provided • Available sizes for one or two 3-gallon container capacity • Includes special angle brackets, U-channels, and mounting bolts for easy installation

CAPACITY:

- DI-FR models - one 3-gallon container of ice cream
- DI-FR36 models - two 3-gallon containers of ice cream

ELECTRICAL: 120V, 1 phase, 60 Hz, 3.5 full load amps. Dedicated 15 amp circuit is recommended. Includes 8-foot grounded cord and plug.

REFRIGERATION: Operating range -5°F to 10°F, 1/4 HP, 0.06 Ton, R290 100g (3.53 oz) refrigerant

Mobile Freezers*



FRM-2



FRM-2-C

*NOTE: Mobile Freezers are manufactured to order and are not returnable

PRODUCT INFORMATION

(see FRM Spec Sheet for complete details)

STANDARD FEATURES: All stainless steel exterior with 16 gauge galvanized exterior bottom • Completely integrated design - not just a cabinet with separate drop-in module • All stainless steel interior liner with radius corners for easy cleaning • One-piece, seamless top • 36-3/8" high work surface • Includes four 4-1/8" casters, with two locking casters • Eight-foot grounded cord and plug provided, exits at rear • Designed to accommodate outlet behind unit and still sit flush against the wall

CAPACITY:

- FRM-2 - two 3-gallon tubs of ice cream
- FRM-2-C - 1.27 cubic feet craft ice

ELECTRICAL: 120V, 1 phase, 60Hz, 3.5 full load amps. Dedicated 15 amp circuit is required.

REFRIGERATION: 1/4 HP, 0.06 Ton, R290 100g (3.53 oz) refrigerant

MOBILE FREEZERS

MODEL	LIST	LENGTH	DEPTH	WEIGHT
FRM-2	\$6,798	24"	18"	150#
FRM-2-C	\$7,552	14"	24"	150#

ACCESSORIES

MODEL	DESCRIPTION	LIST
CE-220/50S	Convert self-contained unit to 220V/50Hz electrical	\$290



MIB-36



MIB-36-H



MIB-36-ED

30" HIGH MOBILE ICE BATHS

MODEL	LENGTH	LIST	WGT
MIB-36	36"	\$4,872	170#
MIB-48	48"	\$5,430	205#

36" HIGH MOBILE ICE BATHS

MODEL	LENGTH	LIST	WGT
MIB-36-H	36"	\$4,977	180#
MIB-48-H	48"	\$5,679	215#

36" HIGH EXTRA DEEP MOBILE ICE BATHS

MODEL	LENGTH	LIST	WGT
MIB-36-ED	36"	\$5,298	200#
MIB-48-ED	48"	\$5,914	235#

MOBILE ICE BIN ACCESSORIES

MODEL	DESCRIPTION	LIST	WGT
TR	Towel Ring	\$24	1#
BO/CC-M	Bottle opener and cap catcher	\$101	3#



TR

Standard mounting for towel rings is server side left. Standard mounting for bottle opener/cap catcher is server side right. Please specify when ordering if you would like these items mounted in a different location.

PRODUCT INFORMATION

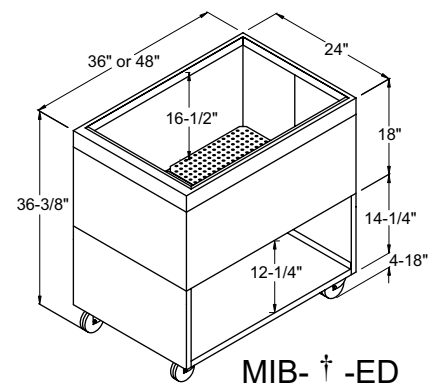
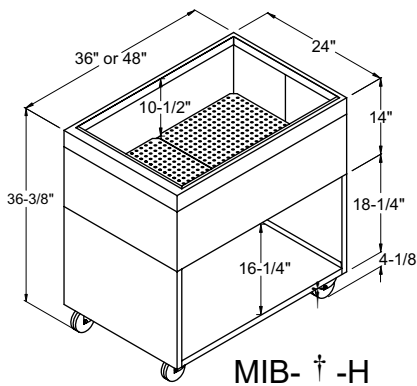
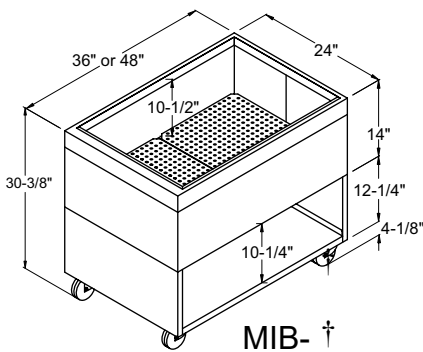
(see MIB Spec Sheet for complete details)

STANDARD FEATURES

- Designed for iced product storage and merchandising, especially long neck bottled beer
- Foamed-in-place insulated cabinet and PVC breaker strip around liner prevents exterior condensation
- Heavy duty construction with attractive black vinyl-clad exterior that resists scratching
- Stainless steel top, liner, and perforated drain pan inserts with 1/4" radius interior corners for easy cleaning
- Built-in storage area below ice bin. Stainless steel floor has 1/4" radius corners for easy cleaning.
- No plumbing required. Includes a flexible drain line with on/off valve for draining when most convenient.
- The standard models have a 30-3/8" work height
- The '-H' models feature a taller cabinet base and a 36-38" work height
- The '-ED' models feature an extra deep bath and a 36-3/8" work height
- Standard and -H models liner depth 10-1/2"
- -ED model liner depth 16-1/2"
- All models available in lengths of 36" or 48"
- Optional towel ring and bottle opener/cap catcher available
- Flexible drain line with on/off valve
- 4-1/8" rubberized casters, with two locking casters on server side

*NOTE: Mobile Ice Baths are manufactured to order and are not returnable

† 36 = 36", 48 = 48"



Kitchen Fabrication & Refrigeration



The IB-14x22 as a food pan holder (pan not included)



The IB-14x22 as a portable ice display unit

*NOTE: The IB-14x22 is manufactured to order and is not returnable

PRODUCT INFORMATION

(see IB-14x22 Spec Sheet for complete details)

STANDARD FEATURES

The IB-14x22 is an all stainless steel, foam-in-place insulated, portable ice bin that sits on a countertop • The exterior dimensions are 14" by 22" by 10" high and the interior liner opening is sized to hold one food pan • The IB-14x22 also works well as a countertop ice display unit and does not need to be used with a steam table pan • Since the IB-14x22 is portable, it does not have a drain

ICE PAN HOLDER*

MODEL	LIST	WEIGHT
IB-14x22	\$1,718	35#



IBM-18x30 with undershelf



IBM-18x30 with enclosed base

*NOTE: Mobile Ice Bins are manufactured to order and are not returnable

PRODUCT INFORMATION

(see IBM Spec Sheet for complete details)

STANDARD FEATURES

The IBM-18x30 is an all stainless steel, foam-in-place insulated, mobile ice bin that is 18" by 30" by 30" high • The interior liner is 10-1/2" deep • A drain valve is provided for draining melted ice water • The IBM-18x30 works well as an ice bath for bottled beer or wine • Available with undershelf or enclosed base

MOBILE ICE BIN*

MODEL	LIST	WEIGHT
IBM-18x30	\$3,542	100#

CONFIGURABLE OPTIONS

Option	Price
Undershelf	No charge
Enclosed base	\$238

Wall Cabinets*



WCH48



WCH36

WALL CABINETS

OPEN FRONT	LIST	HINGED DOORS	LIST	LENGTH	WGT
WCO24	\$1,942	WCH24	\$3,128	24"	100#
WCO30	\$2,079	WCH30	\$3,337	30"	120#
WCO36	\$2,187	WCH36	\$3,529	36"	140#
WCO42	\$2,296	WCH42	\$3,714	42"	160#
WCO48	\$2,405	WCH48	\$3,899	48"	180#
WCO60	\$4,158	WCH60	\$6,673	60"	220#
WCO72	\$4,375	WCH72	\$7,057	72"	250#
WCO96	\$4,810	WCH96	\$7,798	96"	310#

PRODUCT INFORMATION

(see WC Spec Sheet for complete details)

STANDARD FEATURES: Includes intermediate shelf • Includes wall-mounting bracket • Available with open front or with hinged doors • Door models include door locks and positive latch catch • Door models 24" - 48" have 2 doors, 60" - 96" have 4 doors • Sloping top creates sanitary surface • Four door models ship as two units and include hardware for field assembly

*NOTE: Wall Cabinets are manufactured to order and are not returnable

Index

A

Add-on cabinet bases32
All-in-one stations..... 45-46

B

Back bar
Coolers..... (see Coolers)
Dry storage 119-120
Glass storage.....121
Liquor display.....121
Backsplash, glasswasher3
Bar die, modular.....48, 70
Bar, Portable..... 13-14
Bar Profile Coolers (see Coolers)
Beer / Beverage
Accessories for cooler82
Cooler (see Coolers)
Drainer, underbar.....47, 67
Line chiller 123-124
Towers 125-133, 135-146
Blender stations
Bolt-on blender shelves.....24, 55
Drainboard.....23
Fillerboard.....55
Island Oasis® stand.....42, 67
Rinsers faucet.....23
Sink.....23, 55
Sink and rinsers faucet.....23
Bolt-on blender shelves.....24, 55
Bottle
Coolers..... (see Coolers)
Opener and Cap Catcher.....113, 152
Racks21, 50
Wells21, 50
Bottle Disintegration System 1-2

C

Cabinets
Add-on base.....32
Back bar, dry storage 119-120
Drainboard..... 30-31, 61
POS.....32, 66
Underbar..... 30-32, 61, 63
Wall.....153
Cap Catcher and Bottle Opener 113, 152
Casino Style Combo Ice Bin.....18
CHOICE by Glastender Underbar 49-70
Clip-on
Chemical rail (glasswasher)6
Dry waste (cocktail station).....12
Dry waste rail43, 68
Garnish dispenser (cocktail station) ...12
Shelf divider71, 73, 75, 77, 79, 87,
89, 91, 97, 99, 101, 103
Speed rails22
Cocktail Prep Cooler..... (see Coolers)
Cocktail stations.(see All-in-one stations and
Pass-thru cocktail stations)
Combo Ice Bins.....17, 51
Compartment Sinks.....35, 65
Condensing unit storage cabinet122
Countertop Merchandiser.....150

Cooler miscellaneous122
Coolers71-81, 83-114
Bar profile.....71-81, 83-86, 97-100,
105-106, 109-110
Cocktail prep96
Countertop merchandiser150
Draft beverage compatible71-81
Drawers71-74, 77-80, 91-92,
105-106, 109-112
Front serviced.....71-74, 81, 83-84,
87-88, 97-98, 101-102, 105-108
Frosters (chillers) Reach-in 105-112
Frosters Slide top.....114
High Profile93-95
Keg81
Lettuce crisper149
Low profile.....87-92, 101-104,
107-108, 111-112
Mug froster, reach-in 105-112
Mug froster, slide top114
One zone...71-72, 75-78, 83-92, 97-112
Pass-thru97-104
Remote.....75-76, 85-86, 89-90,
99-100, 103-104
Shallow depth.....83-86
Side serviced.....77-80, 91-92, 109-112
Slide top.....113
Two zone73-74, 79-80, 95
Wall mount refrigerator150
Wine shelves, pull-out71-80, 87-95
Corner drainboards.....27-28, 58-59
Countertop Merchandiser.....150
Covers
Back bar liquor display, locking121
Speed rails, locking22, 69
Craft Ice, Mobile Freezer.....151

D

Direct draw beverage towers and acc82
Double speed rails22, 69
Drain pans, drop-in40
Drain pans, surface-mount134
Draft beverage compatible coolers
(see Coolers)
Drainboards
Blender stations23
Cabinets 30-31, 61
Corners27-28, 58-59
Glassracks29, 60
Half cabinets.....31
Recessed26, 56
Underbar25, 57
Drainers, beer47, 67
Drawer inserts for fractional stainless pans ...
77, 91, 105, 109, 111
Drawers, cooler (see Coolers)
Drink Rails40
Drop-in38
Mixology, drop-in.....38
Drop-in
Drain pans.....40
Drink rails.....38
Hand sinks148
Ice and sink units.....148
Ice and water stations148
Ice bins148
Ice cream freezers.....151
Mixology drink rails.....38
Mixology wells.....38
Rinsers faucets39
Dry storage cabinets..... 119-120

Dry waste

Chutes34, 43, 68
Clip-on, receptacle for pass-thru12
Rail35, 43, 68
Receptacle43, 63, 68

E

Equipment Stands

Blender stations 23-24, 55
Island Oasis42, 67
Margarita Machine121
POS cabinet32, 66

F

Fillerboards (see also Drainboards)

Blender station.....55
Corner.....59
Drainboard cabinets.....30-31 (see note)
Underbar.....25 (see note), 56
Four compartment sinks.....35, 65
Freezer, ice cream44
Drop-in, ice cream151
Mobile, craft ice151
Mobile, ice cream151
Front serviced coolers..... (see Coolers)
Frosters (chillers) (see Coolers)

G

Garnish dispenser

Clip-on.....12
Stand alone16, 17, 18, 50, 51, 52
Garnish drawer insert.....71, 77, 91
Glass ice display units.....115
Glass storage, back bar121
Glassracks
Drainboard.....29, 60
Holders (glasswasher)6
Racks6
Underbar, open29, 60
Glasswashers
High Temp.....4
Rotary3, 5-6

H

Half cabinets, drainboard31
Hand sinks
Drop-in148
Underbar 33-34, 62
Wall-mount147
High Profile Coolers (see Coolers)

I

Ice and sink units, drop-in.....148
Ice and water stations, drop-in148
Ice baths, mobile152
Ice bins
Casino Style Combo18
Combo17, 51
Dividers12, 16, 17, 50, 51, 52
Drop-in148
Extra deep.....15, 17, 50, 51
Ice and sink units148
Ice and water stations148
Mobile153
Pass thru16, 52
Specialty153
Tubing chase.....16, 17, 45
Underbar.....15, 17, 18, 49, 50, 51
Ice cream freezer
Drop-in151
Mobile151
Underbar.....44
Ice display units116
Ice pan holder.....153
Island Oasis® stand42, 67

Index

J
Jockey box (see Ice bins)

K
Keg coolers (see Coolers)
Kitchen Fabrication & Refrigeration .. 147-153

L
Lettuce crisper.....149
Lighted liquor displays117-118
Line chiller
 Beer 123-124
 Stands124
 Wall racks124
Liquor displays
 Back bar.....121
 Lighted.....117-118
Liquor Steps.....41, 66
Locking covers
 Back bar liquor display.....121
 Speed rail.....22, 69
Low profile coolers (see Coolers)
Low profile dry storage cabinets..... 119

M
Margarita Machine Stand.....121
Mixology
 Bottle racks.....21
 Drink rails, drop-in38
 Stations37
 Units36, 64
 Wells, drop-in38
Mobile ice bath152
Mobile ice bin153
Mobile freezers44
Modular bar die.....48, 70
Modular beverage stations42
Mug frosters (chillers)..... (see Coolers)
Multiple bowl sinks.....35, 65

O
One zone coolers..... (see Coolers)
Overshelves, cocktail stations12

P
POS cabinet stand32, 66
Paper towel dispenser, sink.....33, 34, 62, 147
Pass-thru cocktail stations 7-12
 Assembly 9-10
 Complete11
 Disassembly.....10
Pass-thru coolers (see Coolers)
Pass-thru ice bins16, 52
Portable bars..... 13-14
Power pack, beer..... 123-124
Pull-Out Wine Shelves..... (see Coolers)

R
Reach-in mug froster..... 105-112
Recessed drainboards.....26, 56
Refrigerated Wine Drawers..... (see Coolers)
Register stand, underbar, POS32, 66
Regulators82
Remote coolers..... (see Coolers)
Rinser faucet
 Blender station.....23
 Drop-in39
 Mixology stations37
 Mixology units36, 64
 Undercounter mount.....39
 Stand alone39
Rinser faucet extension (beer tower) . 125-133,
 135-144
Rotary Wine Shelf.....71, 73, 97

S
Shallow depth coolers (see Coolers)
Shelf divider, clip-on.....71, 73, 75, 77, 79,
 87, 89, 91, 97, 99, 101, 103
Shelf retention rail.....71, 73, 75, 77, 91
Shelves
 Pull-Out..... See Pull-Out Wine Shelves
Side serviced coolers.....(See Coolers)
Side splash24, 55, 56, 57, 60, 61, 62, 63,
 64, 65, 147
Single speed rails22, 69
Sinks
 Blender station.....23, 55
 Covers.....35, 65
 Cabinets34, 63
 Compartment35, 65
 Drop-in148
 Hand33-34, 62
 Single bowl.....33-34, 62
 Towel ring.....34, 35, 55, 62, 63, 65
 Wall-mount147
 Wet waste.....33, 34, 62
 Wet waste strainer... 23, 33, 34, 35, 36, 55,
 62, 63, 64, 65, 147, 148
Slide top coolers..... (see Coolers)
Slide top mug frosters (see Coolers)
Slim Jim trash receptacle43, 68
Sneeze guard12
Soap dispenser, liquid34, 62
Soda gun holders.....19, 53
Soda gun holder, undercounter mount .20, 54
Soda manifold housings.....20, 54
Spec sheets specs.glastender.com
Specialty ice bins153
Speed rails
 Clip-on.....22
 Double22, 69
 Locking covers22, 69
 Single.....22, 69
Stemware Rack6
Surface-Mount Drain Pan134

T
Three compartment sinks.....35, 65
Towel ring24, 34, 35, 45, 46, 55,
 62, 63, 65, 152
Towers, beer
 Black Forest.....136
 Braumeister137
 Bridge127
 Cobra135
 Column125
 Double-sided128
 Mini Mushroom.....139
 Monaco138
 Mushroom140
 Pipe Bridge.....129
 Pipe Cantilever130
 Pipe Pass-Thru.....131
 Pipe Tee132
 Pipe Wall133
 Rembrandt142
 Rinse faucet extension . 125-133, 135-144
 Roman141
 Tee126
 Undercounter145
 Vienna.....143
 Wall mount145
 Wood barrel146
 Zeus144
Trash receptacle
 Gray plastic.....34, 43, 62, 63
 Slim Jim.....43, 68
 Stainless steel34, 43, 62, 63
Tubing chase
 Accessory, drainboard25
 All-in-one45
 Ice bin.....16, 17
 Underbar47, 54
Two compartment sinks35, 65
Two zone cooler..... (see Coolers)

U
Under cabinet (Add-on cabinet base)32
Underbar - Choice by Glastender 49-70
Underbar compartment sinks35, 65
Underbar ice cream freezer44
Undercounter mount soda gun holder .20, 54
Undercounter mount rinser faucet39

W
Wall Cabinet.....153
Wall-Mount Hand Sinks.....147
Wall-Mount Refrigerators150
Wet waste
 Sinks33, 34, 62
 Strainer23, 33, 34, 36, 55,
 62, 63, 64, 147, 148
Wine accessories for cooler82
Wine rack shelves71, 73, 75, 77, 79,
 87, 89, 91, 97, 99, 101, 103
Wine storage
 Refrigerated drawers (see Coolers)
 Wine shelves, pull-out (see Coolers)
 Rotary shelf71, 73, 97
Wrist Handles.....34, 62, 63, 147, 148

Warranty

APPLICABLE TO ALL PRODUCTS SOLD WITHIN THE UNITED STATES AND CANADA

Glastender, Inc. warrants all products to be free of defects in material and workmanship. One-year labor and parts warranty applies to all glasswashers, self-contained refrigeration models, and BDS model bottle disintegration units. In established areas, a start up is included with GT-24 and GT-30 model glasswashers. Warranty is effective for one year from the date of installation or up to 18 months from date of factory shipment, whichever occurs sooner. Glastender, Inc. will replace any part or assembly found defective under normal use and service.

For warranty labor claims beyond 12 months from the date of factory shipment, proof of date of installation or occupancy must be provided. Authorization for labor must be obtained from Glastender within the warranty period and prior to the service being performed.

Labor warranty applies to the 50 states of the USA and Canada only.

Remote refrigeration models exclude the labor warranty for the condensing unit and issues related to the field installation and test of the completed refrigeration system, provided by others.

Field replacement parts not covered under the original warranty include a 90-day part warranty from the date of installation.

FOUR YEAR ADDITIONAL COMPRESSOR WARRANTY

Glastender will warrant to the original user the compressor for all self-contained refrigeration models for an additional four years following the regular one-year warranty period. This plan applies to the compressor only.

A completed warranty claim form **MUST** accompany all returned defective parts or assemblies. Upon request, a defective part or assembly must be returned to Glastender, Inc., Saginaw, Michigan, with all transportation and delivery charges prepaid. Warranty repairs or replacements will be shipped FOB factory in Saginaw, Michigan. Reimbursement for applicable freight charges covers ground service only.

Glastender provides in-warranty repairs during a service company's regular working days and hours. There is no provision for payment of a premium rate during "overtime" hours. When warranty service is requested during other than normal working hours, the end user will be charged the premium portion of the overtime rate.

The warranty covers substantiated travel expenses for up to 2 hours / 100 miles round trip up to a maximum of \$225. Any additional costs due to installations that require extra work, time, or travel to gain access for service are the sole responsibility of the equipment purchaser. Any exceptions to these travel and access limitations must be pre-approved by a factory representative.

The warranty does not cover door gaskets, chemical tubing, pump squeeze tubing, and/or any equipment subjected to accidents, freight damage, alterations from the original design, improper power and/or plumbing hookups, improper chemical use, general misuse, or lack of routine required maintenance as determined by Glastender, Inc. Installation, normal control adjustments, general maintenance, correcting an installation error, or service calls that reveal the unit is functioning normally will not be reimbursed under warranty.

Condenser coils on self-contained refrigeration products must be cleaned regularly. Failure to provide adequate air flow to a refrigeration unit will void the warranty.

Glastender shall not be liable for loss of use, revenue, or profit, or for any other indirect, incidental, special, or consequential damage including, but not limited to, product spoilage or loss.

This warranty is conditioned upon Glastender receiving notice of any defect subject to this warranty within sixty (60) days of its discovery by the end user or dealer. All products are warranted only for the initial place of installation. Removal of a product automatically terminates this warranty.

SECOND YEAR EXTENDED PARTS & LABOR WARRANTY

Glastender's one-year parts and labor warranty on self-contained refrigeration units can be extended to two years with the purchase of a two year parts and labor warranty. Specify part number EWR2 (\$250 net price) when ordering.

EXPORT WARRANTY - One year parts only.

EXCLUSION OF WARRANTIES

EXCEPT AS PROVIDED ABOVE, GLASTENDER MAKES NO WARRANTIES, EXPRESS OR IMPLIED, INCLUDING, BUT NOT LIMITED TO, ANY IMPLIED WARRANTY OF MERCHANTABILITY, FITNESS FOR A PARTICULAR PURPOSE OR NON-INFRINGEMENT.

LIMITATION OF REMEDIES AND DAMAGES

If Buyer makes a valid and timely claim as outlined above, Glastender's liability and Buyer's remedies under this agreement will be limited solely to labor charges authorized and/or replacement or credit, at Glastender's option, with respect to Products returned at Buyer's expense within thirty (30) days after warranty repair. GLASTENDER'S LIABILITY WILL IN NO EVENT BE GREATER IN AMOUNT THAN THE PURCHASE PRICE OF THE RETURNED PRODUCTS. GLASTENDER WILL NOT BE LIABLE UNDER ANY CIRCUMSTANCE FOR CONSEQUENTIAL OR INCIDENTAL DAMAGES, INCLUDING, BUT NOT LIMITED TO, LABOR COSTS EXCEPT AS COVERED UNDER OUR WARRANTY, LOST PROFITS OR THE LOSS OF PERISHABLE PRODUCTS RESULTING FROM THE USE OF OR INABILITY TO USE OUR PRODUCTS OR FROM OUR PRODUCTS' INCORPORATION INTO OR BECOMING A COMPONENT OF ANY OTHER PRODUCT. NEITHER PARTY WILL HAVE ANY NEGLIGENCE OR OTHER TORT LIABILITY TO THE OTHER, OR TO ANY THIRD PARTY, ARISING FROM ANY BREACH OF THIS AGREEMENT.

GOVERNING LAW - JURISDICTION

The terms and conditions of an order are to be governed and construed according to the laws of the State of Michigan, without regard to conflict of laws principles. Buyer hereby consents to the jurisdiction and venue of the courts located in Saginaw County, Michigan.

No representative, distributor, dealer, or any other person is authorized to modify this warranty. This warranty replaces all other written or verbal warranties.

NOTE: Glastender, Inc.'s policy of constant quality improvement means that prices, specifications, and policies are subject to change without notice. Questions regarding this warranty should be directed to Glastender's Warranty Administrator.

02-16-23

IMPORTANT!!

Attention Service Companies

Please review the important warranty information on this page. If you believe a service call should be covered by the factory, please call the factory for authorization between 8AM and 5PM EST, Monday through Friday.

Glastender®

Expect More. More Flexibility. More Features.



Do you have the Proper Pour Advantage?

Whether you're serving beer, coffee, wine, or cocktails on draft – expect more with Glastender's high-yield beverage dispensing systems. Scan the code to view more on our beverage dispensing solutions, including products, and spec sheets.



info@glastender.com | 800.748.0423 | glastender.com

20240103